

Crystal Clock Oscillators - Leaded



KXO-01 Series:

TTL DRIVE-TTL Compatible

f_o : 8 to 50MHz



HOW TO ORDER

KXO-01 - 1 - 32.0000M T

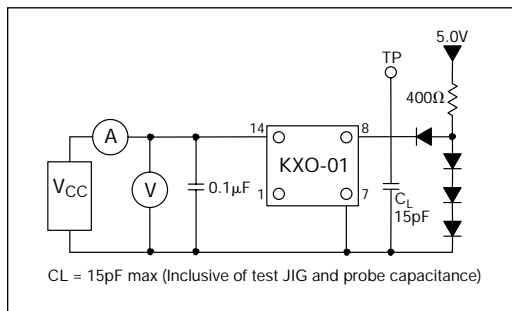
① ② ③ ④

- ① **Type:** (Kyocera Crystal Oscillators)
- ② **Frequency Precision:** 0 = ± 50 ppm (special)
1 = ± 100 ppm
- ③ **Frequency**
- ④ **Standard Packaging:** T = tube (25 pcs.)

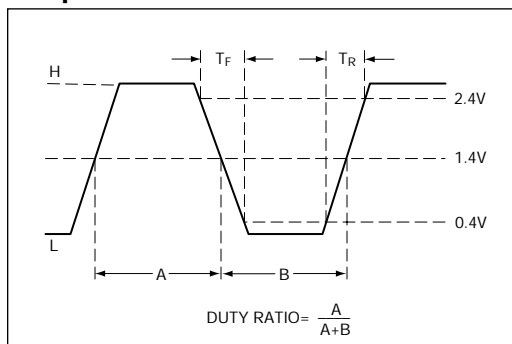
Specifications

CLASSIFICATION	CODE	RATING	UNIT	REMARKS
Output Frequency	f_{OUT}	8-50	MHz	-----
Frequency Precision	$\Delta f/f$	0 : ± 50 1 : ± 100	ppm	$T_a=0\sim+70^\circ\text{C}$
Aging Rate	$\Delta f/f$	± 5	ppm/y	-----
Operating Temp.	T_{OPR}	0~+70	$^\circ\text{C}$	-----
Storage Temp.	T_{STR}	-55~+125	$^\circ\text{C}$	-----
Supply Voltage	V_{CC}	5 \pm 0.5	V	-----
Supply Current	I_{CC}	35 max.	mA	$C_L=15\text{pF}$, • 10TTL Load, Temp.=25 $^\circ\text{C}$
Output	Duty Ratio	S_y	40~60	% 1.4V DC Level
	Output 0 Level	V_{OL}	0.4 max.	$I_{OL}=16\text{mA}$
	Output 1 Level	V_{OH}	2.4 min.	$I_{OH}=400\mu\text{A}$
	Rise/Fall Time	T_R, T_F	15 max.	nsec
10 max.			nsec	32.1~50MHz
Fan Out	-----	1~10	TTL	-----

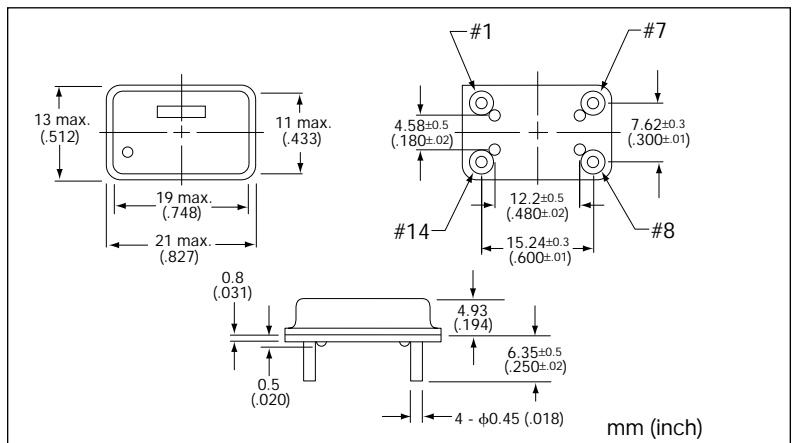
Test Circuit



Output Wave



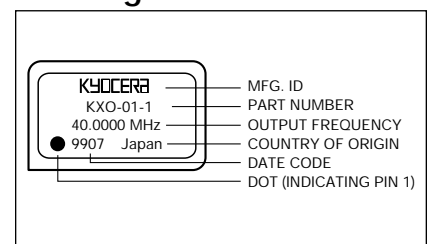
Dimensions and PIN Identification



Pin Connection

Pad #	Function
1	N.C.
7	CASE GND
8	OUTPUT
14	V_{CC}

Marking



Additional information on this product is available from AVX's catalog or AVX's FAX Service. Call 1-800-879-1613 and request document #139. Visit our website <http://www.avxcorp.com>

