

Crystal Clock Oscillators - Leaded



KXO-01 Series:

TTL DRIVE-TTL Compatible

f_o : 8 to 50MHz



HOW TO ORDER

KXO-01 - 1 - 32.0000M T

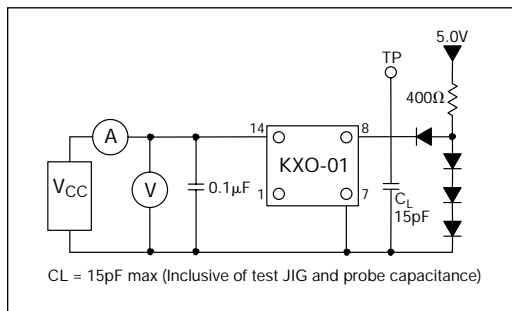
① ② ③ ④

- ① **Type:** (Kyocera Crystal Oscillators)
- ② **Frequency Precision:** 0 = ± 50 ppm (special)
1 = ± 100 ppm
- ③ **Frequency**
- ④ **Standard Packaging:** T = tube (25 pcs.)

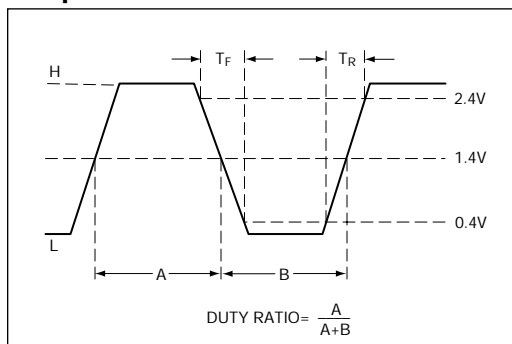
Specifications

| CLASSIFICATION | CODE | RATING | UNIT | REMARKS |
|---------------------|----------------|-------------------------------|------------------|---|
| Output Frequency | f_{OUT} | 8-50 | MHz | ----- |
| Frequency Precision | $\Delta f/f$ | 0 : ± 50 1 : ± 100 | ppm ppm | $T_a=0\sim+70^\circ\text{C}$ |
| Aging Rate | $\Delta f/f$ | ± 5 | ppm/y | ----- |
| Operating Temp. | T_{OPR} | 0~+70 | $^\circ\text{C}$ | ----- |
| Storage Temp. | T_{STR} | -55~+125 | $^\circ\text{C}$ | ----- |
| Supply Voltage | V_{CC} | 5 \pm 0.5 | V | ----- |
| Supply Current | I_{CC} | 35 max. | mA | $C_L=15\text{pF}$, • 10TTL Load, Temp.=25 $^\circ\text{C}$ |
| Output | Duty Ratio | S_y | 40~60 | % 1.4V DC Level |
| | Output 0 Level | V_{OL} | 0.4 max. | V $I_{OL}=16\text{mA}$ |
| | Output 1 Level | V_{OH} | 2.4 min. | V $I_{OH}=400\mu\text{A}$ |
| | Rise/Fall Time | T_R, T_F | 15 max. | nsec |
| 10 max. | | | nsec | 32.1~50MHz |
| Fan Out | ----- | 1~10 | TTL | ----- |

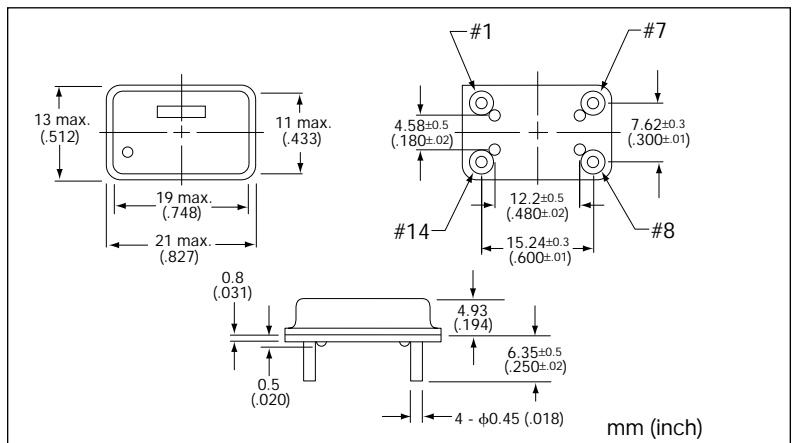
Test Circuit



Output Wave



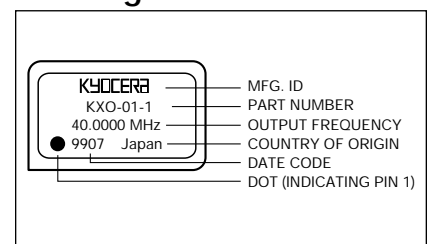
Dimensions and PIN Identification



Pin Connection

| Pad # | Function |
|-------|----------|
| 1 | N.C. |
| 7 | CASE GND |
| 8 | OUTPUT |
| 14 | V_{CC} |

Marking



Additional information on this product is available from AVX's catalog or AVX's FAX Service. Call 1-800-879-1613 and request document #139. Visit our website <http://www.avxcorp.com>

