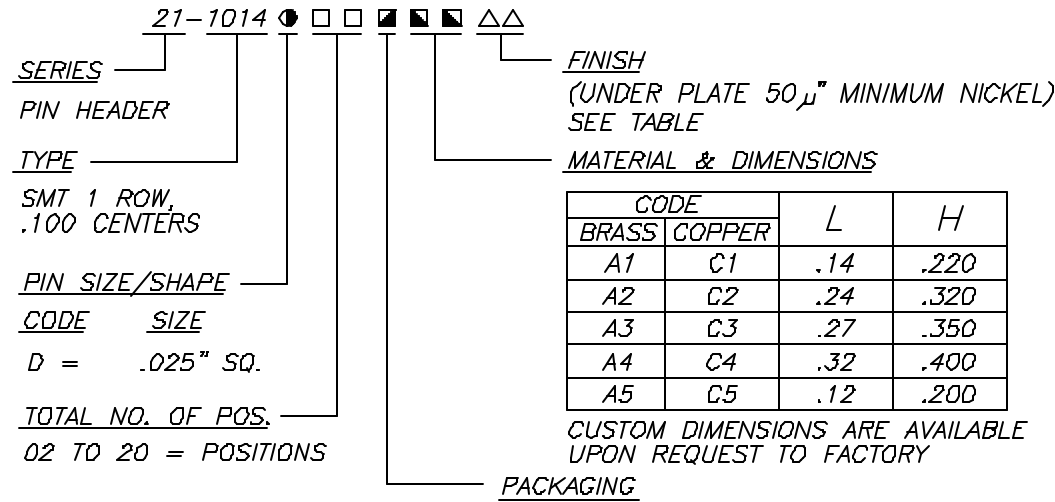


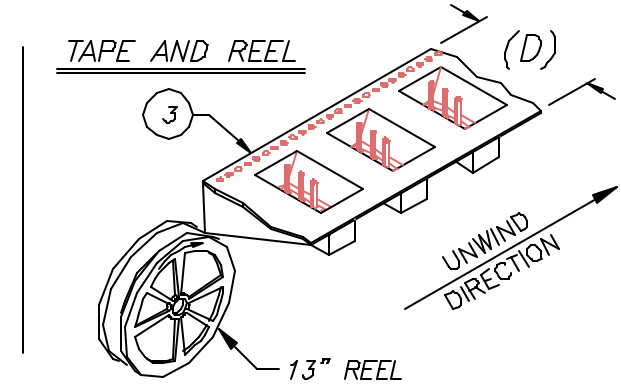
PART NUMBER	B	C	(D)	TAPE PITCH
21-1014 02	.100	.18	(.630)	.315 [8mm]
03	.200	.28	[16mm]	
04	.300	.38	(.945)	
05	.400	.48	[24mm]	
06	.500	.58		
07	.600	.68	(1.260)	.472 [12mm]
08	.700	.78	[32mm]	
09	.800	.88		
10	.900	.98	(1.732)	
11	1.00	1.08	[44mm]	
12	1.100	1.18		
13	1.200	1.28		
14	1.300	1.38		
15	1.400	1.48	(2.205)	
16	1.500	1.58	[56mm]	
17	1.600	1.68		
18	1.700	1.78	(2.835)	
19	1.800	1.88	[72mm]	
21-1014 20	1.900	1.98		

PART NO./ ORDERING CODE

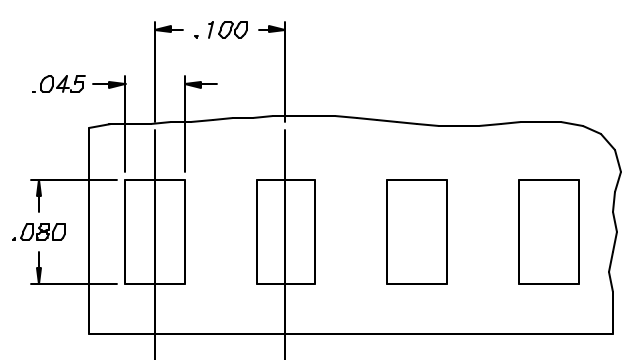
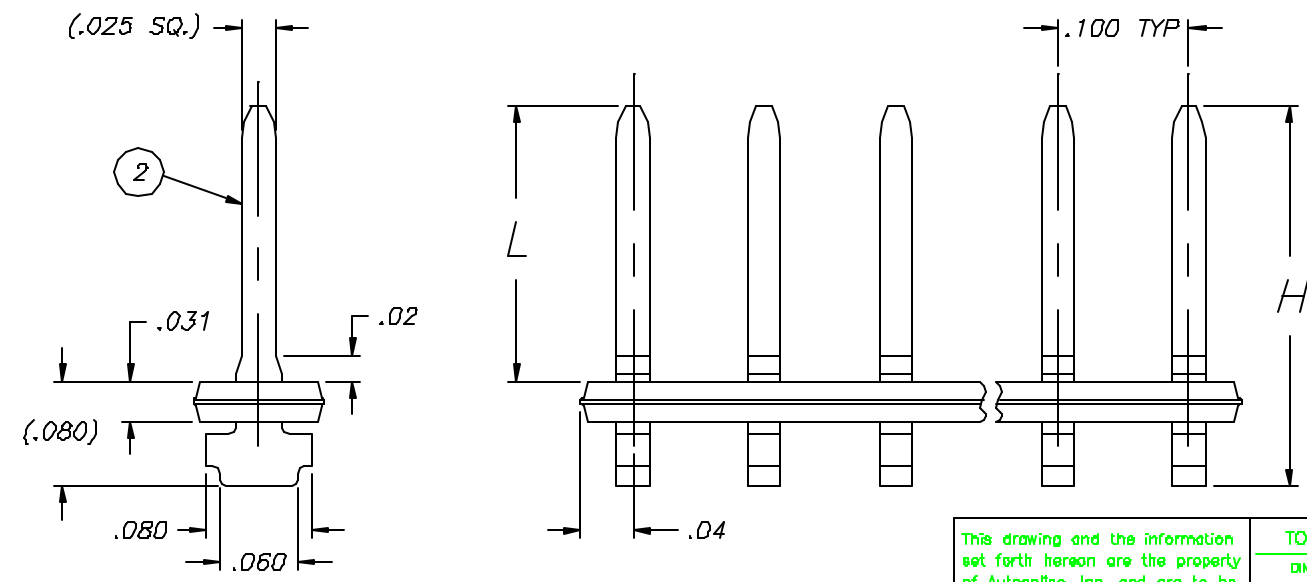
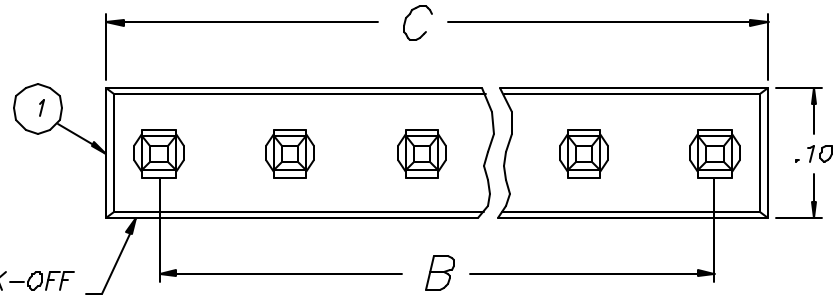


REV	REVISION RECORD	ECN	BY	APVD	DATE
G	REMOVED VAR. 21-40, REVISED P/N O/C	15236	JMc	PVB	12-97
H	ADDED 12mm PITCH TAPE	15716	MNH	PVB	09-98
J	ADDED A5 DIM. CODE	15969	CVD	PVB	11-98
K	ADDED TAPE DIM CODE A1 & A5.	16290	CVD	PVB	03-99
L	ADDED COPPER VARIATION	500044	TM	PVB	11-99

FINISH	
CODE	DESCRIPTION
AA	120μ" MIN TIN/LEAD ALL OVER
BA	3μ" MIN GOLD MATING END, 120μ" MIN TIN/LEAD BASE
CA	10μ" MIN GOLD MATING END, 120μ" MIN TIN/LEAD BASE
EA	30μ" MIN GOLD MATING END, 120μ" MIN TIN/LEAD BASE
FA	3μ" MIN Au OVER 12μ" MIN 80/20 Pd Ni MATING END, 120μ" MIN TIN/LEAD BASE



* CONSULT FACTORY FOR AVAILABILITY



RECOMMENDED SOLDER PADS

- MATERIAL:**
- ① **INSULATOR:**
FR-4 GLASS FILLED EPOXY,
FLAMMABILITY RATED: UL 94V-0
COLOR: BLACK
 - ② **PIN:**
SEE PART NO./ORDERING CODE
 - FINISH:**
SEE PART NO./ORDERING CODE
 - ③ **TAPE:**
BLACK (ANTI-STATIC)

CUSTOMER DRAWING

This drawing and the information set forth herein are the property of Autossplice, Inc. and are to be held in trust and confidence. Publication, duplication, disclosure, or use for any purpose not expressly authorized in writing by Autossplice, Inc. is prohibited.

TOLERANCES	DIMS IN INCHES	APPROVED	DATE
DECIMAL:	XX = ±.01 XXX = ±.005	J Mc	05-07-98
ANGULAR	±1°	PVB	05-07-98
HEADERS, SMT PIN .100 SPACING, 1 ROW			
C	OAE89	C21-1014	L
10:1	C21-1014.DWG		

4

3

2

1

4

3

2

1