

Introduction

Lattice Semiconductor Corporation (LSC) offers the most comprehensive line of high- and low-density military E²CMOS Programmable Logic Devices. LSC recognizes the trend in military device procurement towards

using SMD compliant devices and encourages customers to use the SMD number where it exists, when ordering parts. Listed below are LSC's military qualified devices and their corresponding SMD numbers. Please contact your local Lattice representative for the latest product listing.

Military Products Selector Guide

Family	Part #	SMD #	Tpd (ns)	Fmax (MHz)	Icc		Package
					Typ (mA)	Max (mA)	
ispLSI	ispLSI 1016-60LH/883	5962-9476201MXC	20	60	100	170	44-Pin JLCC
	ispLSI 1024-60LH/883	5962-9476101MXC	20	60	135	220	68-Pin JLCC
	ispLSI 1032-60LG/883	5962-9308501MXC	20	60	135	220	84-Pin CPGA
	ispLSI 1048C-50LG/883	5962-9558701MXC	22	50	165	235	133-Pin CPGA
GAL16V8	GAL16V8D-7LD/883	5962-8983907RA	7.5	100	75	130	20-Pin CERDIP
	GAL16V8D-7LR/883	5962-89839072A	7.5	100	75	130	20-Pin LCC
	GAL16V8D-10LD/883	5962-8983904RA	10	62.5	75	130	20-Pin CERDIP
	GAL16V8D-10LR/883	5962-89839042A	10	62.5	75	130	20-Pin LCC
	GAL16V8D-15LD/883	5962-8983903RA	15	50	75	130	20-Pin CERDIP
	GAL16V8D-15LR/883	5962-89839032A	15	50	75	130	20-Pin LCC
	GAL16V8D-20LD/883	5962-8983902RA	20	41.6	75	130	20-Pin CERDIP
	GAL16V8D-20LR/883	5962-89839022A	20	41.6	75	130	20-Pin LCC
GAL20V8	GAL16V8D-30LD/883	5962-8983901RA	30	33.3	75	130	20-Pin CERDIP
	GAL20V8B-10LD/883	5962-8984004LA	10	62.5	75	130	24-Pin CERDIP
	GAL20V8B-10LR/883	5962-89840043A	10	62.5	75	130	28-Pin LCC
	GAL20V8B-15LD/883	5962-8984003LA	15	50	75	130	24-Pin CERDIP
	GAL20V8B-15LR/883	5962-89840033A	15	50	75	130	28-Pin LCC
	GAL20V8B-20LD/883	5962-8984002LA	20	41.6	75	130	24-Pin CERDIP
GAL22V10	GAL20V8B-20LR/883	5962-89840023A	20	41.6	75	130	28-Pin LCC
	GAL22V10D-10LD/883	5962-8984106LA	10	166	90	150	24-Pin CERDIP
	GAL22V10D-10LR/883	5962-89841063A	10	166	90	150	28-Pin LCC
	GAL22V10D-15LD/883	5962-8984103LA	15	62.5	90	150	24-Pin CERDIP
	GAL22V10D-15LR/883	5962-89841033A	15	62.5	90	150	28-Pin LCC
	GAL22V10D-20LD/883	5962-8984102LA	20	33	90	150	24-Pin CERDIP
	GAL22V10D-20LR/883	5962-89841023A	20	33	90	150	28-Pin LCC
	GAL22V10D-25LD/883	5962-8984104LA	25	33	90	150	24-Pin CERDIP
GAL22V10D-30LD/883	5962-8984101LA	30	25	90	150	24-Pin CERDIP	

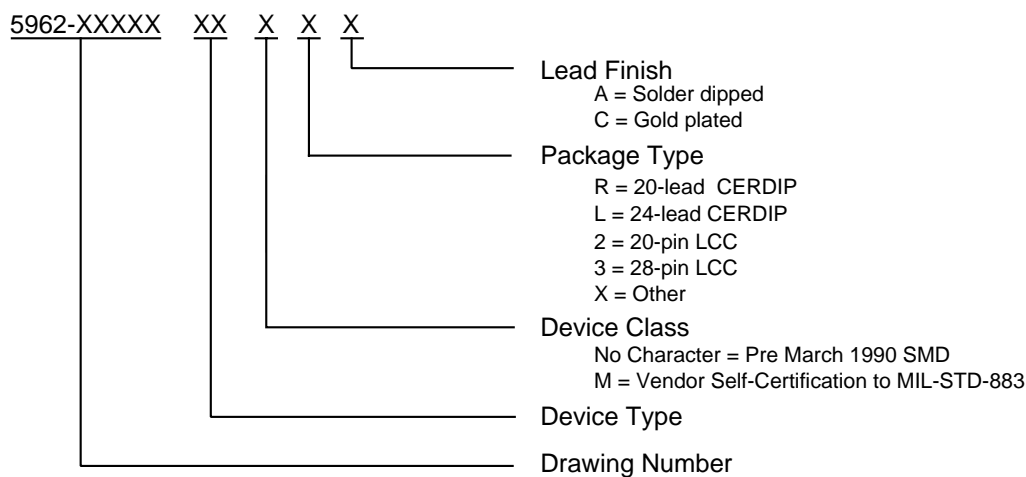
Military Ordering Information

DESC Standard Military Drawing Listing

SMD #	LATTICE PART #
5962-8983901RA	GAL16V8D-30LD/883
5962-89839022A	GAL16V8D-20LR/883
5962-8983902RA	GAL16V8D-20LD/883
5962-89839032A	GAL16V8D-15LR/883
5962-8983903RA	GAL16V8D-15LD/883
5962-89839042A	GAL16V8D-10LR/883
5962-8983904RA	GAL16V8D-10LD/883
5962-89839072A	GAL16V8D-7LR/883
5962-8983907RA	GAL16V8D-7LD/883
5962-89840023A	GAL20V8B-20LR/883
5962-8984002LA	GAL20V8B-20LD/883
5962-89840033A	GAL20V8B-15LR/883
5962-8984003LA	GAL20V8B-15LD/883
5962-89840043A	GAL20V8B-10LR/883
5962-8984004LA	GAL20V8B-10LD/883

SMD #	LATTICE PART #
5962-8984101LA	GAL22V10D-30LD/883
5962-89841023A	GAL22V10D-20LR/883
5962-8984102LA	GAL22V10D-20LD/883
5962-89841033A	GAL22V10D-15LR/883
5962-8984103LA	GAL22V10D-15LD/883
5962-8984104LA	GAL22V10D-25LD/883
5962-89841063A	GAL22V10D-10LR/883
5962-8984106LA	GAL22V10D-10LD/883
5962-9308501MXC	ispLSI 1032-60LG/883
5962-9476101MXC	ispLSI 1024-60LH/883
5962-9476201MXC	ispLSI 1016-60LH/883
5962-9558701MXC	ispLSI 1048C-50LG/883

Standard Military Drawing Number Description



Mouser Electronics

Authorized Distributor

Click to View Pricing, Inventory, Delivery & Lifecycle Information:

Lattice:

[5962-89839022A](#) [5962-8984004LA](#) [5962-89839072A](#) [5962-89841033A](#) [5962-8984101LA](#) [5962-89840033A](#) [5962-89840043A](#) [5962-8983904RA](#) [5962-8984002LA](#) [5962-8983907RA](#) [5962-8983901RA](#) [5962-8983902RA](#) [5962-8984106LA](#) [5962-89839032A](#) [5962-8984104LA](#) [5962-89840023A](#) [5962-8984003LA](#) [5962-8983903RA](#) [5962-89841023A](#) [5962-8984103LA](#) [5962-89841063A](#) [5962-89839042A](#) [5962-8984102LA](#)