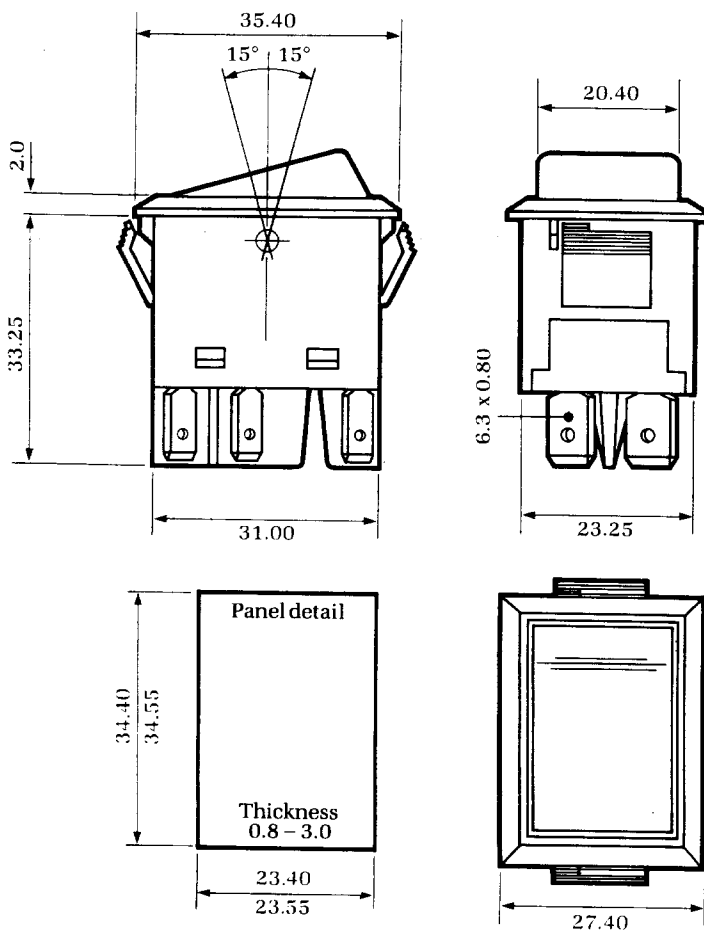
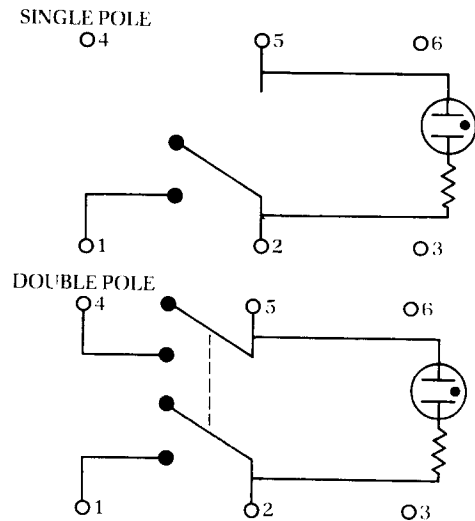


RS Stock Nos; 334-606, 334-599, 334-583, 334-577, 664-935 & 664-941.



INDICATOR LIGHT

The integral indicator light is a neon with a voltage modifying resistor in series connected internally across pins 2 and 5 as illustrated:-



TERMINALS

Terminals are 6.3 mm quick connect type. Wires may be soldered to these terminals if preferred.

SPECIFICATION

MATERIALS

Bezel	Polycarbonate
Rocker	Polycarbonate or ABS
Body	Polyester
Lens	Polycarbonate
Terminals	Brass, Silver Plated
Armature	Copper, Silver Plated
Contacts	90% Silver 10% Cadmium

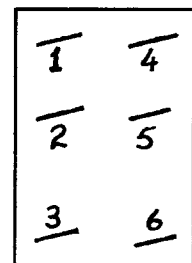
PERFORMANCE

16 Amps Resistive 250V AC
4 Amps Inductive 250V AC
Max Working Temperature +85°C.

LIFE

Mechanical Life: 100,000 operations
At Full Rating: 10,000 operations

Rear view of switch showing terminal numbering



PANEL HOLE DETAILS

Illustrations show minimum recommended panel hole separation for adjacent fitting of switches

