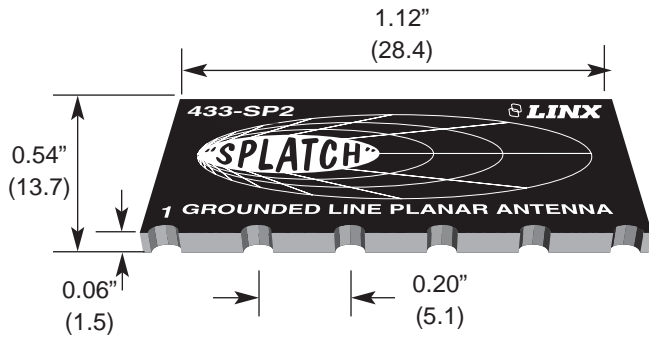
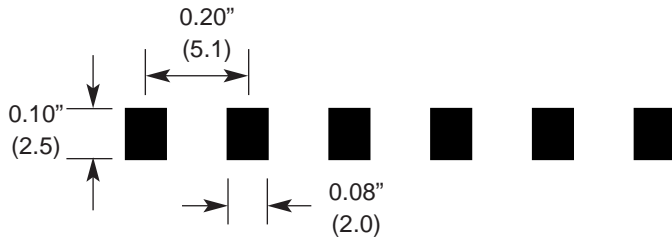


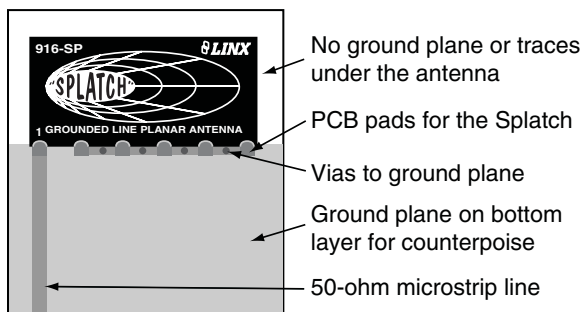
Product Dimensions



Recommended Footprint



Recommended Mounting



Description



The Splat uses a grounded-line technique to achieve outstanding performance from a tiny surface-mount element. This unique antenna is designed for hand- or reflow-mounting directly to a product's circuit board. Its low cost makes it ideal for volume applications. Unlike many compact antennas, the Splat exhibits good proximity performance, making it an appropriate choice for handheld applications such as remote controls, pagers, and alert devices.

Features

- Very low cost
- Ultra-compact package
- Direct PCB attachment
- Ideal for concealed / internal mounting
- Perfect for compact portable devices
- Suitable for hand- or reflow-assembly
- Resistant to proximity effects

Electrical Specifications

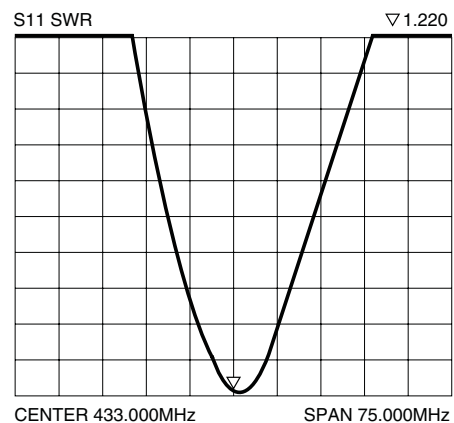
- Center Freq. 433MHz
- Bandwidth 8MHz
- Wavelength 1/4-wave
- VSWR ≤ 1.9 typ. at center
- Impedance 50 ohms
- Connection Surface-mount

Electrical specifications and plots measured on 1.50" x 3.30" reference ground plane

Ordering Information

- ANT-433-SP (supplied in tubes of 20 pieces)

VSWR Graph



Typical VSWR