

FEATURES

256-position
+2.7V to +30V Single Supply Operation
±2.7V to ±15V Dual Supply Operation
End-to-end resistance 10 kΩ, 50 kΩ, 100 kΩ
Low temperature coefficient 35 ppm/°C
Power-on preset to midscale
SPI compatible interface
Automotive temperature range -40°C to +105°C
Compact MSOP-10 (3 mm × 4.9 mm) package

APPLICATIONS

Programmable Gain and Offset
Programmable Power Supply
Industrial Actuator Control
LED Array Driver
Audio Volume Control
General Purpose DAC Replacement
Mechanical Potentiometer Replacement

GENERAL OVERVIEW

The AD5290 is a low cost, compact 2.9 mm × 3 mm +30V/±15V, 256-position digital potentiometer. This device performs the same electronic adjustment function as mechanical potentiometers or variable resistors, with enhanced resolution, solid-state reliability, and superior low temperature coefficient performance.

The wiper settings are controllable through an SPI compatible digital interface. The resistance between the wiper and either end point of the fixed resistor varies linearly with respect to the digital code transferred into the RDAC latch.

The AD5290 is available in 10k, 50k, and 100kΩ in compact

MSOP-10 package. AD5290 can be operated from a single supply +2.7 V to +30 V or dual supply ±2.7 V to ±15 V. All parts are guaranteed to operate over the automotive temperature range of -40°C to +105°C.

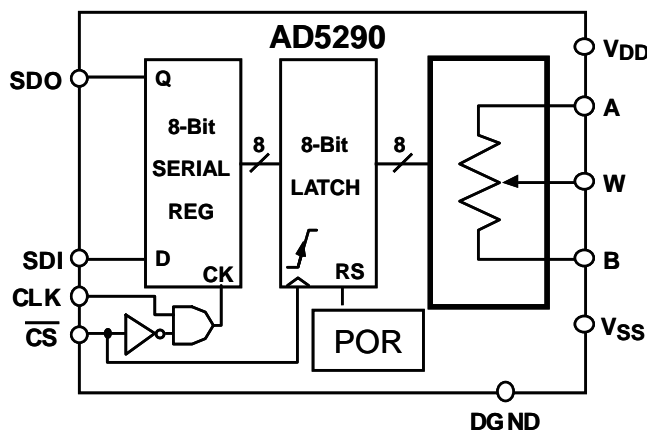
FUNCTIONAL BLOCK DIAGRAM


Figure 1.

Note:
 The terms *digital potentiometer* and *RDAC* are used interchangeably.

Rev. PrC

Information furnished by Analog Devices is believed to be accurate and reliable. However, no responsibility is assumed by Analog Devices for its use, nor for any infringements of patents or other rights of third parties that may result from its use. Specifications subject to change without notice. No license is granted by implication or otherwise under any patent or patent rights of Analog Devices. Trademarks and registered trademarks are the property of their respective companies.

ELECTRICAL CHARACTERISTICS—10 k Ω , 50 k Ω , 100 k Ω VERSIONS(V_{DD}/V_{SS} = $\pm 15V \pm 10\%$ or $\pm 5V \pm 10\%$, V_A = +V_{DD}, V_B = V_{SS}/0V, -40°C < T_A < +105°C unless otherwise noted)**Table 1.**

Parameter	Symbol	Conditions	Min	Typ ¹	Max	Unit
DC CHARACTERISTICS—RHEOSTAT MODE						
Resistor Differential Nonlinearity ²	R-DNL	R _{WB} , V _A = no connect	-1	± 0.1	+1	LSB
Resistor Integral Nonlinearity ²	R-INL	R _{WB} , V _A = no connect	-2	± 0.25	+2	LSB
Nominal Resistor Tolerance ³	ΔR_{AB}	T _A = 25°C	-30		+30	%
Resistance Temperature Coefficient	$(\Delta R_{AB}/R_{AB})/\Delta T \cdot 10^6$	V _{AB} = V _{DD} , Wiper = no connect		35		ppm/°C
Wiper Resistance	R _W	V _{DD} = 30 V V _{DD} = 5 V		50 200	120 400	Ω Ω
DC CHARACTERISTICS—POTENTIOMETER DIVIDER MODE						
Resolution	N				8	Bits
Differential Nonlinearity ⁴	DNL		-1	± 0.1	+1	LSB
Integral Nonlinearity ⁴	INL		-1	± 0.3	+1	LSB
Voltage Divider Temperature Coefficient	$(\Delta V_W/V_W)/\Delta T \cdot 10^6$	Code = 0x80		5		ppm/°C
Full-Scale Error	V _{WFSE}	Code = 0xFF	-3	-1	0	LSB
Zero-Scale Error	V _{WZSE}	Code = 0x00	0	1	3	LSB
RESISTOR TERMINALS						
Voltage Range ⁵	V _{A,B,W}		V _{SS}		V _{DD}	V
Capacitance ⁶ A, B	C _{A,B}	f = 1 MHz, measured to GND, Code = 0x80		45		pF
Capacitance ⁶ W	C _W	f = 1 MHz, measured to GND, Code = 0x80		60		pF
Common-Mode Leakage	I _{CM}	V _A = V _B = V _W		1		nA
DIGITAL INPUTS AND OUTPUTS						
Input Logic High	V _{IH}	V _{DD} = +5V or +15V	2.4			V
Input Logic Low	V _{IL}	V _{DD} = +5V or +15V			0.8	V
Output Logic High	V _{OH}	R _L = 2.2 k Ω to +5 V	4.9			V
Output Logic Low	V _{OL}	I _{OL} = 1.6mA, V _{LOGIC} = +5V, V _{DD} = +15V			0.4	V
Input Current	I _I	V _{IN} = 0 V or +15 V			± 1	μ A
Input Capacitance	C _I			5		pF
POWER SUPPLIES						
Power Supply Range	V _{DD} /V _{SS}	Dual Supply Range	± 2.7		± 16.5	V
Power Supply Range	V _{DD}	Single Supply Range, V _{SS} = 0 V	+2.7		+30	V
Supply Current ⁶	I _{DD}	V _{IH} = 5 V or V _{IL} = 0 V, V _{DD} = +5 V		0.1	10	μ A
Supply Current	I _{DD}	V _{IH} = 5 V or V _{IL} = 0 V, V _{DD} = +15 V		0.75	2	mA
Supply Current	I _{SS}	V _{IH} = 5 V or V _{IL} = 0 V, V _{SS} = - 5 V or -15 V		0.02	0.1	mA
Power Dissipation ⁷	P _{DISS}	V _{IH} = 5 V or V _{IL} = 0 V, V _{DD} = +15 V, V _{SS} = -15 V		11	30	mW
Power Supply Sensitivity	PSS	ΔV_{DD} = +15V $\pm 10\%$, or ΔV_{SS} = -15V $\pm 10\%$, Code = Midscale		± 0.01	± 0.02	%/%
DYNAMIC CHARACTERISTICS^{6,8}						
Bandwidth -3dB	BW	R _{AB} = 10 k Ω /50 k Ω /100 k Ω , Code = 0x80		525/125/60		kHz

Total Harmonic Distortion	THD _w	V _A = 1 V rms, V _B = 0 V, f = 1 kHz, R _{AB} = 10 kΩ	0.05	%
V _w Settling Time (10 kΩ/50 kΩ/100 kΩ)	t _s	V _A = 5 V, V _B = 0 V, ±1 LSB error band	4	μs
Resistor Noise Voltage Density	e _{N_WB}	R _{WB} = 25 kΩ	14	nV/√Hz

TIMING CHARACTERISTICS— 10 k Ω , 50 k Ω , 100 k Ω VERSIONS

($V_{DD}/V_{SS} = \pm 15V \pm 10\%$ or $\pm 5V \pm 10\%$, $V_A = +V_{DD}$, $V_B = 0V$, $-40^\circ\text{C} < T_A < +105^\circ\text{C}$ unless otherwise noted.)

Table 2.

Parameter	Symbol	Conditions	Min	Typ ¹	Max	Unit
SPI INTERFACE TIMING CHARACTERISTICS ^{6,8,9} (Specifications Apply to All Parts)						
Clock Frequency	f_{CLK}				4	MHz
Input Clock Pulsewidth	t_{CH} , t_{CL}	Clock level high or low	120			ns
Data Setup Time	t_{DS}		30			ns
Data Hold Time	t_{DH}		20			ns
CLK to SDO Propagation Delay	t_{PD}	$R_{\text{PU}} = 1\text{K}\Omega$, $C_{\text{L}} < 20\text{pF}$	10		100	ns
$\overline{\text{CS}}$ Setup Time	t_{CSS}		120			ns
$\overline{\text{CS}}$ High Pulsewidth	t_{CSW}		150			ns
CLK Fall to $\overline{\text{CS}}$ Fall Hold Time	t_{CSH0}		TBD			ns
CLK Fall to $\overline{\text{CS}}$ Rise Hold Time	t_{CSH1}		120			ns
$\overline{\text{CS}}$ Rise to Clock Rise Setup	t_{CS1}		120			ns

NOTES

- Typical specifications represent average readings at $+25^\circ\text{C}$ and $V_{DD} = 5\text{V}$.
- Resistor position nonlinearity error R-INL is the deviation from an ideal value measured between the maximum resistance and the minimum resistance wiper positions. R-DNL measures the relative step change from ideal between successive tap positions. Parts are guaranteed monotonic.
- $V_{\text{AB}} = V_{\text{DD}}$, Wiper (V_{W}) = no connect.
- INL and DNL are measured at V_{W} with the RDAC configured as a potentiometer divider similar to a voltage output D/A converter. $V_{\text{A}} = V_{\text{DD}}$ and $V_{\text{B}} = 0\text{V}$.
- Resistor terminals A, B, W have no limitations on polarity with respect to each other.
- Guaranteed by design and not subject to production test.
- P_{DISS} is calculated from $(I_{\text{DD}} \times V_{\text{DD}} + I_{\text{SS}} \times V_{\text{SS}})$ CMOS logic level inputs result in minimum power dissipation.
- All dynamic characteristics use $V_{\text{DD}} / V_{\text{SS}} = \pm 5\text{V}$.
- See timing diagram for location of measured values. All input control voltages are specified with $t_{\text{R}} = t_{\text{F}} = 2\text{ns}$ (10% to 90% of 3 V) and timed from a voltage level of 1.5 V.

ABSOLUTE MAXIMUM RATINGS¹(T_A = +25°C, unless otherwise noted.)**Table 3.**

Parameter	Value
V _{DD} to V _{SS}	−0.3 V to +33 V
V _{DD} to GND	−0.3 V to +33 V
V _{SS} to GND	+0.3 V to −16.5 V
V _A , V _B , V _W to GND	V _{SS} , V _{DD}
Maximum Current	
I _{WB} , I _{WA} Pulsed	±20 mA
I _{WB} Continuous (R _{WB} ≤ 1 kΩ, A open) ¹	±5 mA
I _{WA} Continuous (R _{WA} ≤ 1 kΩ, B open) ¹	±5 mA
Digital Inputs Voltage to GND	V _{DD} + 0.3 V
Digital Output Voltage to GND	0 V, +30 V
Operating Temperature Range	−40°C to +105°C
Maximum Junction Temperature (T _{JMAX})	150°C

Storage Temperature	−65°C to +150°C
Lead Temperature (Soldering, 10 – 30 sec)	245°C
Thermal Resistance ² θ _{JA} : MSOP-10	230°C/W

NOTES

¹ Maximum terminal current is bounded by the maximum current handling of the switches, maximum power dissipation of the package, and maximum applied voltage across any two of the A, B, and W terminals at a given resistance.

² Package power dissipation = (T_{JMAX} − T_A)/θ_{JA}.

Stresses above those listed under Absolute Maximum Ratings may cause permanent damage to the device. This is a stress rating only and functional operation of the device at these or any other conditions above those indicated in the operational section of this specification is not implied. Exposure to absolute maximum rating conditions for extended periods may affect device reliability.

PIN CONFIGURATION AND FUNCTION DESCRIPTIONS

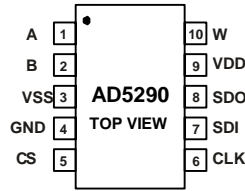


Figure 2. AD5290 Pin Configuration

Table 7. AD5290 Pin Function Descriptions

Pin	Menmonic	Description
1	A	A Terminal. $V_{SS} \leq V_A \leq V_{DD}$
2	B	B Terminal. $V_{SS} \leq V_B \leq V_{DD}$
3	V _{SS}	Negative Supply. Connect to zero volts for single supply applications.
4	GND	Digital Ground.
5	\overline{CS}	Chip Select Input, Active Low. When \overline{CS} returns high, data will be loaded into the Wiper Register
6	CLK	Serial Clock Input. Positive edge triggered
7	SDI	Serial Data Input Pin. Shifts in one bit at a time on positive clock CLK edges. MSB loaded first.
8	SDO	Serial Data Output Pin. Internal N-Ch FET with open-drain output that requires external pull-up resistor. It shifts out the previous 8 SDI bits that allows daisy-chain operation of multiple packages
9	V _{DD}	Positive Power Supply
10	W	W Terminal. $V_{SS} \leq V_W \leq V_{DD}$

SPI Interface

Table 4. AD5290 Serial Data-Word Format

B7	B6	B5	B4	B3	B2	B1	B0
D7	D6	D5	D4	D3	D2	D1	D0
MSB							LSB
2^7							2^0

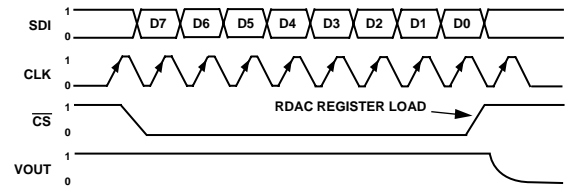


Figure 3. AD5290 SPI Interface Timing Diagram
 ($V_A = V_{DD}$, $V_B = 0\text{ V}$, $V_W = V_{OUT}$)

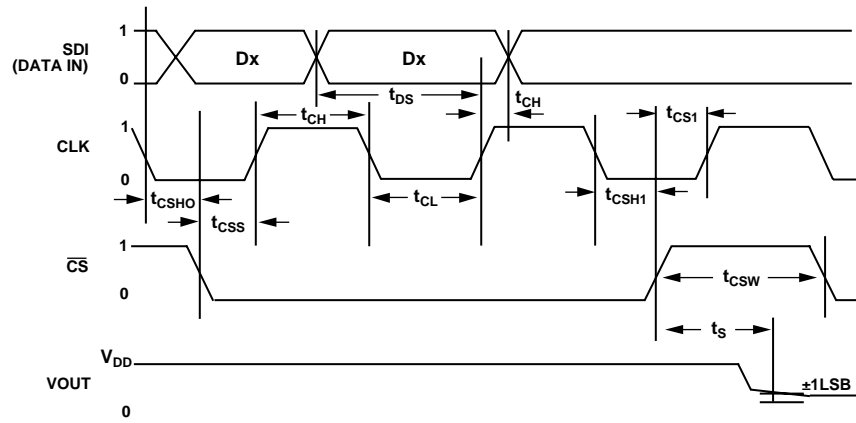


Figure 2. SPI Interface Detailed Timing Diagram ($V_A = V_{DD}$, $V_B = 0\text{ V}$, $V_W = V_{OUT}$)

OPERATION

The AD5290 is a 256-position digitally controlled variable resistor device that can be controlled digitally through SPI interface.

An internal power-on preset places the wiper at midscale during power-on, which simplifies the fault condition recovery at power-up.

DETERMINING THE VARIABLE RESISTANCE AND VOLTAGE

Rheostat Mode Operation

If only the W-to-B or W-to-A terminals are used as variable resistors, the unused terminal can be opened or shorted with W. This operation is called rheostat mode (Figure 3).

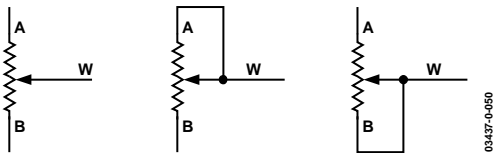


Figure 3. Rheostat Mode Configuration

The nominal resistance (R_{AB}) of the RDAC has 256 contact points accessed by the wiper terminal, plus the B terminal contact if R_{WB} is considered. The 8-bit data in the RDAC latch is decoded to select one of the 256 settings. Assuming that a 10 k Ω part is used, the wiper's first connection starts at the B terminal for data 0x00. Such connection yields a minimum of 60 Ω resistance between terminals W and B because of the 60 Ω wiper contact resistance. The second connection is the first tap point, which corresponds to 99 Ω ($R_{WB} = (1) \times R_{AB}/256 + R_W$) for data 0x01, and so on. Each LSB data value increase moves the wiper up the resistor ladder until the last tap point is reached at 10020 Ω ($(255) \times R_{AB}/256 + R_W$). Figure 6 shows a simplified diagram of the equivalent RDAC circuit. The general equation determining R_{WB} is

$$R_{WB}(D) = \frac{D}{256} \times R_{AB} + R_W \quad (1)$$

where:

D is the decimal equivalent of the 8-bit binary code.

R_{AB} is the end-to-end resistance.

R_W is the wiper resistance contributed by the on-resistance of the internal switch.

Table 1. R_{WB} vs. Codes; $R_{AB} = 10 \text{ k}\Omega$ and the A Terminal Is Opened

D (Dec)	R_{WB} (Ω)	Output State
255	10020	Full-Scale ($R_{AB} + R_W$)
128	5060	Midscale
1	99	1 LSB
0	60	Zero-Scale (Wiper Contact Resistance)

Since a finite wiper resistance of 60 Ω is present in the zero-scale condition, care should be taken to limit the current flow between W and B in this state to a maximum pulse current of no more than 20 mA. Otherwise, degradation or possible destruction of the internal switch contact can occur.

Similar to the mechanical potentiometer, the resistance of the RDAC between the wiper W and terminal A also produces a complementary resistance R_{WA} . When these terminals are used, the B terminal can be opened or shorted to W. Setting the resistance value for R_{WA} starts at a maximum value of resistance and decreases as the data loaded in the latch increases in value. The general equation for this operation is

$$R_{WA}(D) = \frac{256 - D}{256} \times R_{AB} + R_W \quad (2)$$

Table 2. R_{WA} vs. Codes; $R_{AB} = 10 \text{ k}\Omega$ and B Terminal Is Opened

D (Dec)	R_{WA} (Ω)	Output State
255	60	Full-Scale
128	5060	Midscale
1	10020	1 LSB
0	10060	Zero-Scale

The typical distribution of the resistance tolerance from device to device is process lot dependent, and it is possible to have $\pm 30\%$ tolerance.

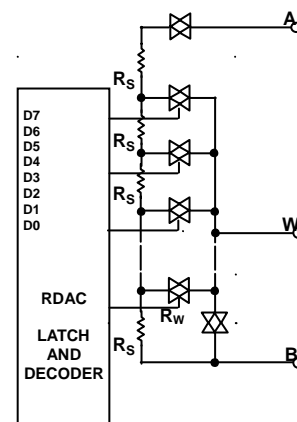


Figure 6. AD5290 Equivalent RDAC Circuit

Potentiometer Mode Operation

If all three terminals are used, the operation is called the potentiometer mode. The most common configuration is the voltage divider operation (Figure 7).

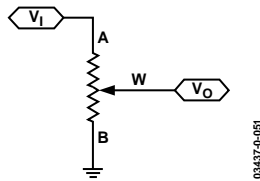


Figure 7. Potentiometer Mode Configuration

Ignoring the effect of the wiper resistance, the transfer function is simply

$$V_W(D) = \frac{D}{256} V_A \quad (3)$$

A more accurate calculation, which includes the wiper resistance effect, yields

$$V_W(D) = \frac{\frac{D}{256} R_{AB} + R_W}{R_{AB} + 2R_W} V_A \quad (4)$$

If there is an applied voltage at the B terminal, then the transfer function becomes

$$V_W(D) = \frac{D}{256} V_A + \frac{256-D}{256} V_B \quad (5)$$

Unlike in rheostat mode operation where the absolute tolerance is high, potentiometer mode operation yields an almost ratio-metric function of $D/256$ with a relatively small error contributed by the R_W terms, and therefore the tolerance effect is almost cancelled. Although the thin film step resistor R_S and CMOS switches resistance R_W have very different temperature coefficients, the ratiometric adjustment also reduces the overall temperature coefficient effect to 5 ppm/°C, except at low value codes where R_W dominates.

Potentiometer mode operations include others such as op amp input, feedback resistor networks, and other voltage scaling applications. A, W, and B terminals can in fact be input or output terminals provided that $|V_A|$, $|V_W|$, and $|V_B|$ do not exceed $|V_{DD}|$ and $|V_{SS}|$.

SPI COMPATIBLE 3-WIRE SERIAL BUS

The AD5290 contains a 3-wire SPI compatible digital interface (SDI, \overline{CS} , and CLK). The 8-bit serial word must be loaded MSB first. The format of the word is shown in Table .

The positive-edge sensitive CLK input requires clean transitions to avoid clocking incorrect data into the serial input register. Standard logic families work well. \overline{CS} should start high, when it goes low, the clock loads data into the serial register on each positive clock edge (see Figure 3).

The data setup and data hold times in the specification table determine the valid timing requirements. The AD5290 uses an 8-bit serial input data register word that is transferred to the internal RDAC register when the \overline{CS} returns to logic high. If dataword contains more than 8-bit, the extra MSB bits will be ignored.

ESD PROTECTION

All digital inputs are protected with a series input resistor and parallel Zener ESD structures shown in 8 and Figure 9. This applies to the digital input pins SDI, CLK, and \overline{CS} .

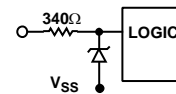


Figure 8. ESD Protection of Digital Pins

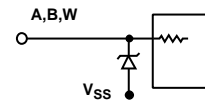


Figure 9. ESD Protection of Resistor Terminals

TERMINAL VOLTAGE OPERATING RANGE

The AD5290 V_{DD} and GND power supply defines the boundary conditions for proper 3-terminal digital potentiometer operation. Supply signals present on terminals A, B, and W that exceed V_{DD} or GND will be clamped by the internal forward biased diodes (see Figure 10).

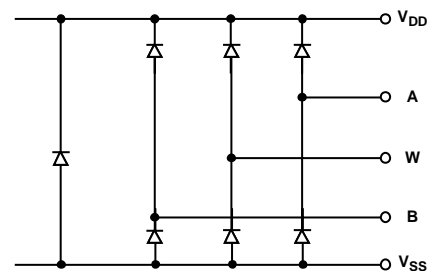


Figure 10. Maximum Terminal Voltages Set by V_{DD} and V_{SS}

POWER-UP SEQUENCE

Since the ESD protection diodes limit the voltage compliance at terminals A, B, and W (see Figure 10), it is important to power V_{DD} -to-GND and V_{SS} -to-GND before applying any voltage to terminals A, B, and W; otherwise, the diode will be forward biased such that V_{DD} will be powered unintentionally and may affect the rest of the user's circuit. The ideal power-up sequence is in the following order: GND, V_{SS} , V_{DD} , digital inputs, and then

$V_{A/B/W}$. The relative order of powering V_A , V_B , V_W , and the digital inputs is not important as long as they are powered after V_{DD} and V_{SS} with respect to GND.

LAYOUT AND POWER SUPPLY BYPASSING

It is a good practice to employ compact, minimum lead length layout design. The leads to the inputs should be as direct as possible with a minimum conductor length. Ground paths should have low resistance and low inductance.

Similarly, it is also a good practice to bypass the power supplies with quality capacitors for optimum stability. Supply leads to the device should be bypassed with disc or chip ceramic capacitors of 0.01 μF to 0.1 μF . Low ESR 1 μF to 10 μF tantalum or electrolytic capacitors should also be applied at the supplies to minimize any transient disturbance and low frequency ripple (see Figure 4). Note that the digital ground should also be joined remotely to the analog ground at one point to minimize the ground bounce.

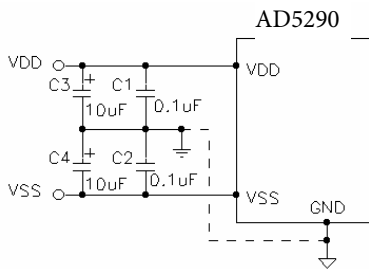


Figure 4. Power Supply Bypassing

DAISY CHAIN OPERATION

The serial data output pin (SDO) can be used to daisy chain multiple devices for simultaneous operations, see Figure 12. The SDO pin contains an open drain N-Ch FET and requires a pull-up resistor. Users need to tie the SDO pin of one package to the SDI pin of the next package. If many devices are daisy-chained, users may need to increase the clock period to accommodate the time delay introduced by the pull-up resistors and the capacitive loading at the SDO-SDI interface, see Figure 12.

If two AD5290 are daisy chained, this requires total 16 bits of data. The first 8 bits goes to U2 and the second 8 bits goes to U1. The $\overline{\text{CS}}$ should be kept low until all 16 bits are clocked into their respective serial registers. The $\overline{\text{CS}}$ is then pulled high to complete the operation.

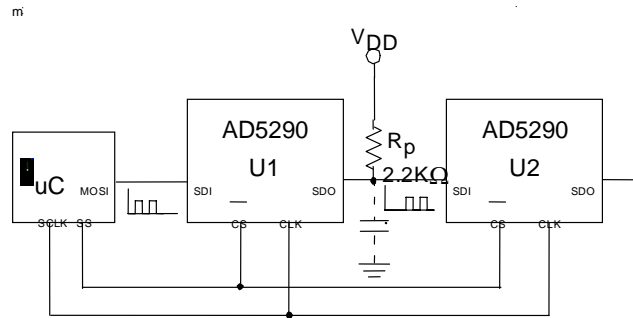


Figure 12. Daisy Chain Configuration

OUTLINE DIMENSIONS

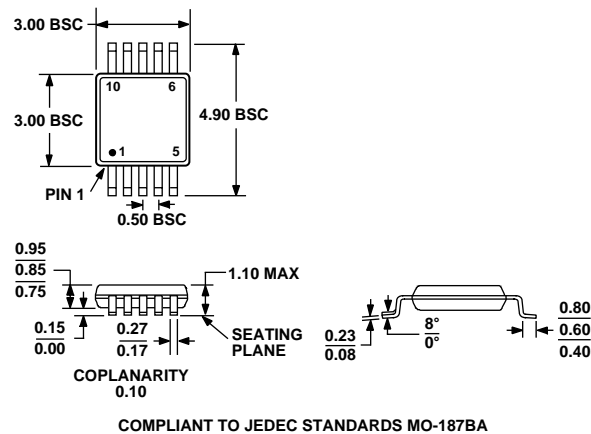


Figure 5. 10-Lead Mini Small Outline Package [MSOP]
(RM-10)
Dimensions shown in millimeters

Ordering Guide

Model ¹	R _{AB} (kΩ)	Temperature Range	Package Description	Package Option	Branding
AD5290YRMZ10	10	-40°C to +105°C	MSOP-10	RM-10	D4U
AD5290YRMZ10-RL7	10	-40°C to +105°C	MSOP-10	RM-10	D4U
AD5290YRMZ50	50	-40°C to +105°C	MSOP-10	RM-10	D4T
AD5290YRMZ50-RL7	50	-40°C to +105°C	MSOP-10	RM-10	D4T
AD5290YRMZ100	100	-40°C to +105°C	MSOP-10	RM-10	D4V
AD5290YRMZ100-RL7	100	-40°C to +105°C	MSOP-10	RM-10	D4V
AD5290EVAL			Evaluation Board		

NOTES:

1. Z in Model Number denotes Lead Free Package

Purchase of licensed I²C components of Analog Devices or one of its sublicensed Associated Companies conveys a license for the purchaser under the Philips I²C Patent Rights to use these components in an I²C system, provided that the system conforms to the I²C Standard Specification as defined by Philips.

ESD CAUTION

ESD (electrostatic discharge) sensitive device. Electrostatic charges as high as 4000 V readily accumulate on the human body and test equipment and can discharge without detection. Although this product features proprietary ESD protection circuitry, permanent damage may occur on devices subjected to high energy electrostatic discharges. Therefore, proper ESD precautions are recommended to avoid performance degradation or loss of functionality.

