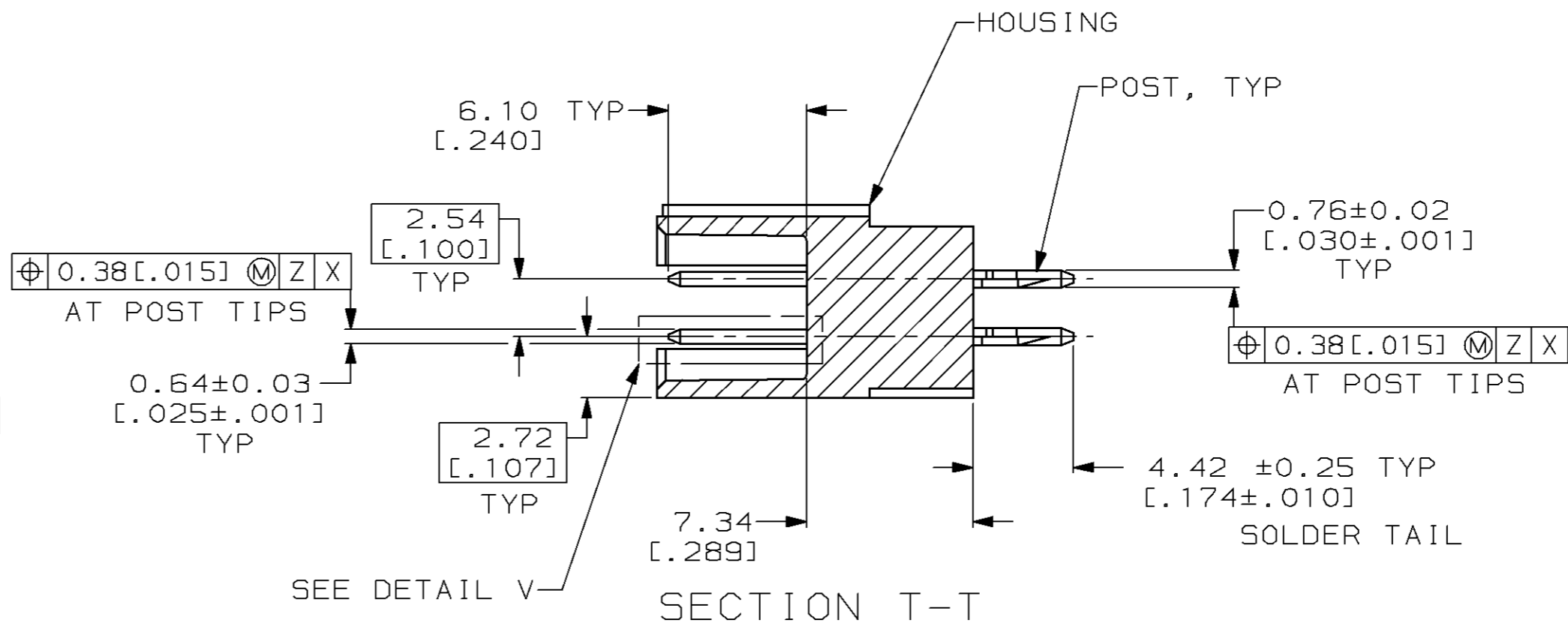
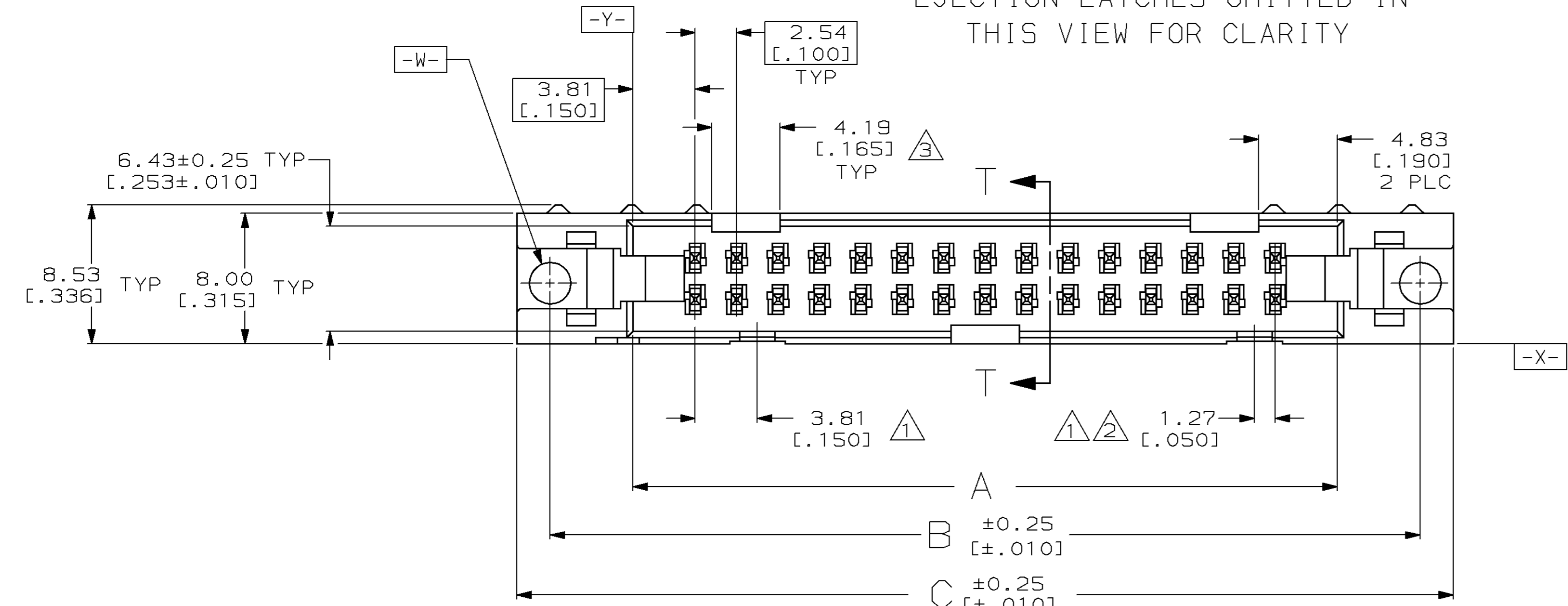
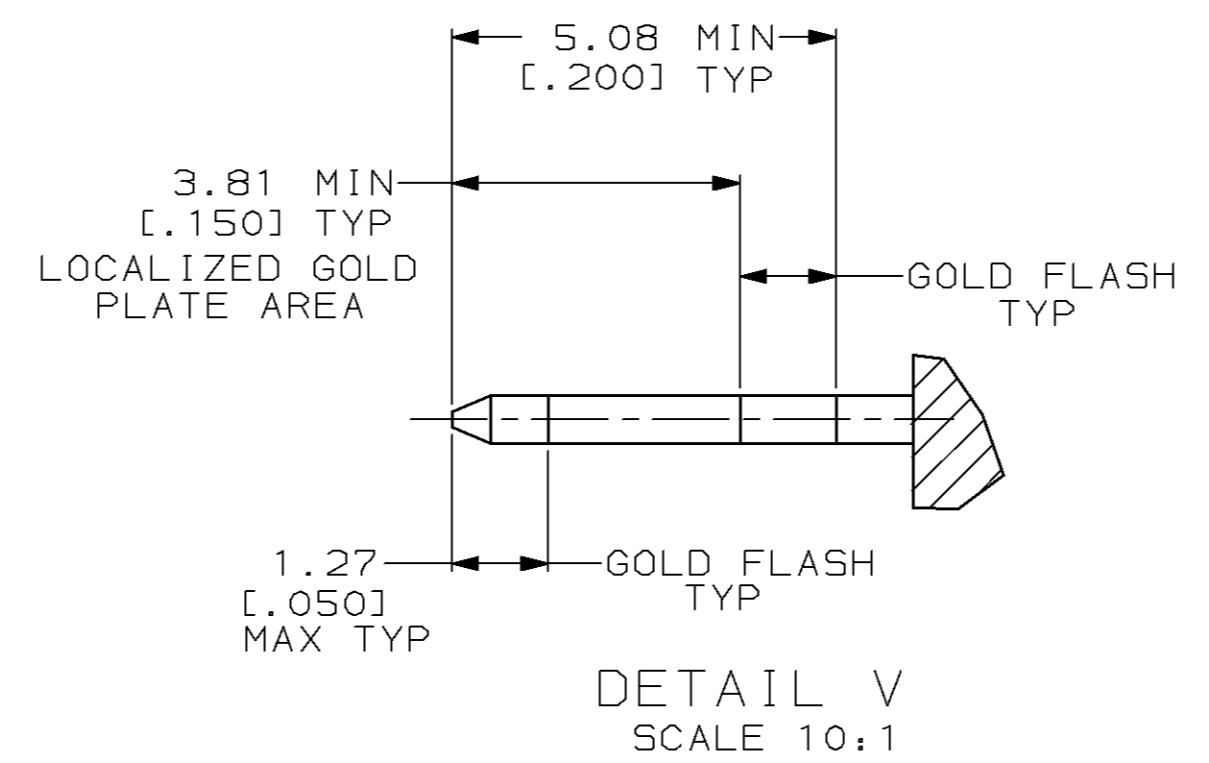
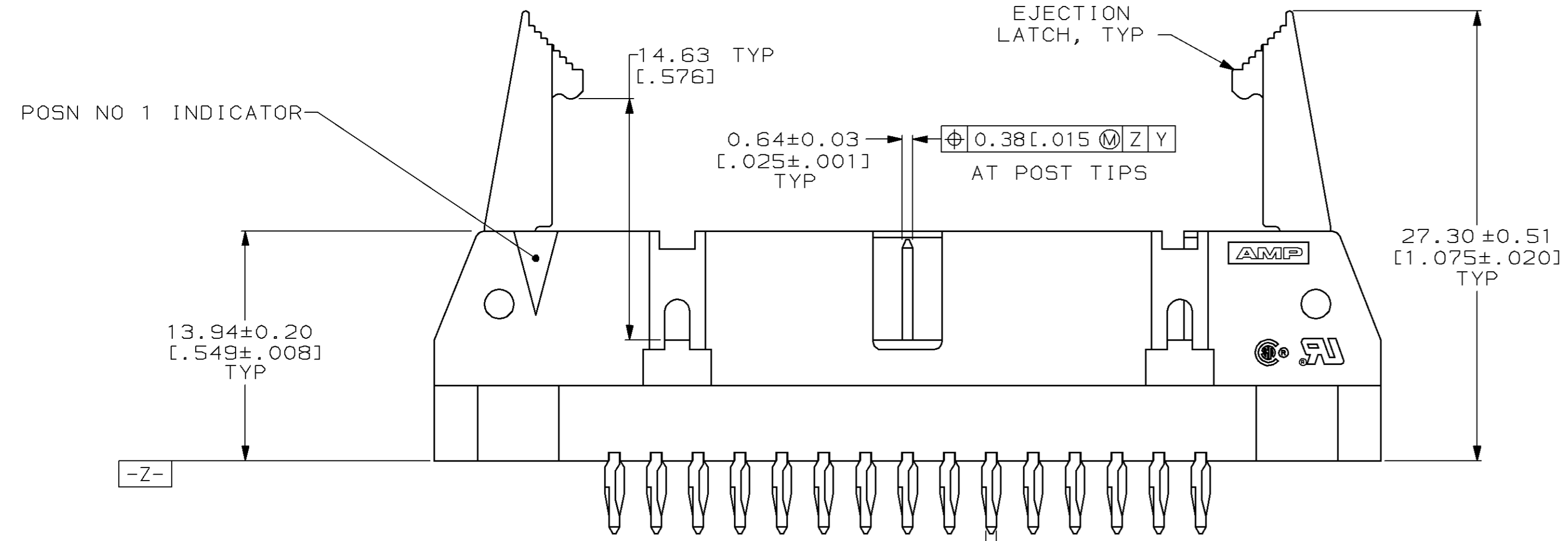


LOC	DIST	REV	ZONE	LTR	DESCRIPTION	DATE	APPD
AD	51						
		D			REV & REDRAWN PER ECN BD4297	9-24-90	-
		E			SUPERSEDED 746443-5 & 1-1 PER ECN BD5802, REV PER ECN BD5982	03/19/92	DK
					OBSOLETE 1-746443-3 PER ECN BD5792		
		F			REV PER EC 0020-0236-95	03/31/95	DK
		G			SUPSD -1, -4, -7, -12 PER EC 0020-1065-94	04/25/95	DK
		H			REACTIVATED -1, -4 PER EC 0020-615-95	06/30/95	DK
		J			REVISE PER EC 0020-796-95	28 JUL 95	DK
		K			SUPSD -6 PER EC 0020-503-95	22 JAN 96	DK
		L			PER EC 0020-0330-96	T.S. 9-25-96	HR
		M			PER EC 0020-0544-96	T.S. 1-31-97	HR
		N			PER EC 0504-0089-97	T.S. 4-29-97	HR

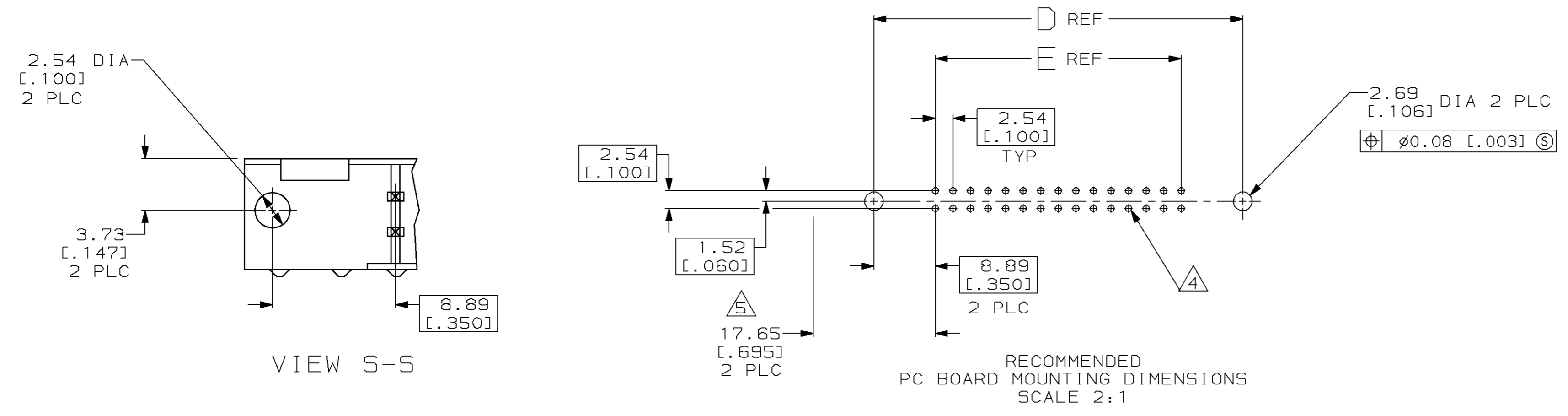
EJECTION LATCHES OMITTED IN THIS VIEW FOR CLARITY



- ① COORDINATE DIMENSION APPLIES FROM BASIC LOCATION.
- ② 10 AND 14 POSITION SIZES CONTAIN ONLY ONE SLOT FOR SNAP-IN POLARIZER (MILITARY POLARIZATION) LOCATED AS SHOWN.
- ③ 10 POSITION SIZES CONTAIN ONLY ONE SLOT FOR DUAL POLARIZATION, LOCATED AS SHOWN.
- ④ RECOMMENDATIONS FOR 2.36[0.093]-3.18[0.125] THICK PC BOARD:
 - A. HOLE DIAMETER AFTER DRILLING = 1.151±0.025[0.0453±0.0010].
 - B. HOLE DIAMETER AFTER TIN-LEAD PLATING = 0.94[0.037]-1.09[0.043].
 - C. HOLE DIAMETER AFTER REFLOW = 0.91[0.036]-1.09[0.043].
 - D. PC BOARD PLATING TO BE 7.62µm[0.000300] MIN TIN-LEAD OVER 0.05±0.03[0.002±0.001] COPPER.
- ⑤ DISTANCE REQUIRED BY EJECTION LATCHES IN THE OPEN POSITION.



OBSOLETE			53.34 [2.100]	71.12 [2.800]	75.18 [2.960]	71.12 [2.800]	60.96 [2.400]	44	1-746443-3
1-499582-2	102320-1		78.74 [3.100]	96.52 [3.800]	100.58 [3.960]	96.52 [3.800]	86.36 [3.400]	64	1-746443-2
-	-		73.66 [2.900]	91.44 [3.600]	95.50 [3.760]	91.44 [3.600]	81.28 [3.200]	60	1-746443-1
-	-		60.96 [2.400]	78.74 [3.100]	82.80 [3.260]	78.74 [3.100]	68.58 [2.700]	50	1-746443-0
-	-		48.26 [1.900]	66.04 [2.600]	70.10 [2.760]	66.04 [2.600]	55.88 [2.200]	40	746443-9
-	-		40.64 [1.600]	58.42 [2.300]	62.48 [2.460]	58.42 [2.300]	48.26 [1.900]	34	746443-8
499582-7	102320-1		35.56 [1.400]	53.34 [2.100]	57.40 [2.260]	53.34 [2.100]	43.18 [1.700]	30	746443-7
-	-		30.48 [1.200]	48.26 [1.900]	52.32 [2.060]	48.26 [1.900]	38.10 [1.500]	26	746443-6
499582-5	102320-1		27.94 [1.100]	45.72 [1.800]	49.78 [1.960]	45.72 [1.800]	35.56 [1.400]	24	746443-5
-	-		22.86 [0.900]	40.64 [1.600]	44.70 [1.760]	40.64 [1.600]	30.48 [1.200]	20	746443-4
-	-		17.78 [0.700]	35.56 [1.400]	39.62 [1.560]	35.56 [1.400]	25.40 [1.000]	16	746443-3
488582-2	102320-1		15.24 [0.600]	33.02 [1.300]	37.08 [1.460]	33.02 [1.300]	22.86 [0.900]	14	746443-2
-	-		10.16 [0.400]	27.94 [1.100]	32.00 [1.260]	27.94 [1.100]	17.78 [0.700]	10	746443-1
HEADER ASSY QTY: 1	LATCH QTY: 2								
SUPERSEDED BY									



DO NOT SCALE PRINT. UNLESS SPECIFIED DIMENSIONS IN mm [INCHES] TOLERANCES ON: 2 PLC DEC ± 0.13[0.005] 3 PLC DEC ± - ANGLES ± -

MATERIAL HOUSING & LATCHES: GLASS FILLED NYLON OR POLYESTER, 94V-0 RATED; BLACK POSTS: PHOSPHOR BRONZE

FINISH POSTS: 0.76µm [0.00030] MIN GOLD ON LOCALIZED GOLD PLATE AREA, 2.54µm [0.00100] MIN BRIGHT TIN-LEAD ON SOLDER TAIL, ALL OVER 1.27µm [0.00050] MIN NICKEL ON ENTIRE POST

DR 9-24-90 H MOLL
 CHK 9-28-90 R.STONE
 APPD 10-2-90 R.KILE
 APPD 10-3-90 D.HOHMAN
 PRODUCT SPEC 108-40018
 APPLICATION SPEC -
 WEIGHT -

AMP INCORPORATED Harrisburg, Pa. 17105

NAME: HEADER ASSY, UNIVERSAL, AMP-LATCH™

SIZE: D
 CAGE CODE: 00779
 DRAWING NO: 746443
 SCALE: 4:1
 SHEET: 1 OF 1