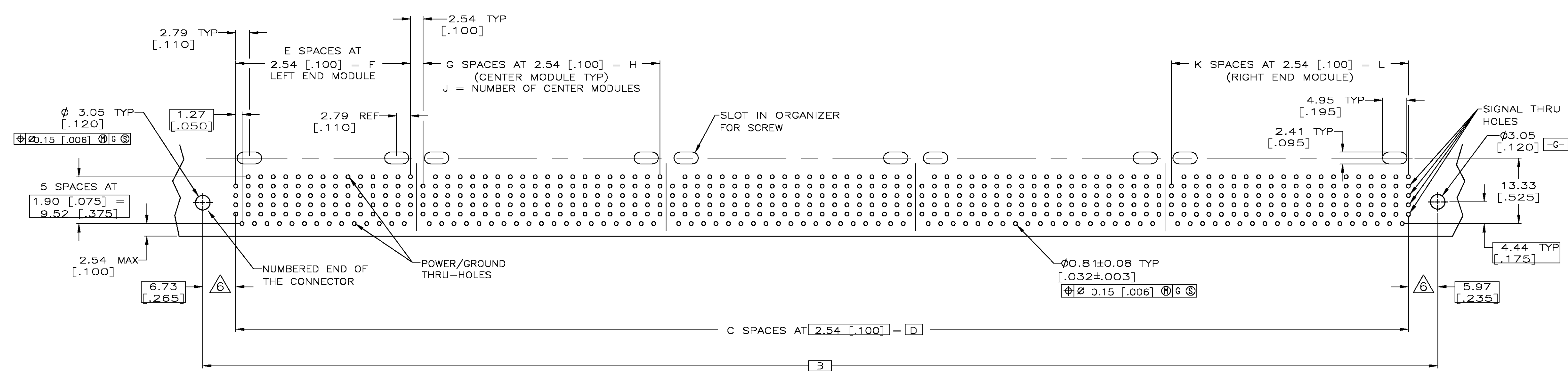


- ① HOUSING MATERIAL: LIQUID CRYSTAL POLYMER, PER ASTM SPECIFICATION D5138 LCP000G30A32250, COLOR: BLACK.
- ② CONTACT MATERIAL: PHOSPHOR BRONZE. UNS NUMBER 51100, PER ASTM B 103.
- ③ CONTACT FINISH:
ON MATING SURFACES—
FLASH GOLD PER MIL-G-45204, TYPE I, GRADE C, CLASS N/A, OVER 0.00076 [.000030] MIN. PALLADIUM-NICKEL PER AMP INCORPORATED SPECIFICATION, OVER 0.00127 [.000050] MIN. NICKEL PER FEDERAL SPECIFICATION QQ-N-290, CLASS: 2, GRADE: n/a.
ON LEADS—
0.00381 [.000150] MIN. TIN-LEAD PER MIL-P-81728, OVER 0.00127 [.000050] MIN. NICKEL PER FEDERAL SPECIFICATION QQ-N-290, CLASS: 2, GRADE: n/a.
- ④ STIFFENER MATERIAL: ALUMINUM, ALLOY 6063, PER ASTM B 221.
- ⑤ STIFFENER FINISH: CHROMATE CONVERSION COATING PER MIL-C-5541.
- ⑥ RECEPTACLE ASSEMBLY SOLDER LEADS ARE OFFSET .015 TOWARD THE LETTER END OF THE CAVITY CENTERLINE. THE PIN ASSEMBLY SOLDER LEADS ARE IN LINE WITH THE CAVITY CENTERLINE.
- ⑦ RECOMMENDED THREADED FASTENERS: MOUNTING LUG— #2 TRUSS HEAD MACHINE SCREW, TYPE I THRU II, FOR .175 MAX THICK MOUNTING LUG PER ANSI B18.6.3. STIFFENER— #2 PAN HEAD THREAD FORMING SCREW, TYPE AB OR BP, PER ANSI B18.6.4.

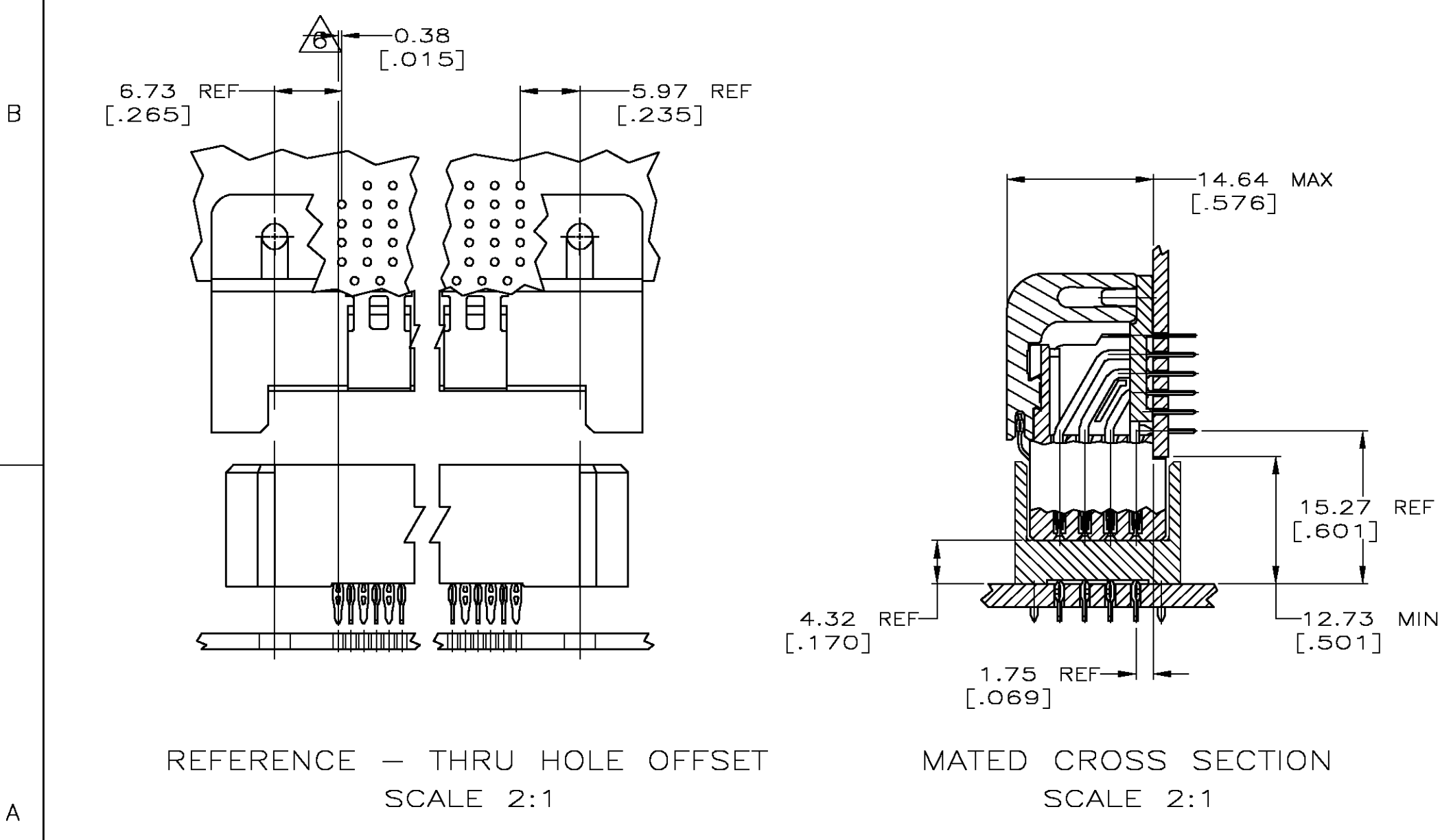


THIS DRAWING IS A CONTROLLED DOCUMENT.		DRW: D.R. BENDER 09/30/92	Tyco Electronics Corporation Harrisburg, PA 17105-3608
		CHK: R.L. BENDORF 03/18/93	
DIMENSIONS:	TOLERANCES UNLESS OTHERWISE SPECIFIED:	PRODUCT SPEC	Z-PACK Stripline 100 MODULAR RECEPTACLE ASSEMBLY 4.19 [.165] LEAD LENGTH
INCHES	0 PLC ± - 1 PLC ± .01 2 PLC ± 0.01 [02] 3 PLC ± 0.25 [010] 4 PLC ± - ANGLES ± -	108-1244	
MATERIAL:	FINISH	APPLICATION SPEC	RESTRICTED TO
④	③	114-1065	A1 00779 C=646236
CUSTOMER DRAWING		WEIGHT	SCALE 2:1 SHEET 1 OF 2 REV D



RECOMMENDED CURCUIT PATTERN
 PER ANSI/IPC-D-300 TYPE II, CLASS C
 (COMPONENT SIDE)

35.56 [1.400]	14	1	35.56 [1.400]	14	35.56 [1.400]	14	111.76 [4.400]	44	124.46 [4.900]	137.16 [5.40]	180	3-646236-6	
35.56 [1.400]	14	-	-	-	48.26 [1.900]	19	86.36 [3.400]	34	99.06 [3.900]	111.76 [4.40]	140	3-646236-5	
35.56 [1.400]	14	1	48.26 [1.900]	19	48.26 [1.900]	19	137.16 [5.400]	54	149.86 [5.900]	162.56 [6.40]	220	3-646236-4	
35.56 [1.400]	14	1	48.26 [1.900]	19	35.56 [1.400]	14	124.46 [4.900]	49	137.16 [5.400]	149.86 [5.90]	200	3-646236-3	
48.26 [1.900]	19	-	-	-	48.26 [1.900]	19	99.06 [3.900]	39	111.76 [4.400]	124.46 [4.90]	160	3-646236-2	
35.56 [1.400]	14	-	-	-	35.56 [1.400]	14	73.66 [2.900]	29	86.36 [3.400]	99.06 [3.90]	120	3-646236-1	
OBSOLETE	48.26 [1.900]	19	11	35.56 [1.400]	14	48.26 [1.900]	19	518.16 [20.400]	204	530.86 [20.900]	543.56 [21.40]	820	3-646236-0
OBSOLETE	48.26 [1.900]	19	8	48.26 [1.900]	19	48.26 [1.900]	19	505.46 [19.900]	199	518.16 [20.400]	530.86 [20.90]	800	2-646236-9
OBSOLETE	35.56 [1.400]	14	8	48.26 [1.900]	19	48.26 [1.900]	19	492.76 [19.400]	194	505.46 [19.900]	518.16 [20.40]	780	2-646236-8
OBSOLETE	35.56 [1.400]	14	8	48.26 [1.900]	19	35.56 [1.400]	14	480.06 [18.900]	189	492.76 [19.400]	505.46 [19.90]	760	2-646236-7
OBSOLETE	35.56 [1.400]	14	10	35.56 [1.400]	14	48.26 [1.900]	19	467.36 [18.400]	184	480.06 [18.900]	492.76 [19.40]	740	2-646236-6
OBSOLETE	48.26 [1.900]	19	7	48.26 [1.900]	19	48.26 [1.900]	19	454.66 [17.900]	179	467.36 [18.400]	480.06 [18.90]	720	2-646236-5
OBSOLETE	35.56 [1.400]	14	7	48.26 [1.900]	19	48.26 [1.900]	19	441.96 [17.400]	174	454.66 [17.900]	467.36 [18.40]	700	2-646236-4
OBSOLETE	35.56 [1.400]	14	7	48.26 [1.900]	19	35.56 [1.400]	14	429.26 [16.900]	169	441.96 [17.400]	454.66 [17.90]	680	2-646236-3
OBSOLETE	35.56 [1.400]	14	9	35.56 [1.400]	14	35.56 [1.400]	14	416.56 [16.400]	164	429.26 [16.900]	441.96 [17.40]	660	2-646236-2
OBSOLETE	48.26 [1.900]	19	6	48.26 [1.900]	19	48.26 [1.900]	19	403.86 [15.900]	159	416.56 [16.400]	429.26 [16.90]	640	2-646236-1
OBSOLETE	35.56 [1.400]	14	6	48.26 [1.900]	19	48.26 [1.900]	19	391.16 [15.400]	154	403.86 [15.900]	416.56 [16.40]	620	2-646236-0
OBSOLETE	35.56 [1.400]	14	6	48.26 [1.900]	19	35.56 [1.400]	14	378.46 [14.900]	149	391.16 [15.400]	403.86 [15.90]	600	1-646236-9
OBSOLETE	48.26 [1.900]	19	7	35.56 [1.400]	14	48.26 [1.900]	19	365.76 [14.400]	144	378.46 [14.900]	391.16 [15.40]	580	1-646236-8
OBSOLETE	48.26 [1.900]	19	5	48.26 [1.900]	19	48.26 [1.900]	19	353.06 [13.900]	139	365.76 [14.400]	378.46 [14.90]	560	1-646236-7
OBSOLETE	35.56 [1.400]	14	5	48.26 [1.900]	19	48.26 [1.900]	19	340.36 [13.400]	134	353.06 [13.900]	365.76 [14.40]	540	1-646236-6
OBSOLETE	35.56 [1.400]	14	5	48.26 [1.900]	19	35.56 [1.400]	14	327.66 [12.900]	129	340.36 [13.400]	353.06 [13.90]	520	1-646236-5
OBSOLETE	35.56 [1.400]	14	6	35.56 [1.400]	14	48.26 [1.900]	19	314.96 [12.400]	124	327.66 [12.900]	340.36 [13.40]	500	1-646236-4
OBSOLETE	48.26 [1.900]	19	4	48.26 [1.900]	19	48.26 [1.900]	19	302.26 [11.900]	119	314.96 [12.400]	327.66 [12.90]	480	1-646236-3
OBSOLETE	35.56 [1.400]	14	4	48.26 [1.900]	19	48.26 [1.900]	19	289.56 [11.400]	114	302.26 [11.900]	314.96 [12.40]	460	1-646236-2
OBSOLETE	35.56 [1.400]	14	4	48.26 [1.900]	19	35.56 [1.400]	14	276.86 [10.900]	109	289.56 [11.400]	302.26 [11.90]	440	1-646236-1
OBSOLETE	35.56 [1.400]	14	5	35.56 [1.400]	14	35.56 [1.400]	14	264.16 [10.400]	104	276.86 [10.900]	289.56 [11.40]	420	1-646236-0
OBSOLETE	48.26 [1.900]	19	3	48.26 [1.900]	19	48.26 [1.900]	19	251.46 [9.900]	99	264.16 [10.400]	276.86 [10.90]	400	646236-9
OBSOLETE	35.56 [1.400]	14	3	48.26 [1.900]	19	48.26 [1.900]	19	238.76 [9.400]	94	251.46 [9.900]	264.16 [10.40]	380	646236-8
OBSOLETE	35.56 [1.400]	14	3	48.26 [1.900]	19	35.56 [1.400]	14	226.06 [8.900]	89	238.76 [9.400]	251.46 [9.90]	360	646236-7
OBSOLETE	48.26 [1.900]	19	3	35.56 [1.400]	14	48.26 [1.900]	19	213.36 [8.400]	84	226.06 [8.900]	238.76 [9.40]	340	646236-6
OBSOLETE	48.26 [1.900]	19	2	48.26 [1.900]	19	48.26 [1.900]	19	200.66 [7.900]	79	213.36 [8.400]	226.06 [8.90]	320	646236-5
OBSOLETE	48.26 [1.900]	19	2	48.26 [1.900]	19	35.56 [1.400]	14	187.96 [7.400]	74	200.66 [7.900]	213.36 [8.40]	300	646236-4
OBSOLETE	48.26 [1.900]	19	2	35.56 [1.400]	14	48.26 [1.900]	19	175.26 [6.900]	69	187.96 [7.400]	200.66 [7.90]	280	646236-3
OBSOLETE	35.56 [1.400]	14	2	35.56 [1.400]	14	48.26 [1.900]	19	162.56 [6.400]	64	175.26 [6.900]	187.96 [7.40]	260	646236-2
OBSOLETE	48.26 [1.900]	19	1	48.26 [1.900]	19	48.26 [1.900]	19	149.86 [5.900]	59	162.56 [6.400]	175.26 [6.90]	240	646236-1
	L	K	J	H	G	F	E	D	C	B	A	NUMBER OF SIGNAL POSITIONS	PART NUMBER



THIS DRAWING IS A CONTROLLED DOCUMENT.

DIMENSIONS: INCHES

TOLERANCES UNLESS OTHERWISE SPECIFIED:

0 PLC	± .005
1 PLC	± .005
2 PLC	± .01 [0.01]
3 PLC	± .02 [0.01]
4 PLC	± .03 [0.01]
ANGLES	± .5

MATERIAL:

FINISH:

APVD: D.R.BENDER 09/30/92
 CHK: R.L.BENDORF 03/18/93

PRODUCT SPEC: 108-1244
 APPLICATION SPEC: 114-1065

WEIGHT: -

CUSTOMER DRAWING

tyco Electronics
 Tyco Electronics Corporation
 Harrisburg, PA 17105-3608

NAME: Z-PACK Stripline 100
 MODULAR RECEPTACLE ASSEMBLY
 4.19 [.165] LEAD LENGTH

SIZE: A1
 CAGE CODE: 00779
 DRAWING NO: 646236

RESTRICTED TO: -

SCALE: 2:1
 SHEET: 2 OF 2
 REV: D