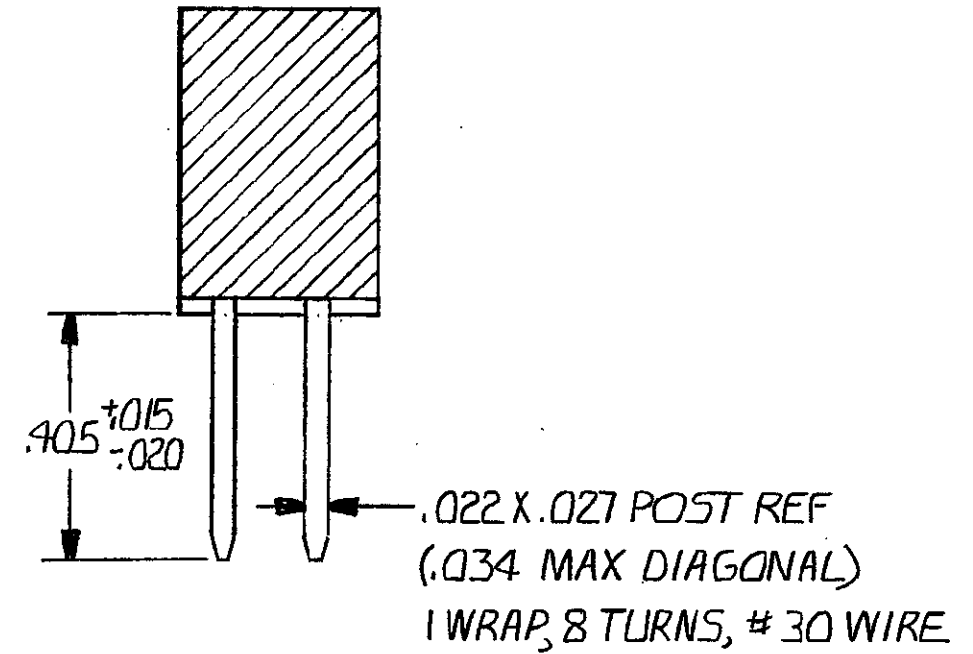
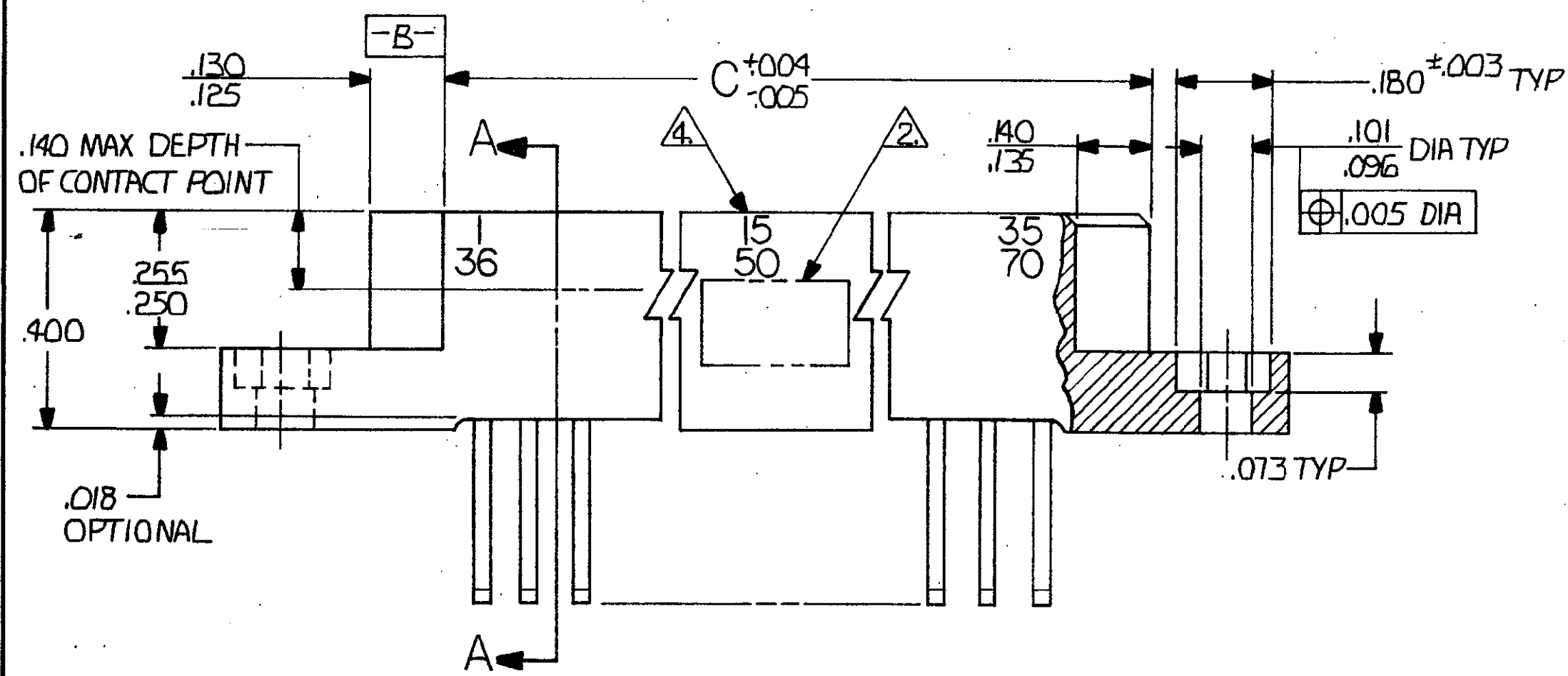
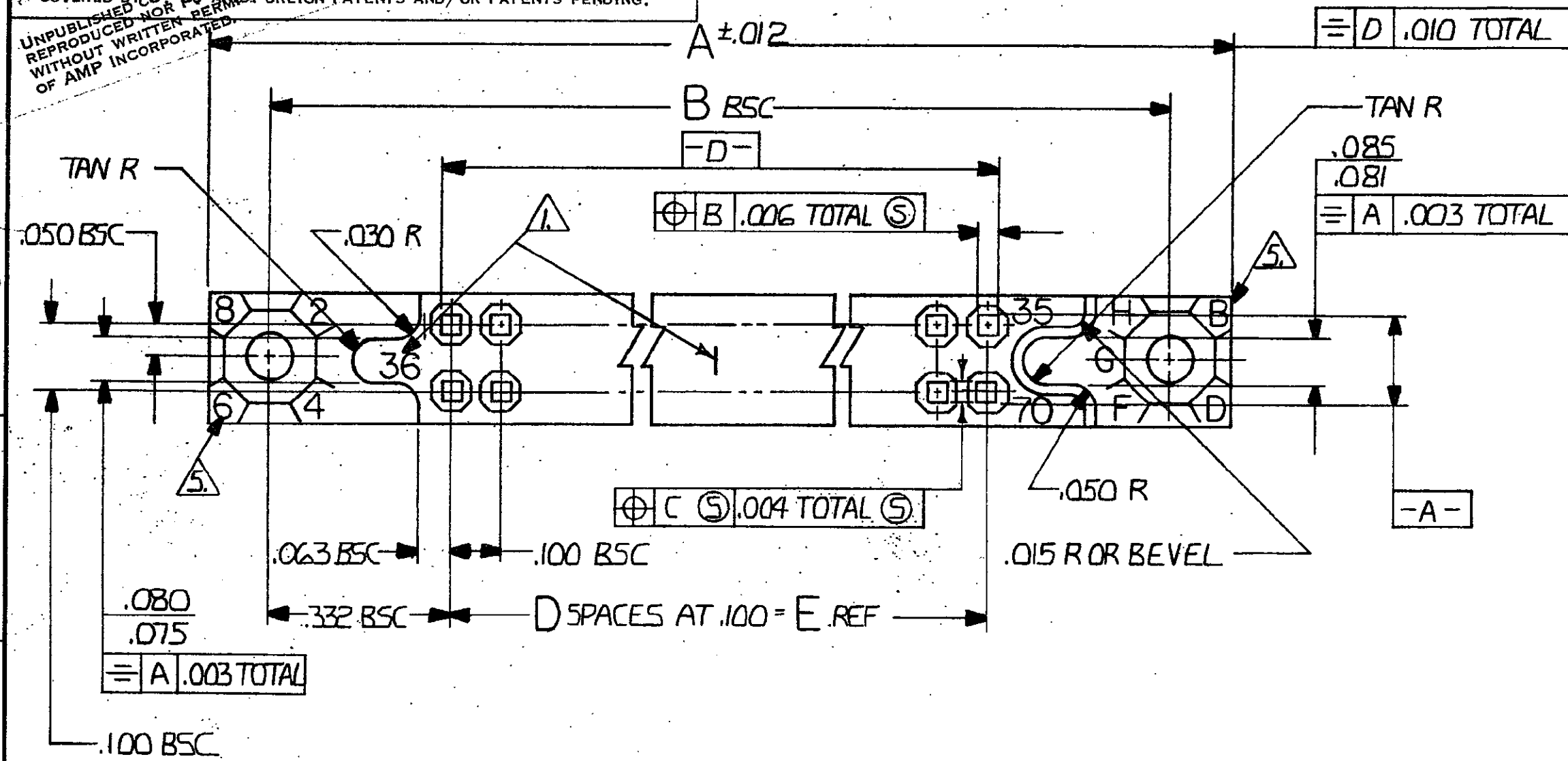
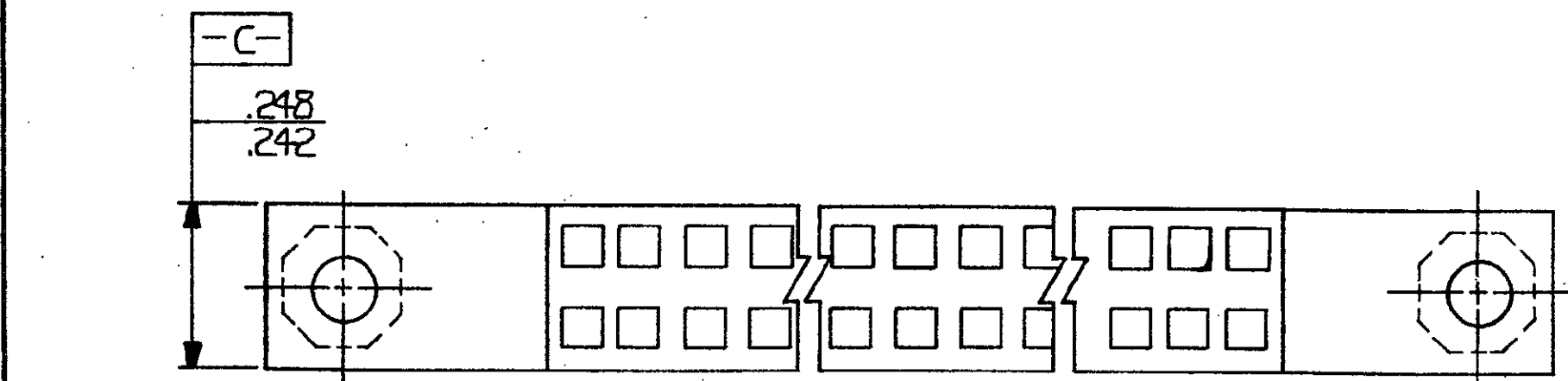


© COPYRIGHT 1977 BY AMP INCORPORATED, HARRISBURG, PA. ALL INTERNATIONAL RIGHTS RESERVED. AMP INCORPORATED PRODUCTS COVERED BY COPYRIGHT, PATENTS, FOREIGN PATENTS AND/OR PATENTS PENDING. UNPUBLISHED OR REPRODUCED WITHOUT WRITTEN PERMISSION OF AMP INCORPORATED.

REVISIONS						
P	F	ZONE	LTR	DESCRIPTION	DATE	APPROVED
		01		REVISED 5061 m.s.	2-2-77	
		02		ADDED 4 P/N SHT. 2 6158 m.s.	7-24-79	BLK RA
03	✓	03		ADDED MIL. P/N'S	4-80	
✓	✓	A		REV. PER ECN AB-0535	db 2-3-85	EAM
✓	✓	B		OBS-4-10-12-13 PER DF-1282	11-86	T.W.
✓	✓	C		REACT-4,10,12,13 PER DF-1282	1-89	J.M.
✓	✓	D		REV PER DF-2240	10-89	T.W.
		E		REV PER 0600-5859-96	TT 4-98	USA



SECTION A-A
WRAP-TYPE CONTACT (TYPE V)
PC MOUNT



UNLESS OTHERWISE SPECIFIED DIMENSIONS ARE IN INCHES. TOLERANCES ON: DECIMALS ±.005 ANGLES ±.005	CONTRACT NO	PART NO	
	DR <i>Robert Wolbert</i> 11-12-76	AMP INCORPORATED Harrisburg, Pa.	
	CHK <i>R. Williams</i> 11-23-76	NAME BOX CONNECTOR RECEPTACLE ASSY .100 GRID EXTERNAL KEYING	
	APPD <i>R. Williams</i> 11-23-76	SIZE C	CODE IDENT NO 00779
MATERIAL 7.8	APPD <i>D.C. Myers</i> 11-29-76	DSGN APPD	SCALE 4-1
FINISH 8.	OTHER APPD	SHEET 1 OF 2	

DRAWING MADE IN THIRD ANGLE PROJECTION

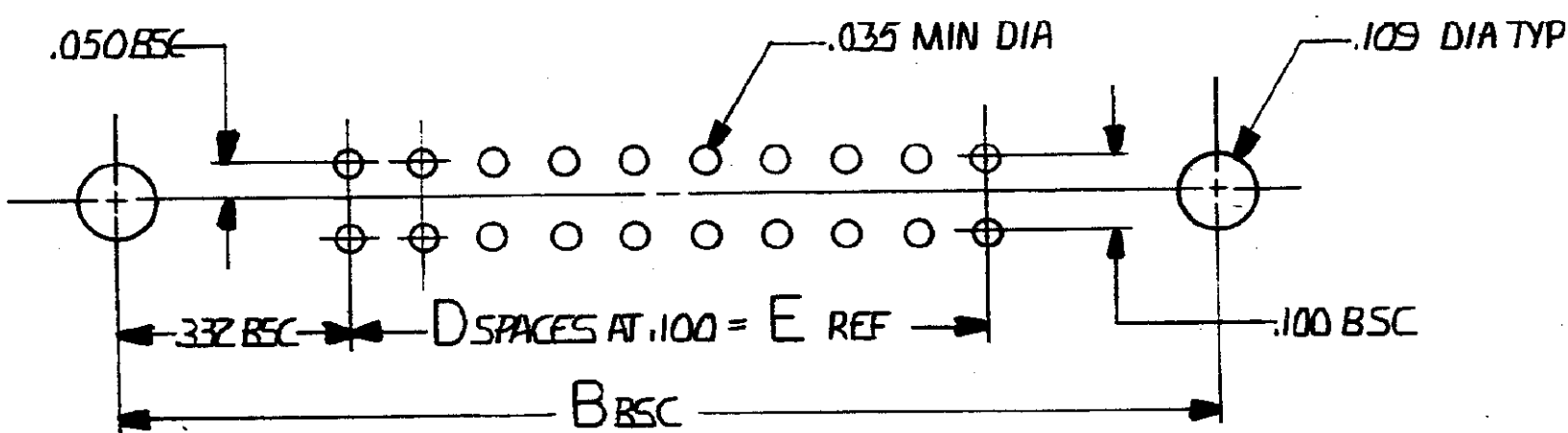
© COPYRIGHT 19 BY AMP INCORPORATED, HARRISBURG, PA.
 ALL INTERNATIONAL RIGHTS RESERVED. AMP INCORPORATED PRODUCTS
 COVERED BY U. S. PATENT RIGHTS AND/OR PATENTS PENDING.

UNPUBLISHED COPY PARTS
 REPRODUCED WITHOUT PERMISSION
 OF AMP INCORPORATED

LOC LIST
 OF FO

REVISIONS		DATE	APPROVED
P	F ZONE LTR		
DESCRIPTION			
D SEE SHEET 1 OF 2 J			

1. NUMBERS AND LINES INDICATING EVERY FIVE CAVITIES STAMPED WHITE ON MATING FACE.
2. AMP PART NUMBER DATE CODE, 00779 & MILITARY PART NUMBER INK STAMPED WHITE THIS AREA. SIDE OPTIONAL
3. MUST MEET ALL APPLICABLE REQUIREMENTS OF MIL-C-55302.
4. NUMBERS INDICATING EVERY FIVE CAVITIES STAMPED WHITE ON SIDE.
5. KEY POSITION IDENTIFICATION MOLDED ON SURFACES SHOWN.
6. USE EXTERNAL KEY NUMBER 530341-1 MATES WITH PART NUMBER 530339.
7. HOUSING MATERIAL: DIALLYL PHTHALATE COLOR: BLUE PER MIL-M-14 TYPE 50G-F.
8. CONTACT MATERIAL: BERYLLIUM COPPER .000050 GOLD OVER NICKEL.



RECOMMENDED PRINTED CIRCUIT BOARD LAYOUT

M55302/27-225	71	140 ⁷⁰	6.900	69	7.165	7.565	7.855	140	1-530781-3
M55302/27-224	68	134 ⁶⁷	6.600	66	6.865	7.265	7.555	134	1-530781-2
M55302/27-223	66	130 ⁶⁵	6.400	64	6.665	7.065	7.355	130	1-530781-1
M55302/27-222	61	120 ⁶⁰	5.900	59	6.165	6.565	6.855	120	1-530781-0
M 55302/27-171	56	110 ⁵⁵	5.400	54	5.665	6.065	6.355	110	530781-9
M 55302/27-170	51	100 ⁵⁰	4.900	49	5.165	5.565	5.855	100	-8
M 55302/27-169	46	90 ⁴⁵	4.400	44	4.665	5.065	5.355	90	-7
M 55302/27-168	41	80 ⁴⁰	3.900	39	4.165	4.565	4.855	80	-6
M 55302/27-167	36	70 ³⁵	3.400	34	3.665	4.065	4.355	70	-5
M 55302/27-166	31	60 ³⁰	2.900	29	3.165	3.565	3.855	60	-4
M 55302/27-165	26	50 ²⁵	2.400	24	2.665	3.065	3.355	50	-3
M 55302/27-164	21	40 ²⁰	1.900	19	2.165	2.565	2.855	40	-2
M 55302/27-163	16	30 ¹⁵	1.400	14	1.665	2.065	2.355	30	530781-1
M 55302									
PART NUMBER	CONTACT IDENTIFICATION NO		E	D	C	B	A	NO OF CONTACTS	PART NO

UNLESS OTHERWISE SPECIFIED DIMENSIONS ARE IN INCHES. TOLERANCES ON: DECIMALS ± .005 ANGLES	CONTRACT NO	AMP INCORPORATED Harrisburg, Pa.	
MATERIAL	DR Robert Walden 11-15-76	NAME BOX CONNECTOR RECEPTACLE	
FINISH	CHK R. Williams 11-23-76	ASSY .100 GRID EXTERNAL KEYING	
	APPD R. Williams 11-23-76	SIZE C	CODE IDENT NO 00779
	APPD J. G. Myers 11-29-76	DRAWING NO	530781
	DSGN APPD	SCALE 4:1	SHEET 2 OF 2
	OTHER APPD	CUSTOMER DRAWING	

1870781
 530781