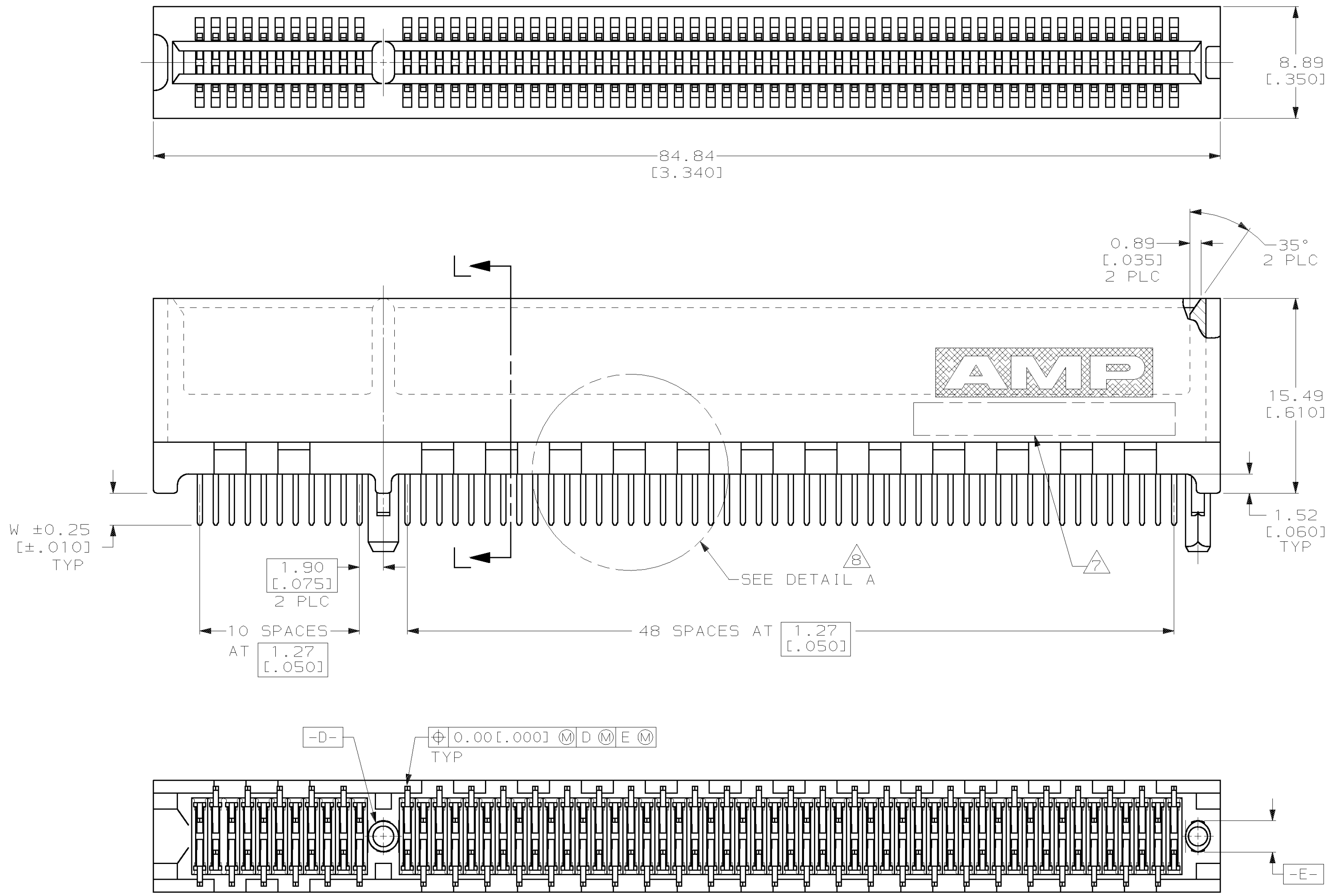
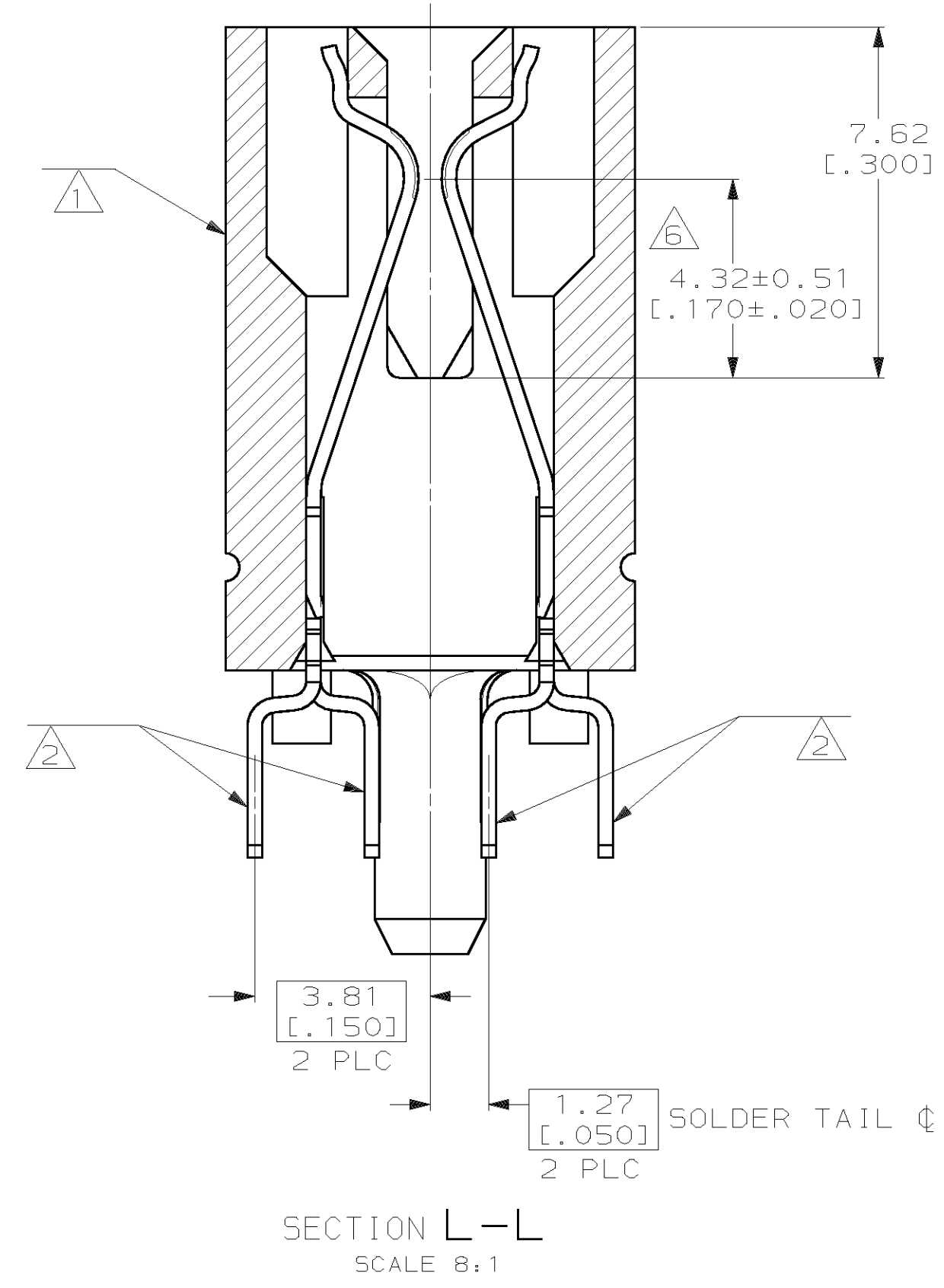
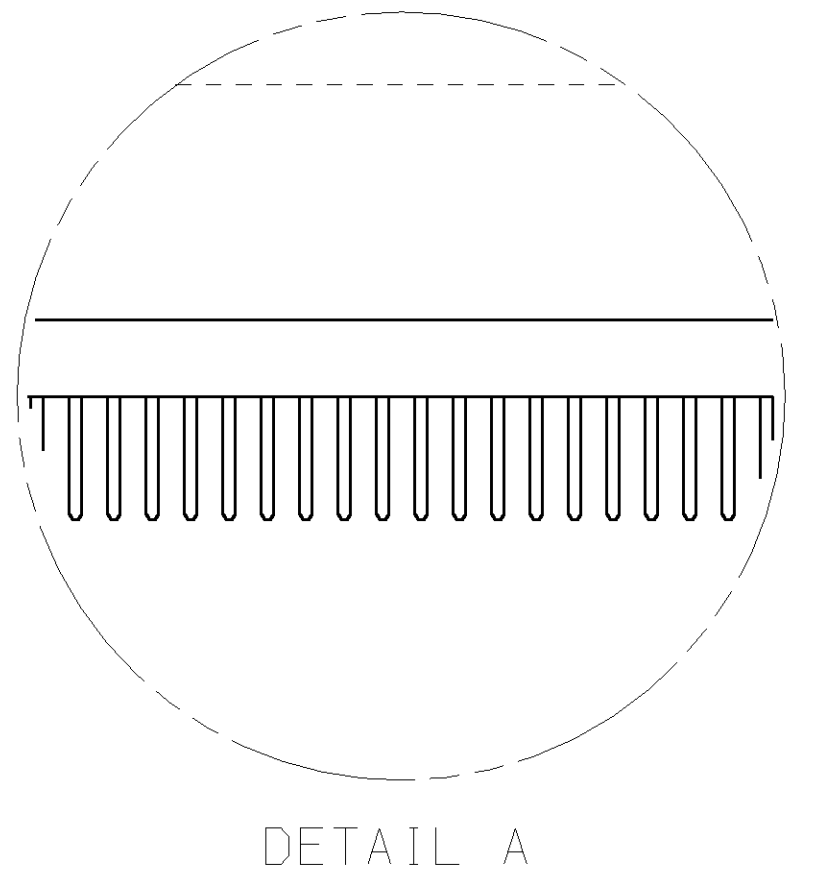


LOC		DIST		P		F		ZONE		LTR		REVISIONS	
DESCRIPTION	DATE	APPD											
E	REVISED PER EC 051B-0278-00	04SEP01	DD	PD									



- ① HOUSING: HIGH TEMPERATURE THERMOPLASTIC. COLOR - NATURAL
- ② CONTACT: PHOSPHOR BRONZE.
- ③ CONTACT FINISH: .001269[.000050] MIN NICKEL ALL OVER. GOLD FLASH OVER NICKEL IN CONTACT AREA. .002537[.000100] MIN TIN-LEAD OVER NICKEL ON SOLDER TAILS.
- ④ CONTACT FINISH: .001269[.000050] MIN NICKEL ALL OVER. .000375[.000015] MIN GOLD OVER NICKEL IN CONTACT AREA. .002537[.000100] MIN TIN-LEAD OVER NICKEL ON SOLDER TAILS.
- ⑤ CONTACT FINISH: .001269[.000050] MIN NICKEL ALL OVER. .000757[.000030] MIN GOLD OVER NICKEL IN CONTACT AREA. .002537[.000100] MIN TIN-LEAD OVER NICKEL ON SOLDER TAILS.
- ⑥ DISTANCE FROM CONTACT POINT TO BOTTOM OF CARD SLOT.
- ⑦ AMP PART NUMBER, DATE CODE AND CSA LOGO MARKED IN APPROXIMATE LOCATION SHOWN.
- ⑧ CORED OR SOLID SIDE WALLS ARE AT DISCRETION OF AMP INCORPORATED.

SEE SHEET 2 FOR HOLE PATTERN

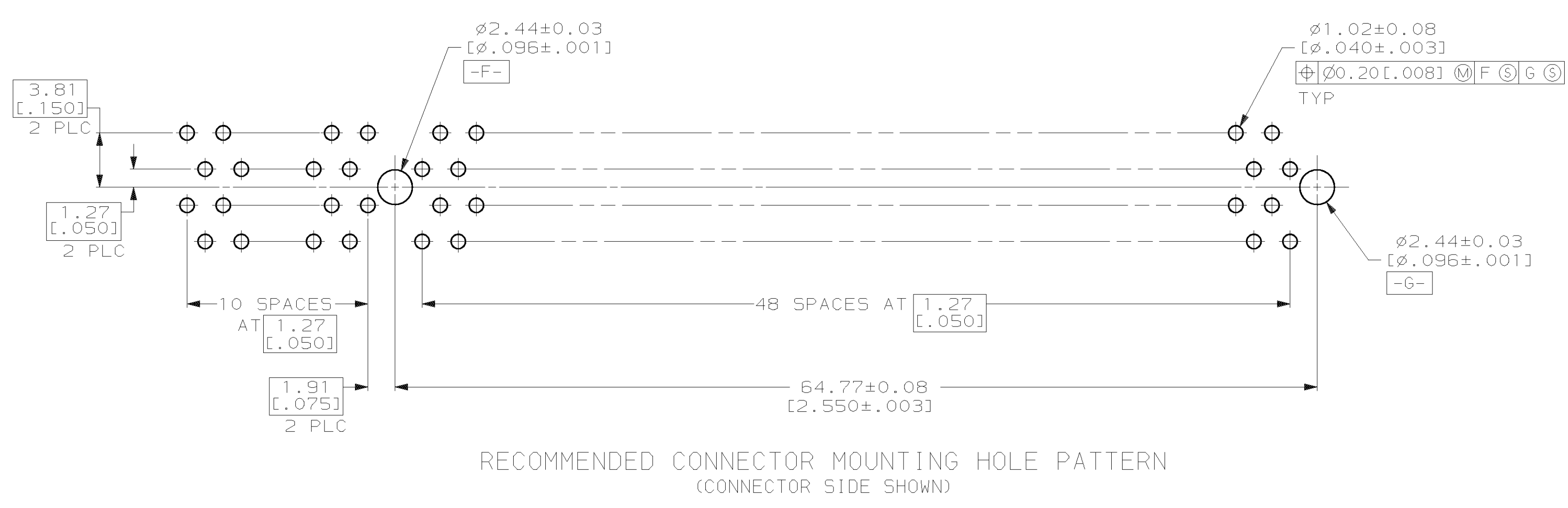
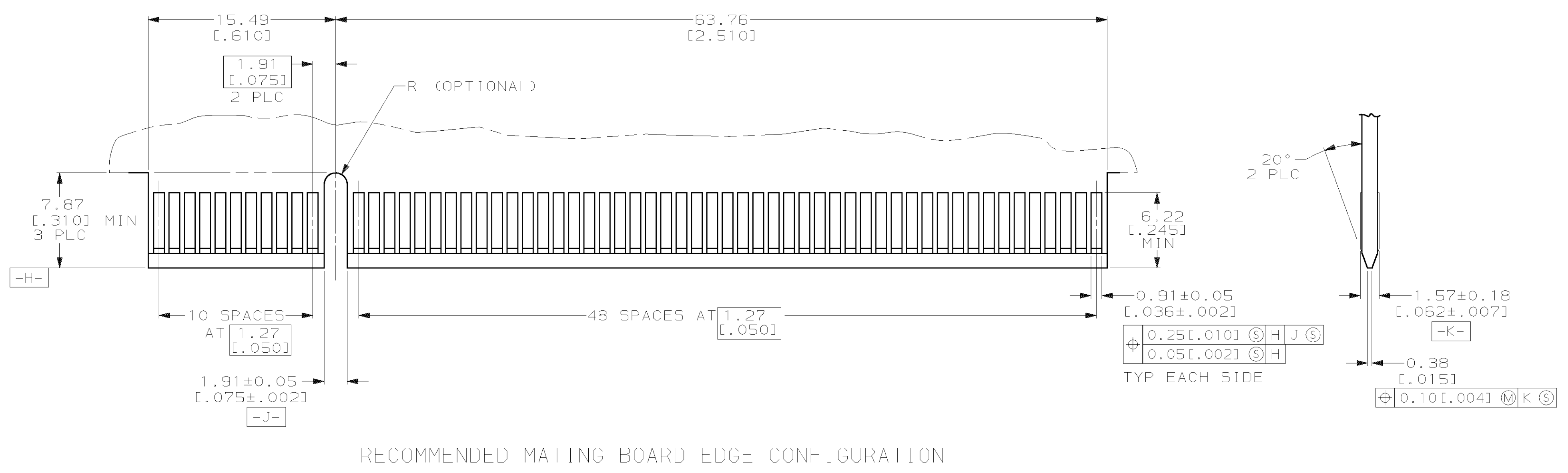


SUPERSEDED BY 145154-4

3.56 [.140]	⑤	1-145154-2
3.18 [.125]	⑤	145154-8
2.54 [.100]	⑤	145154-4
2.54 [.100]	⑤	145154-3
2.54 [.100]	④	145154-2
2.54 [.100]	③	145154-1
W	FINISH	PART NUMBER

DO NOT SCALE PRINT. UNLESS SPECIFIED DIMENSIONS IN mm [INCHES]	DR 6/9/95 R BROWN	AMP Incorporated Harrisburg, PA 17105-3608
TOLERANCES ON: 2 PLC DEC ± 0.25 [.01] 3 PLC DEC ± 0.127 [.005] ANGLES ± 2°	CHK 6/9/95 M BOWERS	
MATERIAL	APPD 6/9/95 D SARVER	NAME
① ②	PRODUCT SPEC 108-14034	CONNECTOR ASSEMBLY, 60 DUAL POSITION, 1.27 [.050] SERIES, STANDARD EDGE
FINISH	APPLICATION SPEC 114-26012	SIZE
③ ④ ⑤	WEIGHT	① CAGE CODE 00779
		DRAWING NO 145154
		SCALE 4:1
		SHEET 1 OF 2

LOC		DIST		P		F		ZONE		LTR		REVISIONS	
DESCRIPTION	DATE	APPD											
GP 00													SEE SHEET 1



DO NOT SCALE PRINT. UNLESS SPECIFIED DIMENSIONS IN mm [INCHES] TOLERANCES ON: 2 PLC DEC ±0.25 [.01] 3 PLC DEC ±0.127 [.005] ANGLES ± 2°		DR 6/9/95 R BROWN		AMP Incorporated Harrisburg, PA 17105-3608	
SEE SHEET 1		CHK 6/9/95 M BOWERS			
SEE SHEET 1		APPD 6/9/95 D SARVER		NAME CONNECTOR ASSEMBLY, 60 DUAL POSITION, 1.27 [.050] SERIES, STANDARD EDGE	
FINISH SEE SHEET 1		APPLICATION SPEC 114-26012		SIZE D	CAGE CODE 00779
WEIGHT		SCALE 4:1		DRAWING NO. 145154	SHEET 2 OF 2