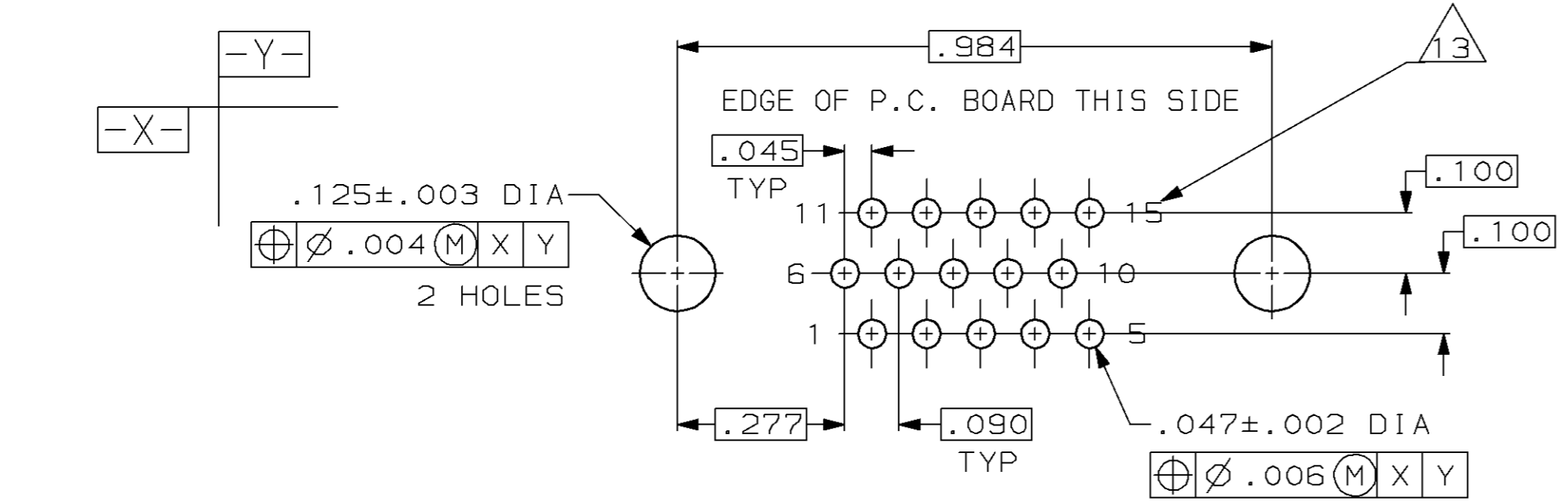
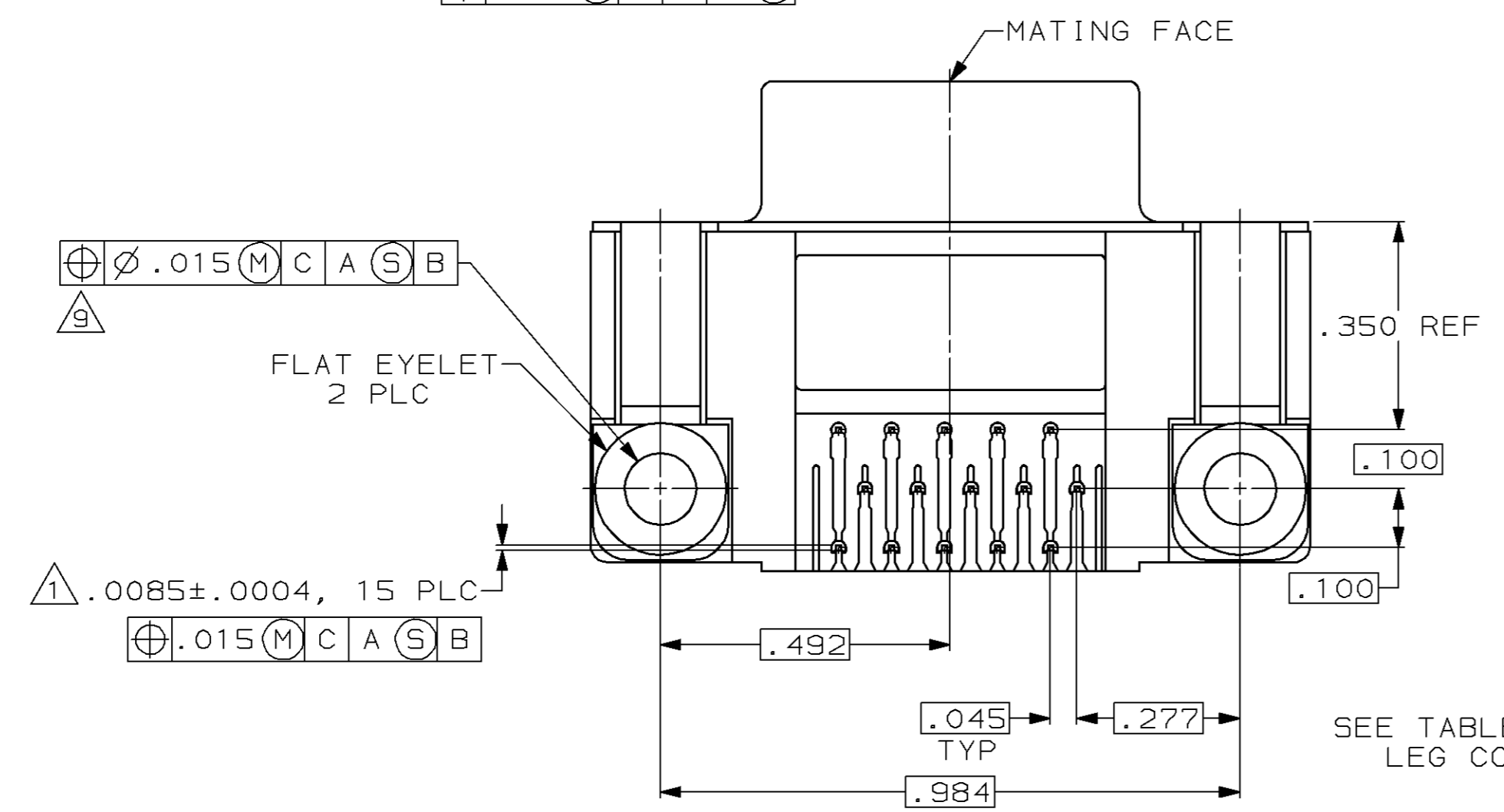
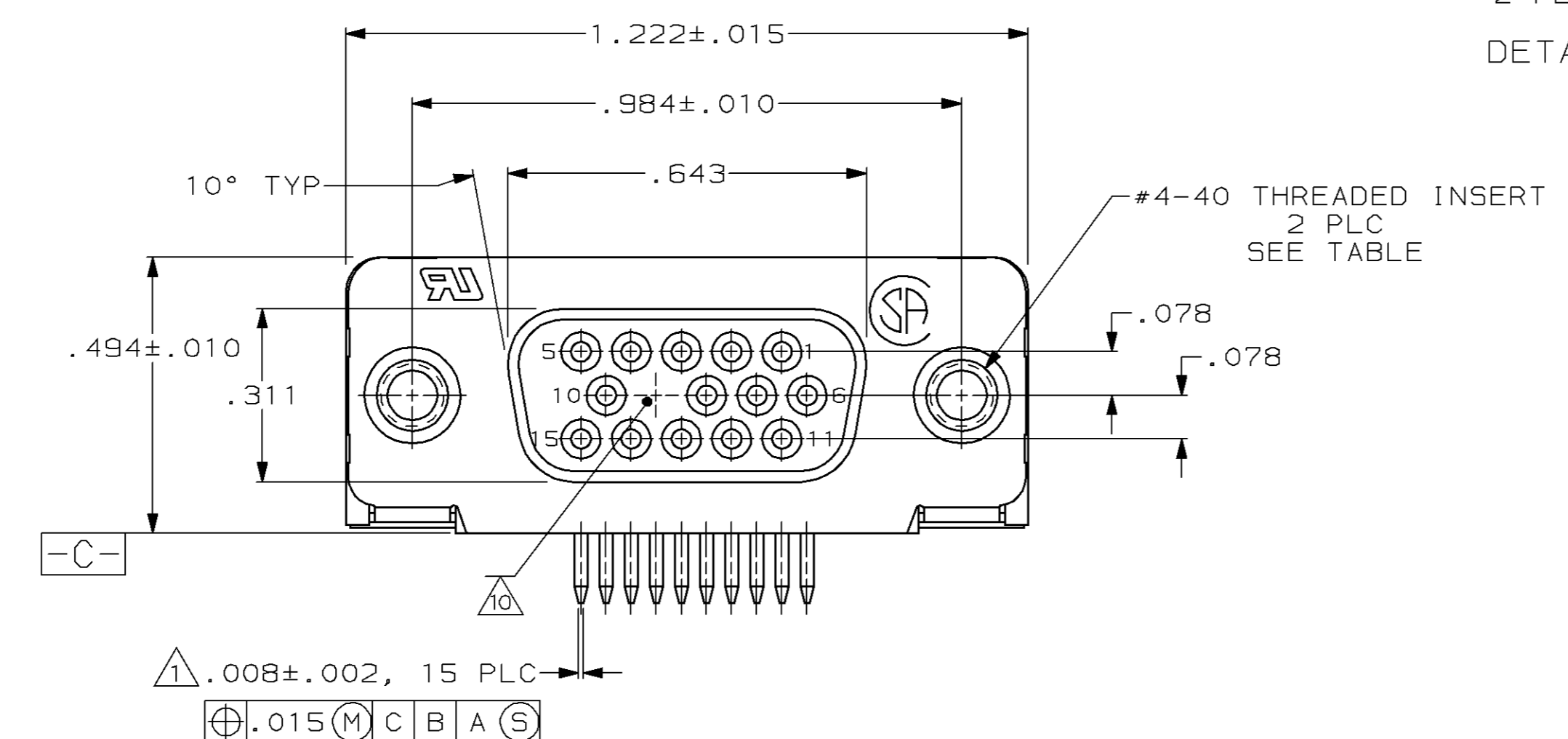
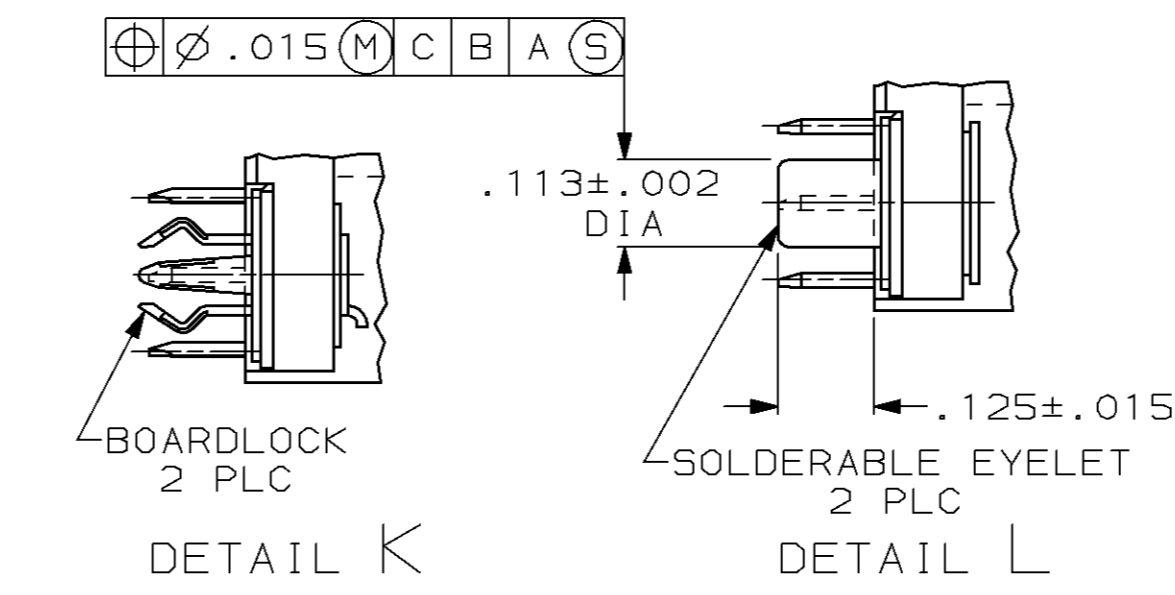
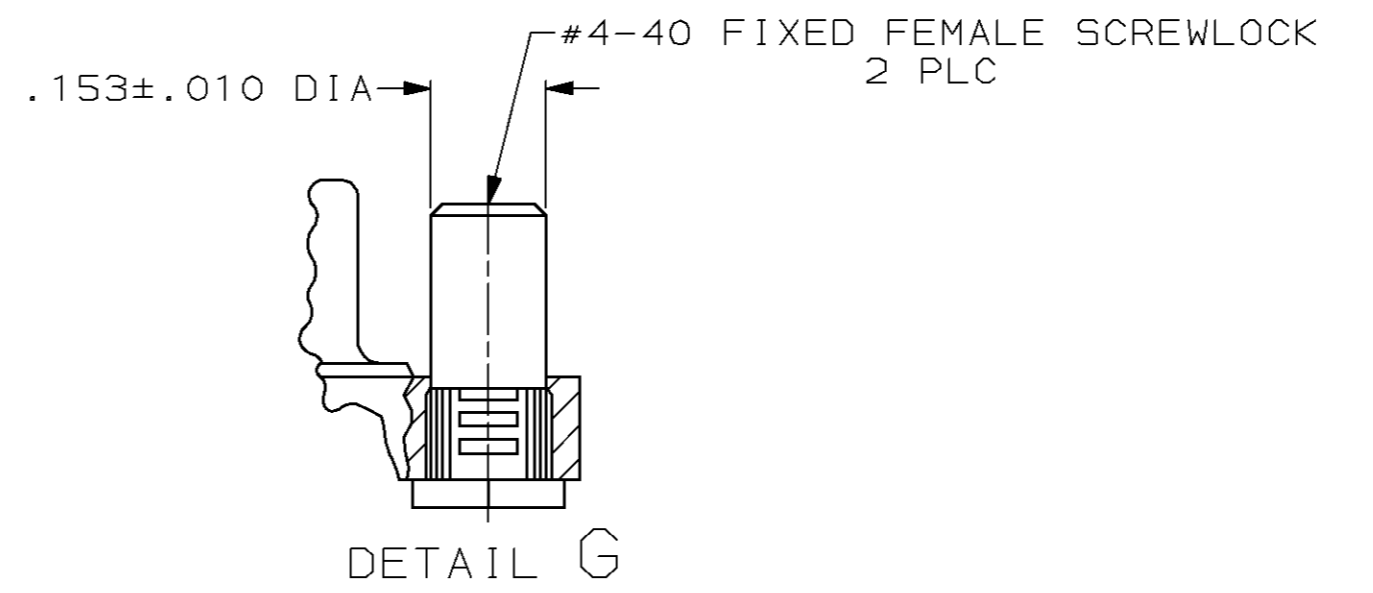
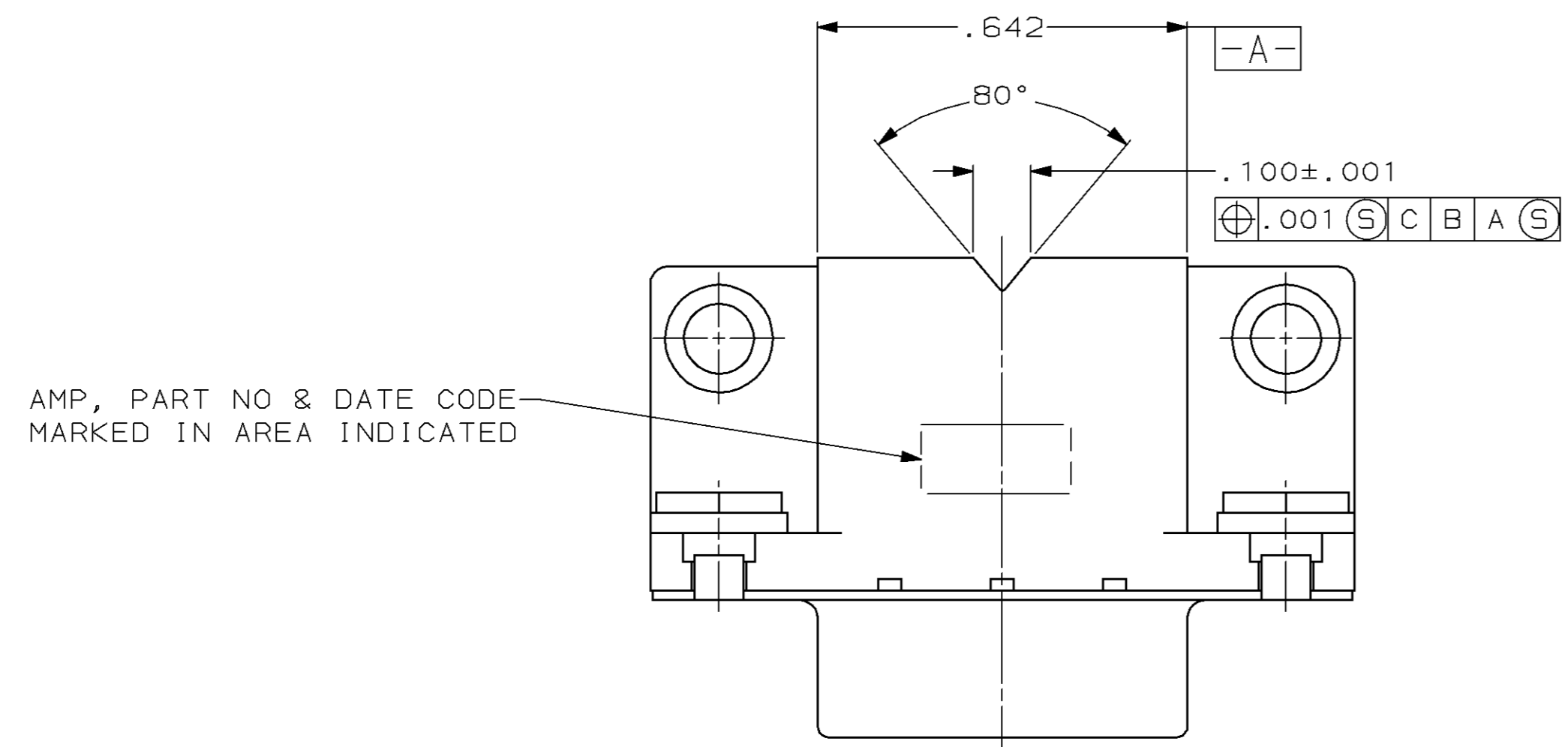


LOC	DIST	P	F	ZONE	LTR	REVISIONS	DATE	APPD
BD	77					W ADDED 3-3 PER NPR 4430	10/19/92	SB
					Y	OBS -9, 1-3, 1-4, 1-6, 1-7, 1-8, 2-0 THRU 2-7, 2-9 AND 3-3 PER EC 0020-620-93	08/26/93	CR
					Z	SUPSD-8,1-9 & OBS 2-8,3-0 PER EC 0020-968-93	04/24/94	CR
					AA	REV PER EC 0020-849-94	08/15/94	MP
					AB	SUPSD -1, -4 & -10 PER EC 0020-493-96	14 JAN 97	RT
					AC	SUPSD -15 PER EC 0020-438-96	17 APR 97	RT
					AD	REACTIVATE -4 PER EC 0640-20-98	25 FEB 98	DK



- 1 POSITION TOLERANCE APPLIES AT TIP ONLY.
- 2 NYLON, 94 V-0 RATED, BLACK.
- 3 PHOS. BRONZE PER QQ-B-750.
- 4 STEEL PER ASTM A109.
- 5 FLAT EYELETS & SOLDERABLE EYELETS: BRASS; BOARDLOCKS: COPPER ALLOY; INSERTS & SCREWLOCKS: ZINC.
- 6 GOLD PLATING PER MIL-G-45204, NICKEL PLATING PER QQ-N-290, TIN PLATING PER MIL-T-10727.
- 7 BRIGHT TIN PLATED.
- 8 FLAT EYELETS: BRIGHT TIN PLATED; SOLDERABLE EYELETS & BOARDLOCKS: TIN-LEAD PLATED; SCREWLOCKS: CLEAR CHROMATE; INSERTS: CLEAR CHROMATE.
- 9 POSITION TOLERANCE APPLIES TO .125 DIA HOLE OR TO DIAMETER ESTABLISHED BY LEGS OF BOARDLOCK.
- 10 POSITION #9 HAS MATING FACE BLOCKED, WITH CONTACT PRESENT.
- 11 PLATED WITH GOLD (SEE TABLE FOR THICKNESS) ON MATING END, .000120 MIN TIN-LEAD ON SOLDER END, ALL OVER .000050 MIN NICKEL.
- 12 SCREWLOCKS BULK PACKED, 2 EACH PER CONNECTOR.
- 13 POSITION NUMBERS SHOWN FOR REFERENCE ONLY.
- 14 SEE RESTRICTED CUSTOMER DRAWING 3-748389-3.
- 15 THIS CONNECTOR IS RATED TO A TEMPERATURE OF 220° C MAX AND 90 SECOND MAXIMUM EXPOSURE TIME.

REVISION	DESCRIPTION	DATE	APPD
1	3-748389-3		
2	3-748389-0		
3	2-748389-9		
4	2-748389-8		
5	2-748389-7		
6	2-748389-6		
7	2-748389-5		
8	2-748389-4		
9	2-748389-3		
10	2-748389-2		
11	2-748389-1		
12	2-748389-0		
13	1-748389-9		
14	1-748389-8		
15	1-748389-7		
16	1-748389-6		
17	1-748389-5		
18	1-748389-4		
19	1-748389-3		
20	1-748389-2		
21	1-748389-1		
22	1-748389-0		
23	748389-9		
24	748389-8		
25	748389-7		
26	748389-6		
27	748389-5		
28	748389-4		
29	748389-3		
30	748389-2		
31	748389-1		
32	748389-0		

DO NOT SCALE PRINT. UNLESS SPECIFIED DIMENSIONS IN INCHES TOLERANCES ON: 2 PLC DEC ± .005 3 PLC DEC ± .005 ANGLES ± 2°	DR 1-27-88 C. RICHARD	AMP INCORPORATED Harrisburg, Pa. 17105
MATERIAL MOLDED PARTS: △ CONTACTS: △ SHELL: △ HARDWARE: △	CHK 1-29-88 S. WELDON	
FINISH CONTACTS: △ SHELL: △ HARDWARE: △	APPD 1-29-88 P. KISSINGER	NAME RECEPTACLE ASSY, SIZE 1, 15 POSN, RIGHT ANGLE, FRONT METAL SHELL, CAVITY 9 BLOCKED, AMPLIMITE® HD-22
	APPD 2-1-88 C. ROHDE	SIZE D FSCM NO 00779 DRAWING NO 748389
	APPLICATION SPEC 114-40021	SCALE 4:1 SHEET 1 OF 1