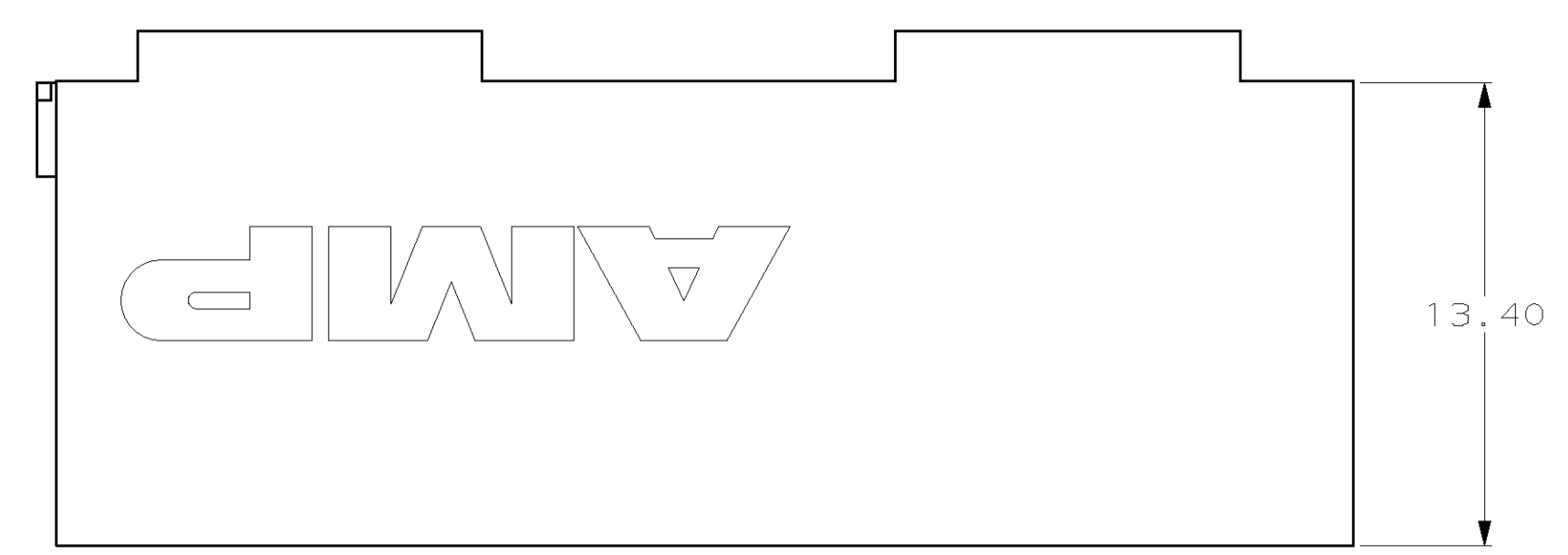
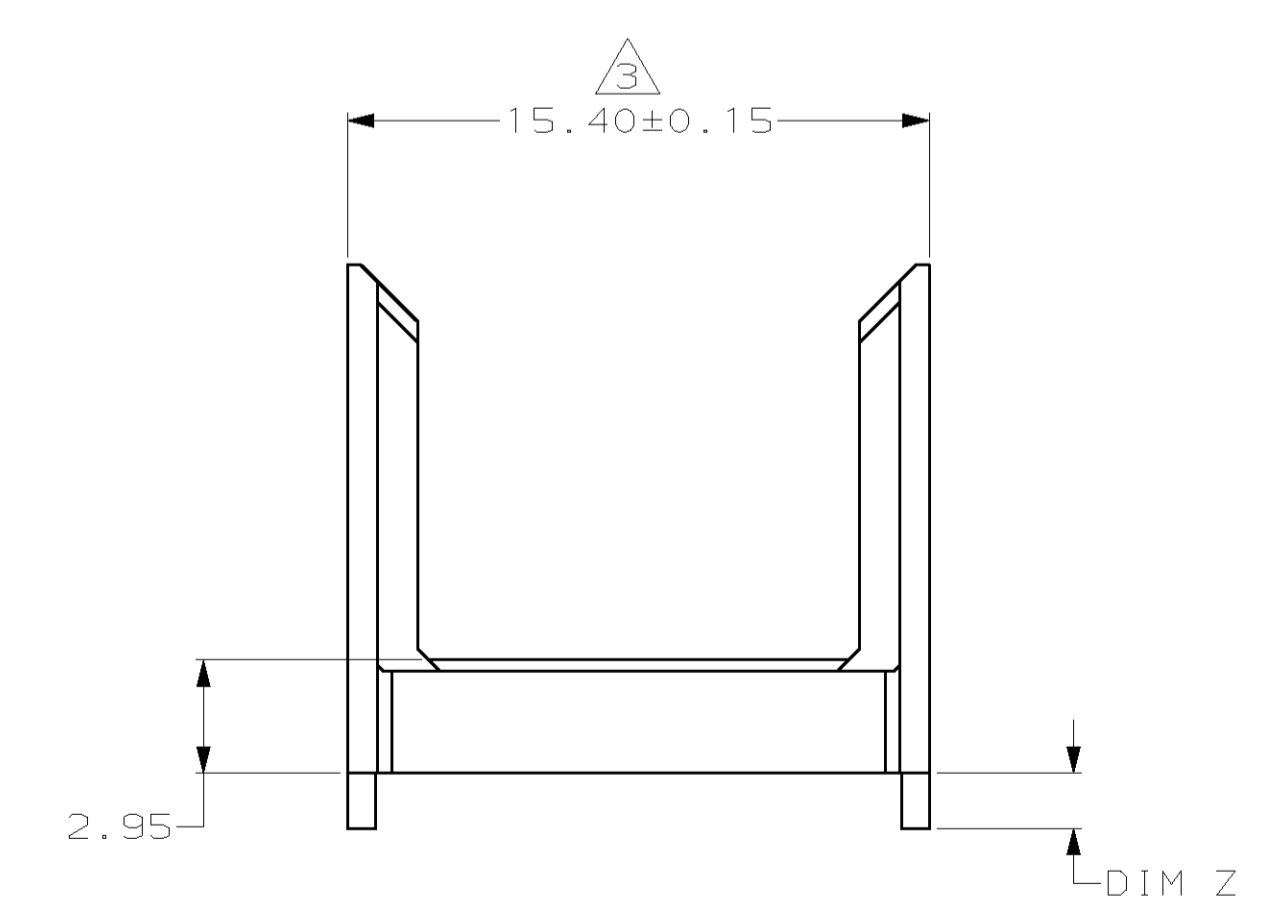
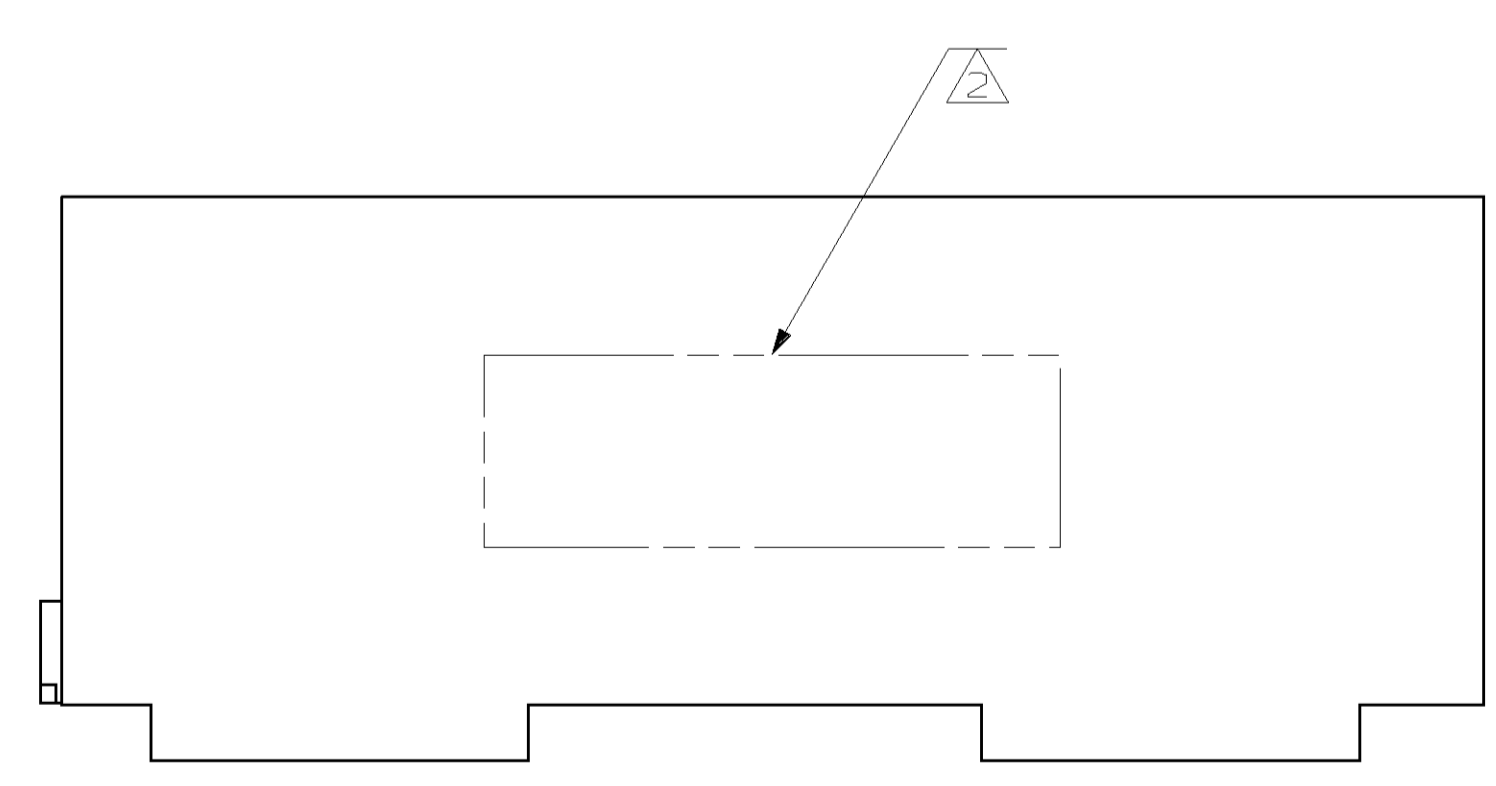
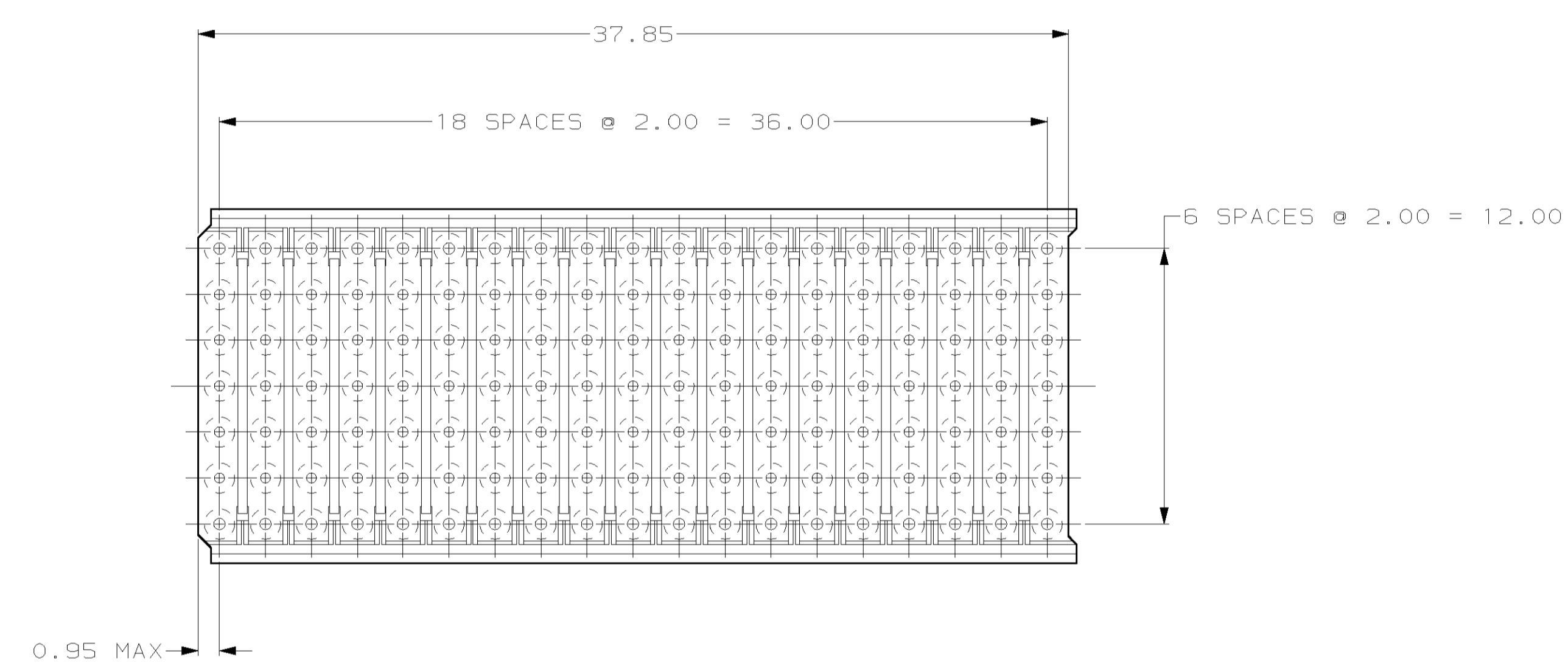


LOC	DIST	REVISIONS			
F	CHR	DESCRIPTION	DATE	OWN	APVD
AD	47	B	REVISE PER ECN 0U1B-0389-00	22JAN01	SU RP
		C	REV PER EC 0U1B-0192-01	27 JUN 01	BC RP



- 1 MATERIAL: GLASS FILLED POLYESTER.
- 2 PART NUMBER MARKED IN APPROXIMATE AREA SHOWN.
- 3 TO BE MEASURED AT BASE OF SHROUD.



1.90	646481-7
1.70	646481-6
1.50	646481-5
1.30	646481-4
1.10	646481-3
0.90	646481-2
-----	646481-1
DIM Z	PART NUMBER

THIS DRAWING IS A CONTROLLED DOCUMENT.

DWN	T. SHUEY	9-29-98
CHK	G. SKIPPER	11-23-98
APVD	G. SKIPPER	11-23-98
PRODUCT SPEC		
APPLICATION SPEC		
WEIGHT		
CUSTOMER DRAWING		

AMP Incorporated
 Harrisburg, PA 17105-3608

NAME: SHROUD, TYPE B, Z-PACK 2mm HM, 5 ROW, 133 POSITION

SIZE: A1 CAGE CODE: 00779 DRAWING NO: 646481 RESTRICTED TO: -

SCALE: 5:1 SHEET: 1 OF 1 REV: C