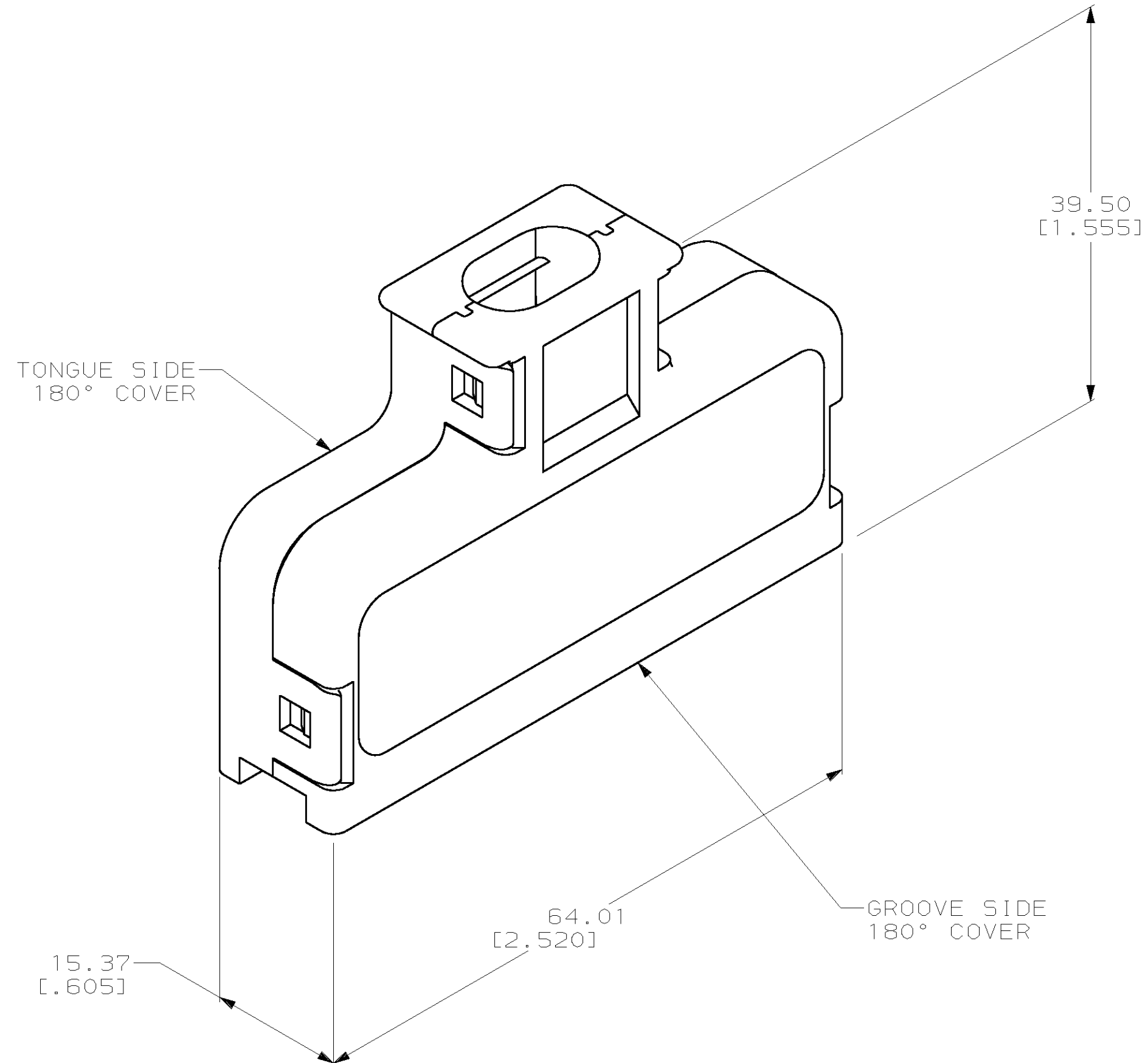


THIS DRAWING IS UNPUBLISHED. RELEASED FOR PUBLICATION
 BY AMP INCORPORATED, ALL RIGHTS RESERVED.

LOC	DIST	REVISIONS					
		P	LTR	DESCRIPTION	DATE	DWN	APVD
AA	20		U	REVISED; EC 0UF0-0169-01	15OCT01	DLD	EWB



- 1. MATERIAL: POLYPHENYLENE OXIDE MOLDING COMPOUND. SEE TABLE FOR COLOR.
- 2. ALL DIMENSIONS SHOWN ARE MAXIMUM UNLESS OTHERWISE SPECIFIED.
- 3. 100 KITS BULK PACKAGED.

12.19-13.97 [.480-.550]	ALMOND	4-552007-2	4-552006-2	4-552008-2
12.19-13.97 [.480-.550]	BLACK	4-552007-1	4-552006-1	4-552008-1
8.38-9.65 [.330-.380]	BLACK	3-552007-1	3-552006-1	3-552008-1
9.65-10.92 [.380-.430]	BLACK	2-552007-1	2-552006-1	2-552008-1
10.92-12.45 [.430-.490]	GRAY	552007-4	552006-4	552008-4
10.92-12.45 [.430-.490]	BLACK	552007-1	552006-1	552008-1
CABLE RANGE DIAMETER	COLOR	GROOVE SIDE PART NO.	TONGUE SIDE PART NO.	KIT PART NO.

<small>THIS DRAWING IS A CONTROLLED DOCUMENT FOR AMP INCORPORATED. IT IS SUBJECT TO CHANGE AND THE CONTROLLING ENGINEERING ORGANIZATION SHOULD BE CONTACTED FOR THE LATEST REVISION.</small>		DWN D. STRAUSSER 16APR97 CHK M. HUGHES 21APR97 APVD M. HUGHES 21APR97	AMP AMP Incorporated Harrisburg, PA 17105-3608	
DIMENSIONS: mm [INCHES]	TOLERANCES UNLESS OTHERWISE SPECIFIED: 0 PLC ±- 1 PLC ±- 2 PLC ±- 3 PLC ±- 4 PLC ±- ANGLES ±- FINISH -	PRODUCT SPEC - APPLICATION SPEC - WEIGHT -	COVER KIT, 180 DEGREE, 50 POSITION, CHAMP	
MATERIAL 		CUSTOMER DRAWING	SIZE A2	CAGE CODE 00779
			DRAWING NO C-552008	RESTRICTED TO -
			SCALE 2:1	SHEET 1 OF 1
			REV U	

552008