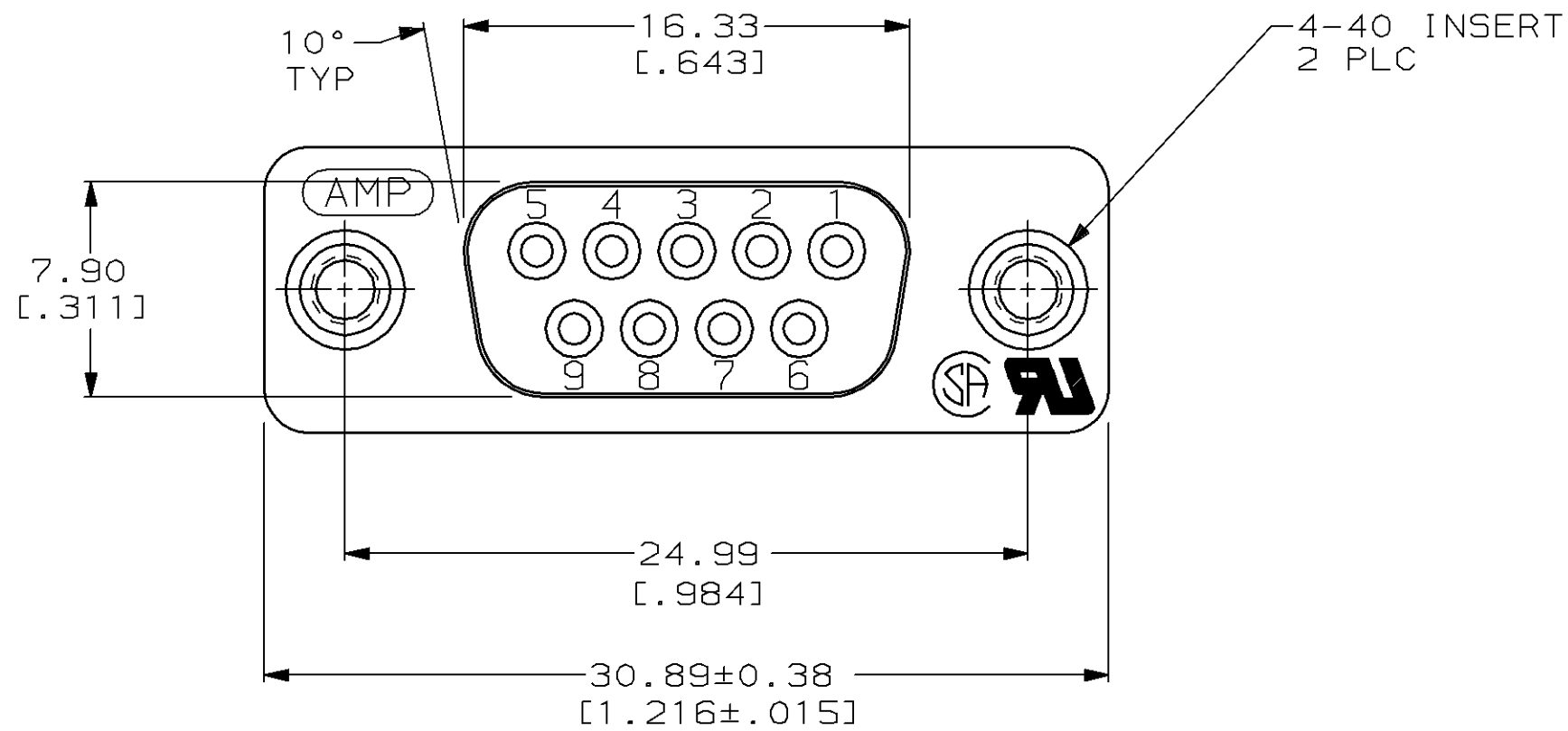
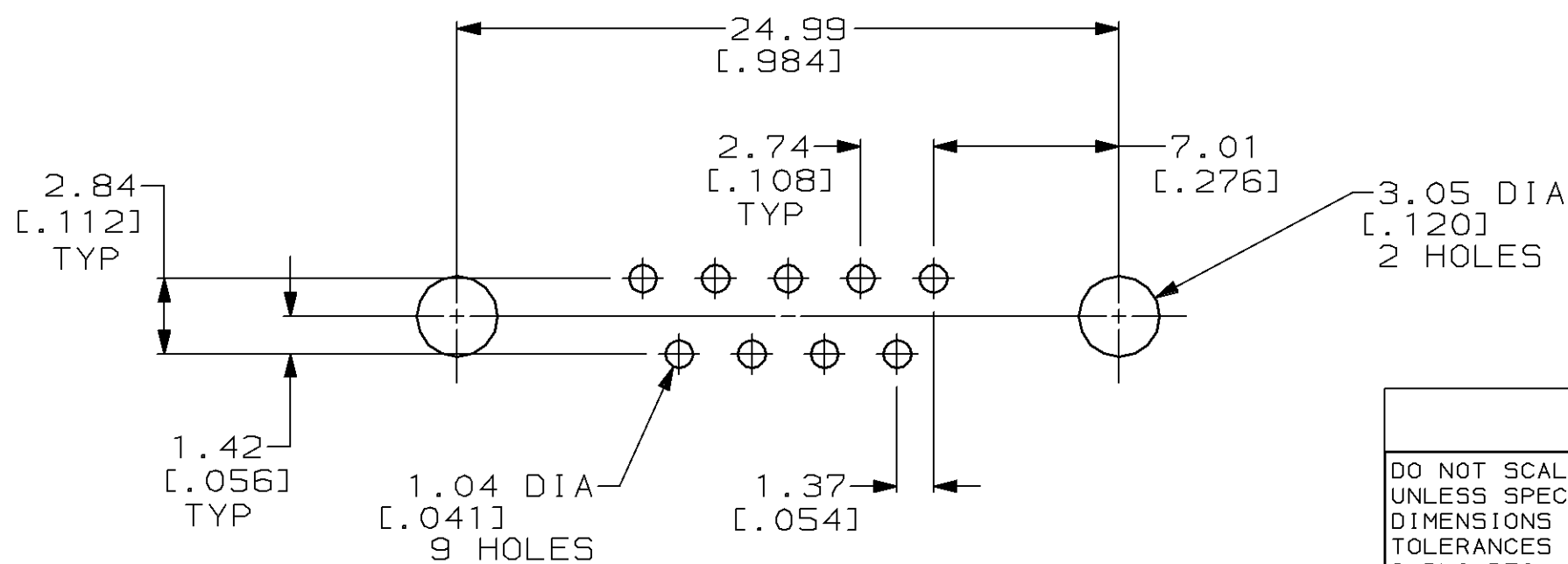
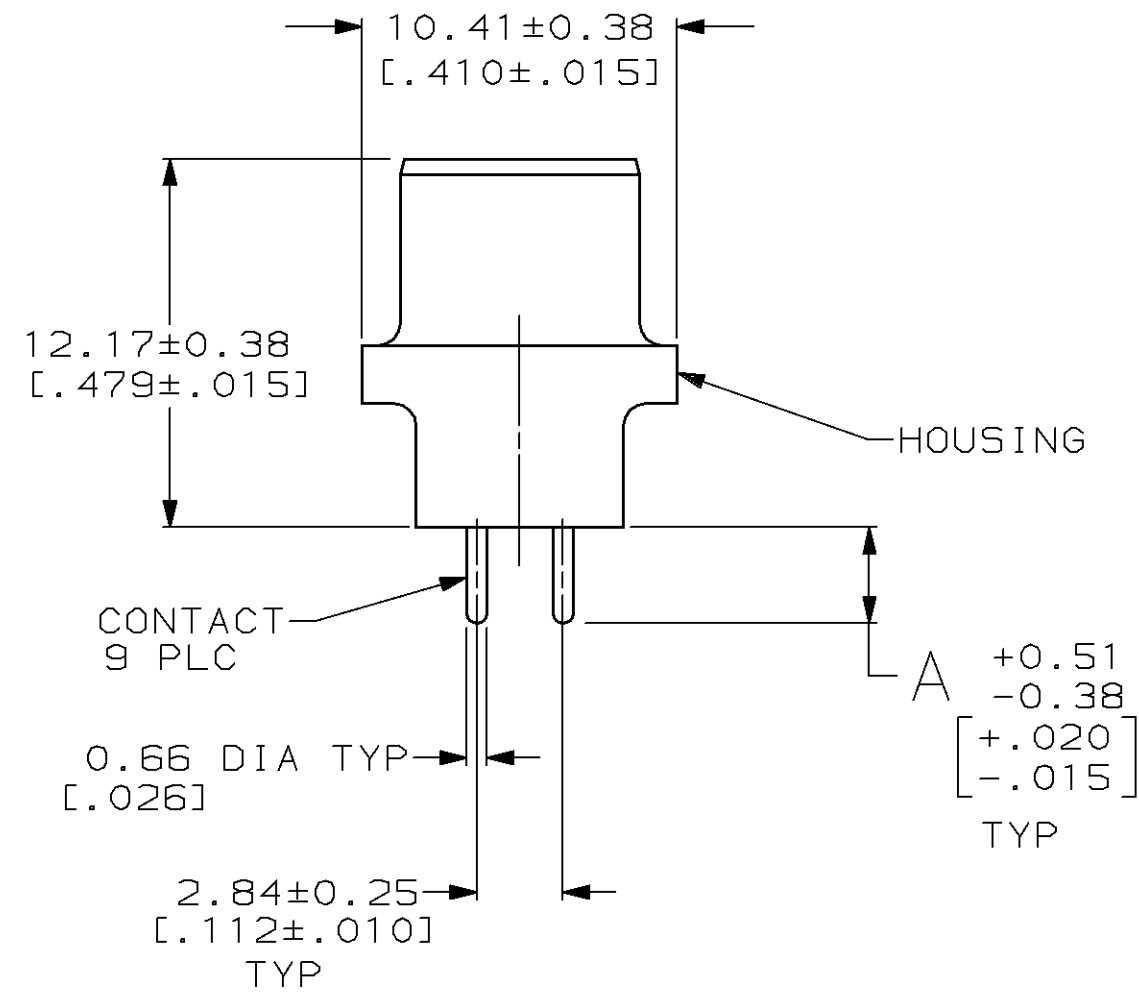
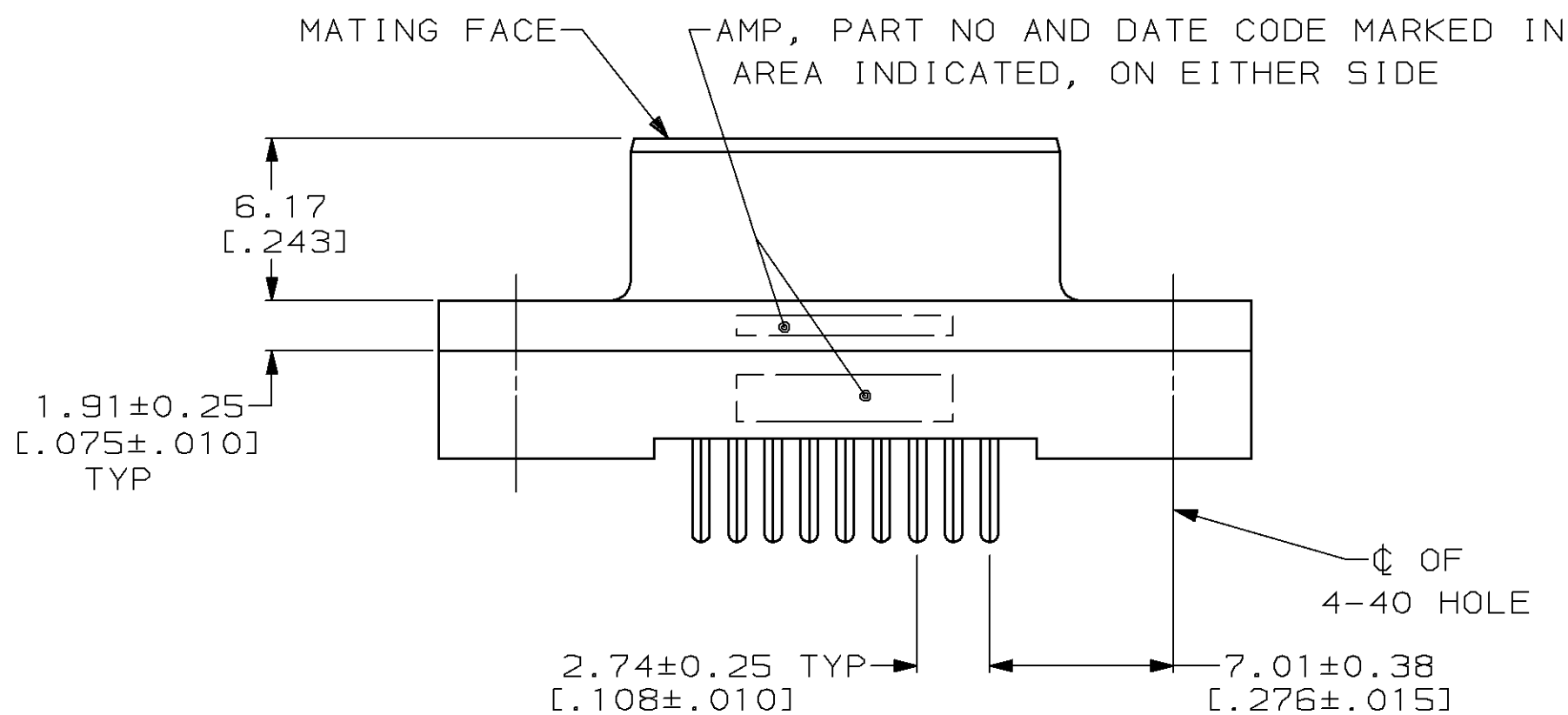


LOC	DIST	P	F	REVISIONS				
				ZONE	LTR	DESCRIPTION	DATE	APPD
BD	77			E		REDRAWN & REVISED, ECN BD3361	11-89	-
				F		SUPSD-7 & OBS-1, -5, -6 PER EC 0020-964-93	04/11/94	CR



- ① HOUSING: BLACK POLYESTER, UL 94V-0 RATED; CONTACTS: PHOSPHOR BRONZE PER QQ-B-750; INSERTS: BRASS PER QQ-B-626.
- ② GOLD PLATING PER MIL-G-45204, TIN PLATING PER MIL-T-10727, NICKEL PLATING PER QQ-N-290.
- ③ GOLD FLASH FOR A LENGTH OF 2.54[.100] MIN FROM MATING END, 2.54μm[.000100] MIN TIN OR TIN-LEAD FOR A LENGTH OF DIMENSION A FROM OPPOSITE END, ALL OVER 1.27μm[.000050] MIN NICKEL.
- ④ 0.76μm[.000030] MIN GOLD FOR A LENGTH OF 2.54[.100] MIN FROM MATING END, 2.54μm[.000100] MIN TIN OR TIN-LEAD FOR A LENGTH OF DIMENSION A FROM OPPOSITE END, ALL OVER 1.27μm[.000050] MIN NICKEL.



RECOMMENDED PC BOARD MOUNTING DIMENSIONS

SIZE	CAGE CODE	DRAWING NO
6.35 [.250]	④	207841-8
6.35 [.250]	③	207841-7
OBSOLETE	④	207841-6
OBSOLETE	③	207841-5
3.18 [.125]	④	207841-4
3.18 [.125]	③	207841-3
OBSOLETE	③	207841-1

DO NOT SCALE PRINT. UNLESS SPECIFIED DIMENSIONS IN mm [INCHES] TOLERANCES ON:		DR 11-16-89 J McCLINTON	
2 PLC DEC ± 0.13 [.005]	3 PLC DEC ± -	CHK 2-1-90 R.STONE	APPD 2-2-90 S.SCHIEFERLY
ANGLES ± 2°		MATERIAL ①	APPD 2-5-90 C.ROHDE
FINISH ②	CONTACT: SEE TABLE	PRODUCT SPEC 108-40025	NAME RECEPTACLE ASSEMBLY, SIZE 1, 9 POSN, VERTICAL, AMPLIMITE® HD-20
		APPLICATION SPEC -	SIZE C
		WEIGHT -	CAGE CODE 00779
			DRAWING NO 207841
			SCALE 4:1
			SHEET 1 OF 1