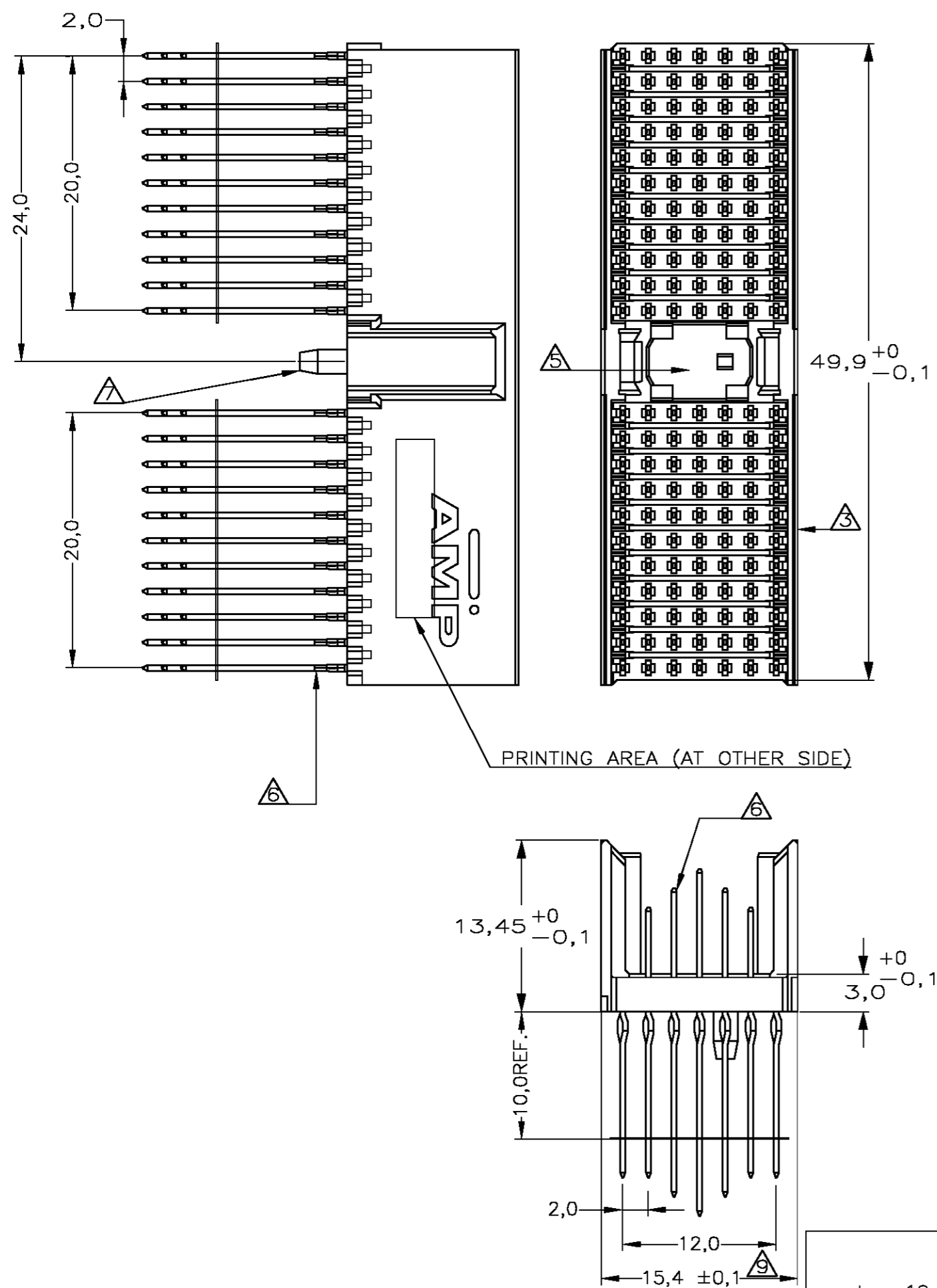
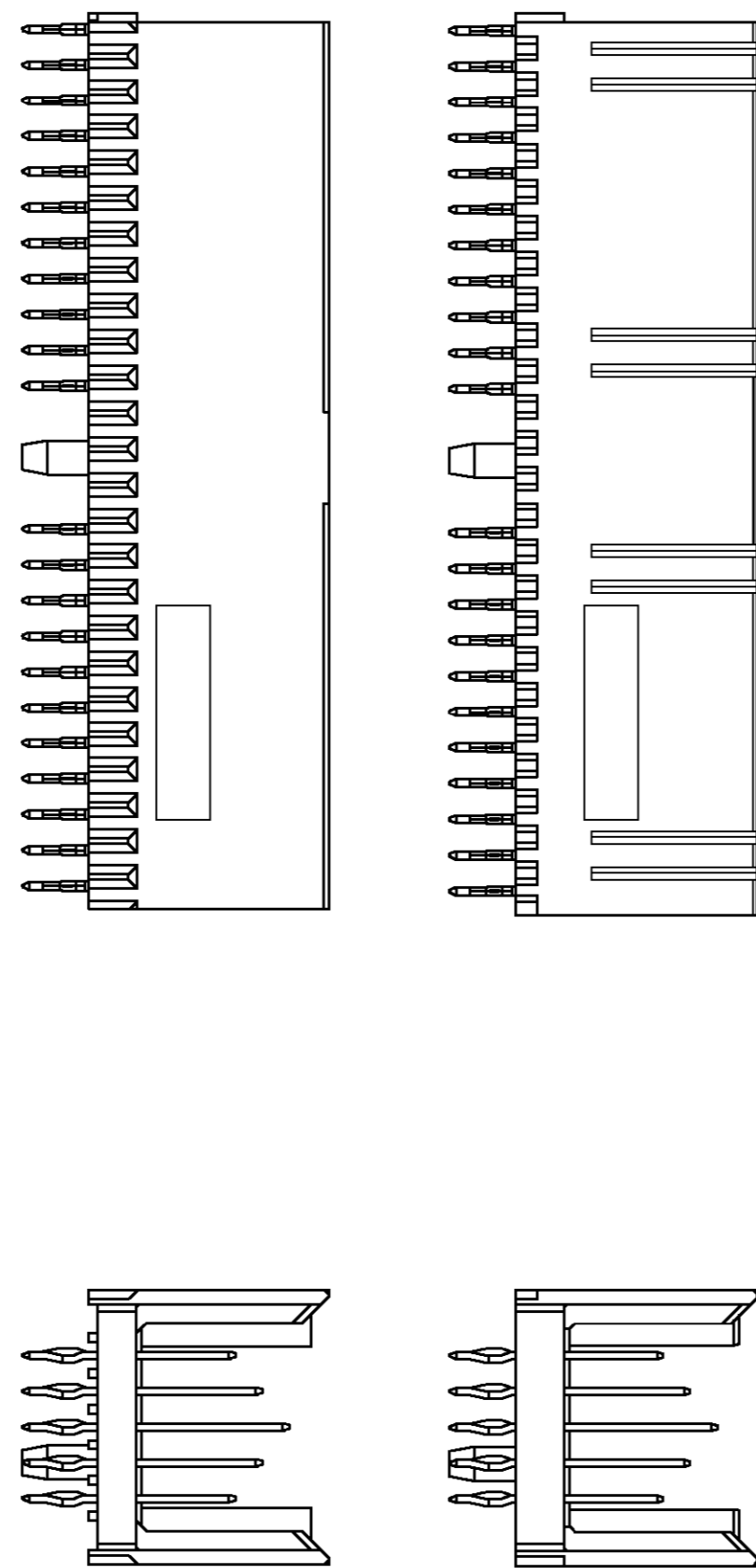


THIS DRAWING IS UNPUBLISHED. RELEASED FOR PUBLICATION  
 © COPYRIGHT BY TYCO ELECTRONICS CORPORATION. ALL RIGHTS RESERVED.

### CONNECTOR ASSEMBLY EXEMPLARY LOADED



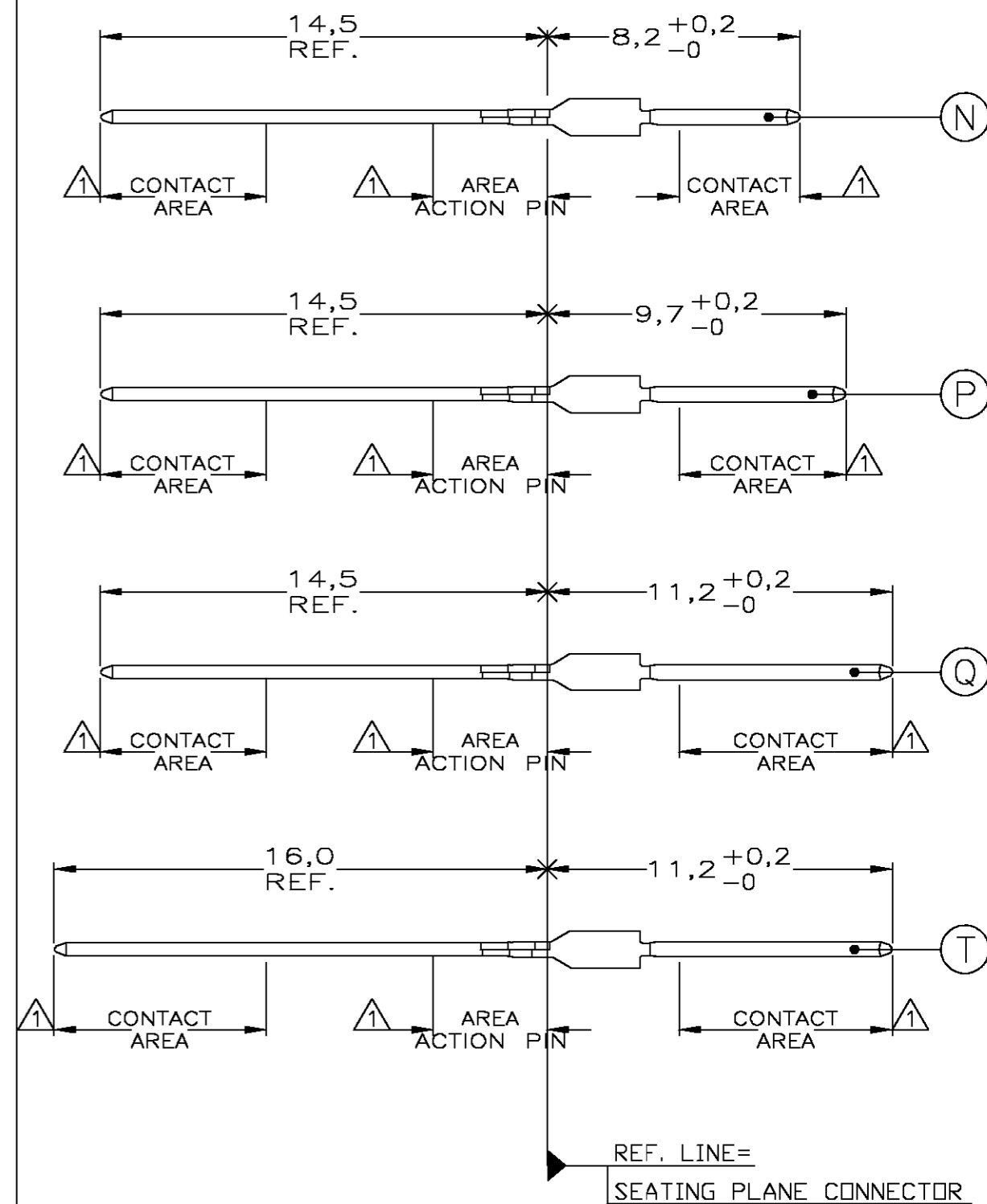
### CONNECTOR APPEARANCES POSSIBLE VERSIONS



### CONTACT LAYOUT

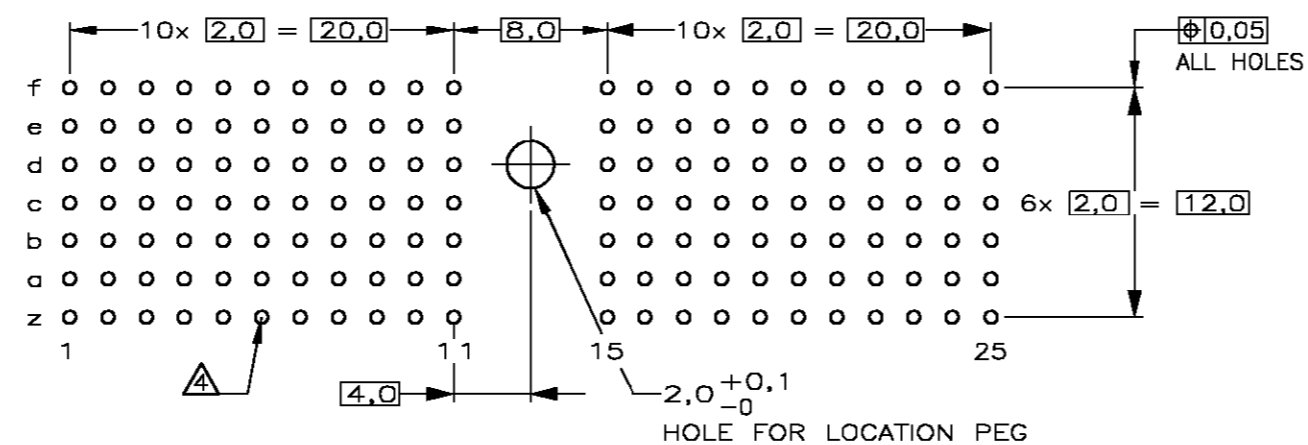
	z	a	b	c	d	e	f
1	T	P	P	P	P	P	T
2	T	P	P	P	P	P	T
3	T	P	P	P	P	P	T
4	T	P	P	P	P	P	T
5	T	P	P	P	P	P	T
6	T	P	P	P	P	P	T
7	T	P	P	P	P	P	T
8	T	P	P	P	P	P	T
9	T	P	P	P	P	P	T
10	T	P	P	Q	P	P	T
11	T	P	N	P	P	P	T
MULTI PURPOSE CENTRE							
15	T	P	P	P	P	P	T
16	T	P	P	P	P	P	T
17	T	P	P	P	P	P	T
18	T	P	P	P	P	P	T
19	T	P	P	P	P	P	T
20	T	P	P	P	P	P	T
21	T	P	P	P	P	P	T
22	T	P	P	P	P	P	T
23	T	P	P	P	P	P	T
24	T	P	P	P	P	P	T
25	T	P	P	P	P	P	T

### CONTACT DIMENSIONS



#### NOTES:

- ▲ FOR FINISH TYPES SEE PLATING TABLE.
- ▲ MATERIAL CONTACT: PHOSPHORBRONZE.
- ▲ MATERIAL POST ALIGNMENT STRIP: UNFILLED POLYESTER
- ▲ MATERIAL HOUSING: GREY GLASSFILLED POLYESTER UL-RATING 94V0.
- ▲ CONNECTOR MARKED WITH PART NUMBER AND DATE CODE. (OTHER MARKING OPTIONAL)
- ▲ PLATED-THROUGH HOLES AT 2x2mm SQUARE GRID,
- ▲ AREA FOR KEYING PART (BASIC PART NUMBER 100525).
- ▲ FOR ACTUAL PIN LOADING SEE "CONTACT LAYOUT".
- ▲ LOCATION PEG.



RECOMMENDED PCB-HOLE LAY-OUT  
COMPONENT SIDE SHOWN

P.C.B. HOLE DIM. ACTION PIN  
 DRILLED HOLE: 0,7± 0,025mm  
 FIN. HOLE : 0,55 TO 0,65mm  
 Cu-thks : 0,025 TO 0,050mm  
 SnPb-thks : 0,004 TO 0,010mm

0-1345330-1	1,27	0,76	0.5-2.5	No	▲
PART NUMBER	UNDER-COATING µm Ni MIN.	CONTACT AREA µm Au MIN.	ACTION-PIN AREA µm Sn/Pb	CONSERVATION TREATMENT	
	FINISH				MATERIAL
THIS DRAWING IS A CONTROLLED DOCUMENT.					
DIMENSIONS: MM	TOLERANCES UNLESS OTHERWISE SPECIFIED:	DWN: 2-AUG-'01	Tyco Electronics Corporation		
0 PLC ± -	1 PLC ± -	CHK: Frederik Beun	Oostkamp - BELGIUM		
2 PLC ± -	3 PLC ± -	APVD: -	NAME: Z-PACK 2mm HM TYPE A		
4 PLC ± -	ANGLES ± -	PRODUCT SPEC: 108-19082	154 POS. MALE		
MATERIAL: -	FINISH: -	APPLICATION SPEC: 114-19029	CONNECTOR ASSEMBLY		
		WEIGHT: -	SIZE: A2	CAGE CODE: 00779	DRAWING NO: 1345330
		CUSTOMER DRAWING	SCALE: 5:1	SHEET: 1 OF 1	REV: B