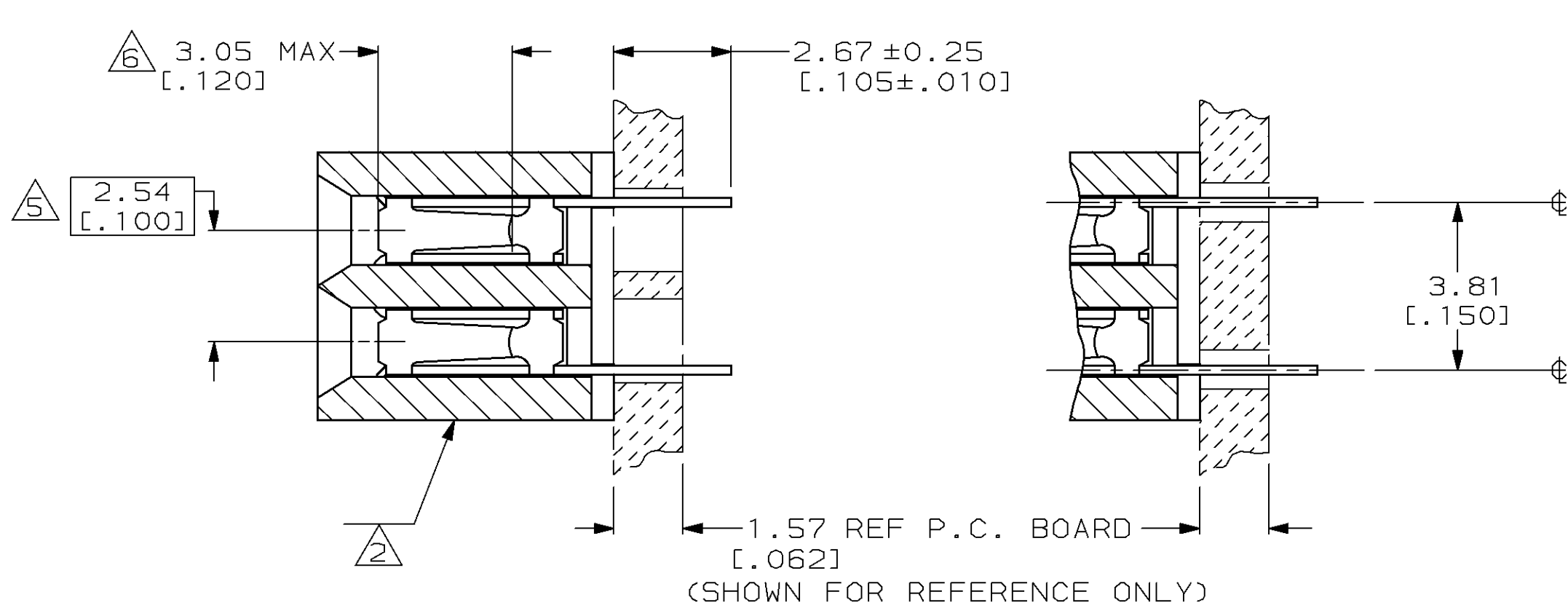
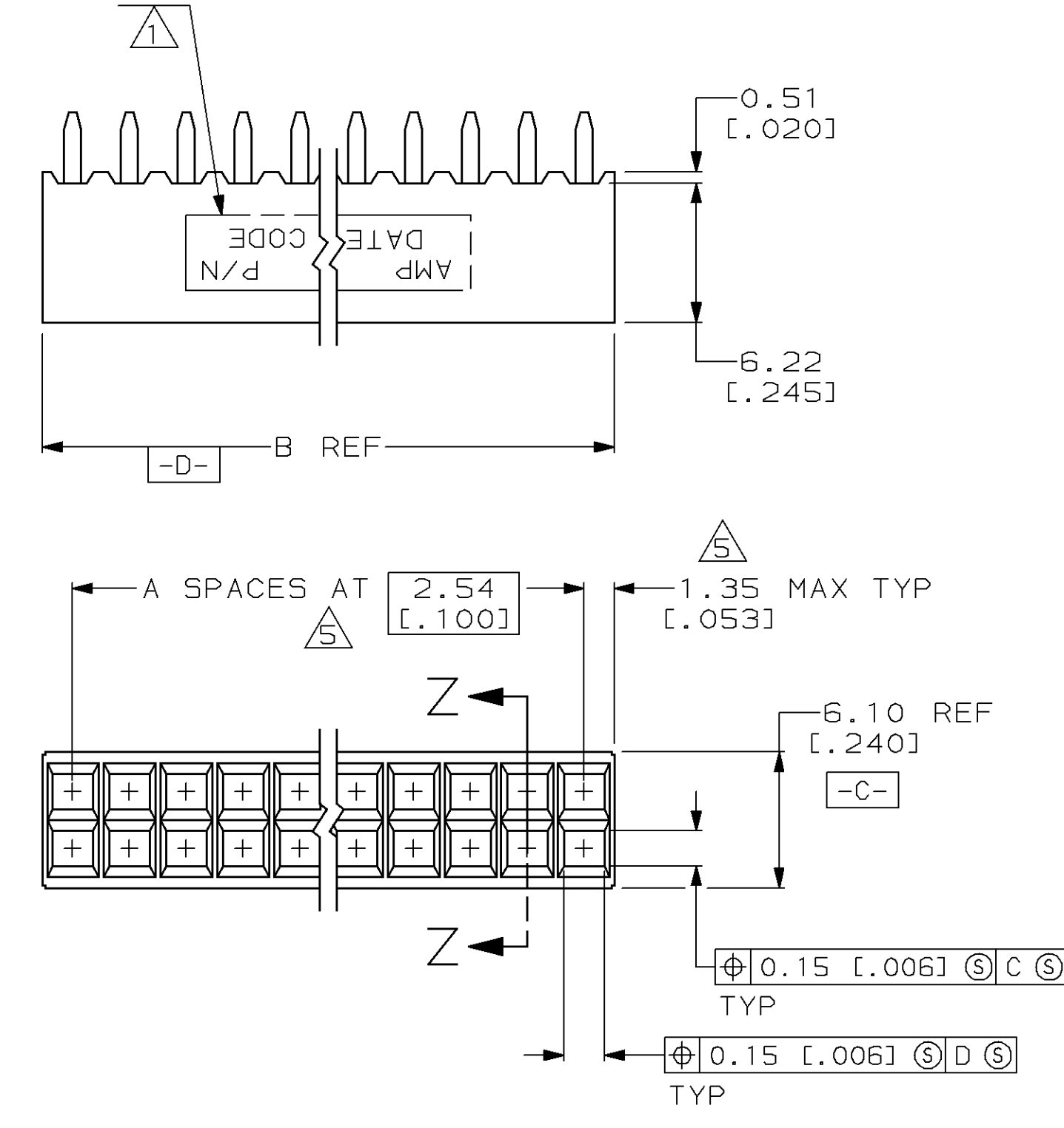


FOR POST TIP CLEARANCE THRU BOARD (SEE SECTION Z-Z)
 CLOSED BOTTOM - FOR TINE INSERTION ONLY (SEE SECT Z-Z ALTERNATE)

RECOMMENDED MOUNTING HOLE LAYOUT



SECTION Z-Z
SCALE 8:1

SECTION Z-Z ALTERNATE
SCALE 8:1

- 1 "AMP", "CSA", DATE CODE AND PART NUMBER, MARKED WITH .062±.015 HIGH CHARACTERS IN WHITE. THE ORDER AND LOCATION IS OPTIONAL.
- 2 HOUSING: FLAME RETARDANT THERMOPLASTIC; COLOR: BLACK.
- 3 CONTACT: PHOSPHOR BRONZE.
- 4 CONTACT FINISH: DUPLEX PLATED 0.00076 [0.00030] GOLD IN CONTACT AREA, 0.00254-0.00508 [0.000100-.000200] BRIGHT TIN-LEAD ON SOLDER TINES, ALL OVER 0.00127 [0.00050] NICKEL.
- 5 THESE DIMENSIONS PERTAIN TO CAVITY Ø'S ONLY, NOT TO CONTACT LOCATIONS.
- 6 POINT OF MEASUREMENT FOR PLATING THICKNESS (INSIDE CONTACT BEAMS).
- 7. CSA LOGO INK STAMPED WHITE ON HOUSING.

LOC	Q1ST	P	F	ZONE	LTR	DESCRIPTION	DATE	APPD
					J	EC 0010-1306-95	7/31/96	AG
					K	EC 0010-1648-95	9/17/96	AG
					L	EC 0010-1651-95	9/17/96	AG
					M	EC 0010-0710-96	10/23/96	AG
					N	EC 0010-0720-96	2/5/97	HJ
					P	EC 0503-0438-96	4/30/97	HJ
					R	PER EC 0503-0328-96	T.S. 8-12-97	HJ

SUPERSEDED BY	101.75 [4.006]	39	80	4-103183-0
OBSOLETE	-	-	-	3-103183-9
OBSOLETE	-	-	-	3-103183-8
OBSOLETE	-	-	-	3-103183-7
OBSOLETE	-	-	-	3-103183-6
OBSOLETE	-	-	-	3-103183-5
OBSOLETE	81.43 [3.206]	31	64	3-103183-4
SUPERSEDED BY 3-535542-1	78.89 [3.106]	30	62	3-103183-3
OBSOLETE	-	-	-	3-103183-2
OBSOLETE	-	-	-	3-103183-1
OBSOLETE	-	-	-	3-103183-0
OBSOLETE	-	-	-	2-103183-9
OBSOLETE	-	-	-	2-103183-8
OBSOLETE	-	-	-	2-103183-7
OBSOLETE	56.03 [2.206]	21	44	2-103183-6
OBSOLETE	-	-	-	2-103183-5
SUPERSEDED BY 1-535542-8	45.87 [1.806]	17	36	2-103183-4
OBSOLETE	-	-	-	2-103183-3
OBSOLETE	-	-	-	2-103183-2
OBSOLETE	10.31 [0.406]	3	8	2-103183-1
OBSOLETE	-	-	-	2-103183-0
OBSOLETE	94.13 [3.706]	36	74	1-103183-9
OBSOLETE	76.35 [3.006]	29	60	1-103183-8
SUPERSEDED BY 1-535542-5	63.65 [2.506]	24	50	1-103183-7
SUPERSEDED BY 2-535542-0	50.95 [2.006]	19	40	1-103183-6
SUPERSEDED BY 1-535542-9	48.41 [1.906]	18	38	1-103183-5
OBSOLETE	43.33 [1.706]	16	34	1-103183-4
OBSOLETE	38.25 [1.506]	14	30	1-103183-3
OBSOLETE	35.71 [1.406]	13	28	1-103183-2
OBSOLETE	33.17 [1.306]	12	26	1-103183-1
OBSOLETE	30.63 [1.206]	11	24	1-103183-0
OBSOLETE	28.09 [1.106]	10	22	103183-9
OBSOLETE	25.55 [1.006]	9	20	103183-8
OBSOLETE	20.47 [0.806]	7	16	103183-7
OBSOLETE	17.93 [0.706]	6	14	103183-6
SUPERSEDED BY 535542-6	15.39 [0.606]	5	12	103183-5
OBSOLETE	12.85 [0.506]	4	10	103183-4
OBSOLETE	7.77 [0.306]	2	6	103183-3
OBSOLETE	5.23 [0.206]	1	4	103183-2
OBSOLETE	2.69 [0.106]	-	2	103183-1

DO NOT SCALE PRINT. UNLESS SPECIFIED DIMENSIONS IN mm [INCHES] TOLERANCES ON: 2 PLC DEC ± 0.13 [0.005] 3 PLC DEC ± - ANGLES ± -	DR R. BOLES 11/25/92 CHK T. KINSEY 12/2/92 APPD T. KINSEY 12/2/92 APPD B. FLINCHBAUGH 12/2/92	AMP Incorporated Harrisburg, PA 17105-3608	
HOUSING: 2 CONTACT: 3	MATERIAL - PRODUCT SPEC -	NAME RECEPTACLE ASSY, MOD IV, DBL ROW, 2.54 X 2.54 [0.100 X 0.100] Ø, TOP ENTRY, VERTICAL PC BOARD MOUNTING	
FINISH CONTACT: 4	APPLICATION SPEC - WEIGHT -	SIZE D CAGE CODE 00779 SCALE 4:1	DRAWING NO 103183 SHEET 1 OF 1

