

General Description

Operating Frequencies

Digital Wrapper functionality is available on the Hudson without regard to the actual data rate. The table below shows the supported frequencies of operation for Digital Wrapper transponder and SONET/SDH monitoring applications. Note that SONET/SDH monitoring is only supported for the OC-192 rate.

Mode	Frequency (Data Rate)
Digital Wrapper	6.25 MHz (100 Mbps) to 693.483 MHz (11.096 Gbps) ¹
SONET/SDH Monitoring	622.08 MHz (9.95 Gbps) ONLY

1. Note: G.709 specifies exact rates for the Digital Wrapper. At the OTU2 rate, the frequency of the Hudson data ports is 669.33 MHz. The Hudson can be safely run at lower rates than specified in G.709 if compatibility to the standard is not required.

Typical Full Duplex Application

In the Full-Duplex configuration, the encode side and decode side of the Hudson can operate independently as shown below. At the input to the encode side of the Hudson is a SONET monitor which can verify the integrity of the SONET data stream prior to wrapping and FEC. At the output of the decode side, another SONET monitor

exists after decoding and deframing, to verify the integrity of the wrapper's SONET payload before it exits the Hudson. Wrapper overhead insertion and extraction, encoding and decoding, and performance monitoring are carried out on the output and input data streams respectively. The Hudson also contains many features to help the user with device integration and line testing. The Hudson high speed I/O is also compatible with the AMCC SONET/SDH Mapper or Interleaver/Disinterleaver. A typical edge application is shown below.

Typical Single-line Application

The following figures also illustrate a typical network application for the Hudson supporting a single data stream with dual redundant input and output lines. This configuration is useful for core transponder applications where it is desired to correct errors and do performance monitoring and output a corrected and FEC encoded data stream with or without new Optical Channel Overhead (Digital Wrapper OH) bytes. Data is received from the fiber and passed through a Clock/Data Recovery device (CDR) and a demultiplexer device to the Hudson. The Hudson optionally carries out SONET/SDH monitoring, digital wrapper performance monitoring, error checking, and overhead data extraction and insertion. Detected errors and accumulated error counts can be accessed by the user either through a processor interface, an FPGA interface, or in a number of cases, from I/O pins. The data stream is then transmitted out onto the fiber via a high-speed multiplexer and an optics device. FEC decoding and encoding may be disabled individually.

Figure 2: Full-Duplex Configuration

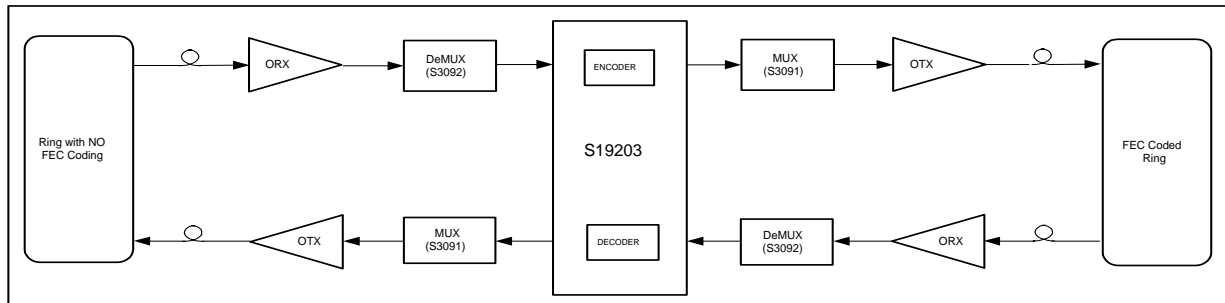


Figure 3: Typical Edge Application

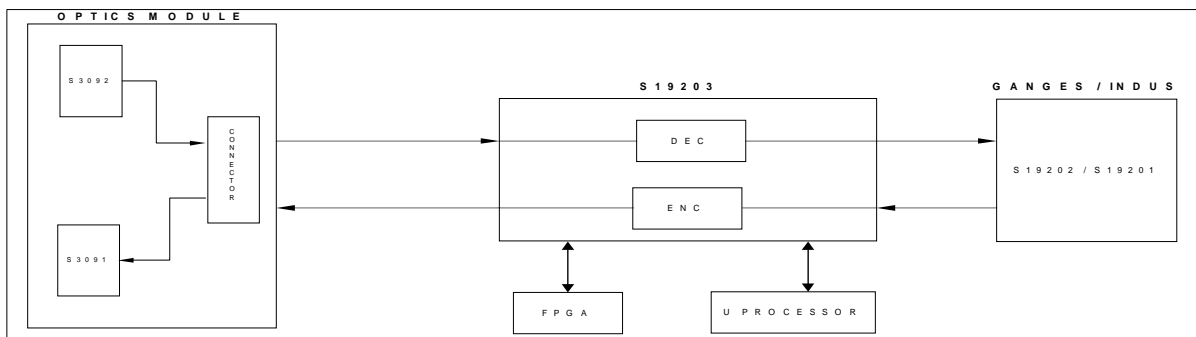


Figure 4: Dual-Redundant, SingleLine Configuration

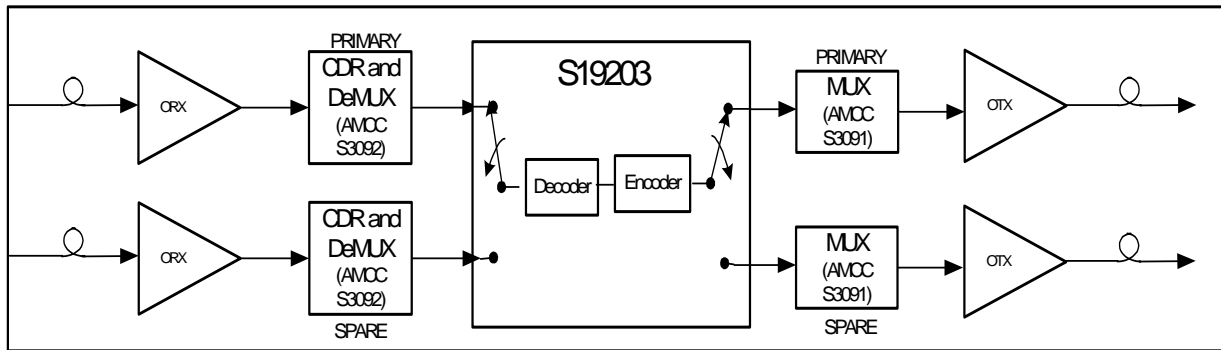
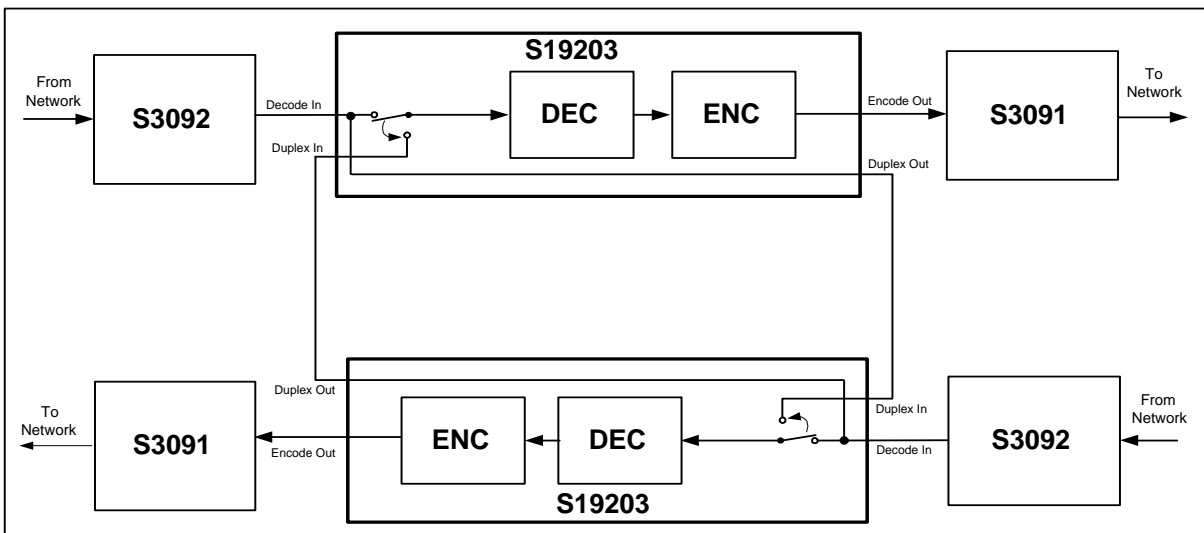


Figure 5: Self-Healing BLSR FEC Encoded Network



AMCC reserves the right to make changes to its products, or to discontinue any product or service without notice, and advises its customers to obtain the latest version of relevant information to verify, before placing orders, that the information being relied upon is current. AMCC is a registered trademark of Applied Micro Circuits Corporation. Copyright © 2002 Applied Micro Circuits Corporation. All Rights Reserved.

200 Minuteman Road • Andover, MA 01810 • Tel: 978-247-8000 • Fax: 978-623-0024 • <http://www.amcc.com> technical support, please call 800 840-6055 or email productsupport@amcc.com

