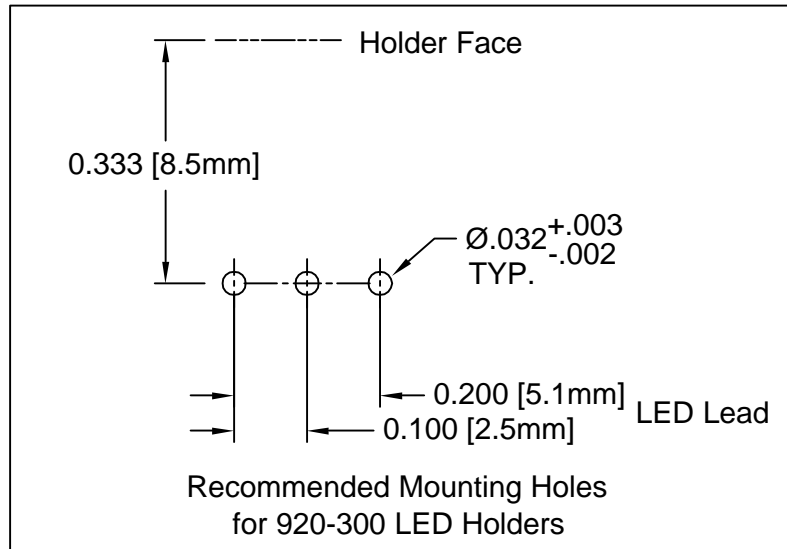
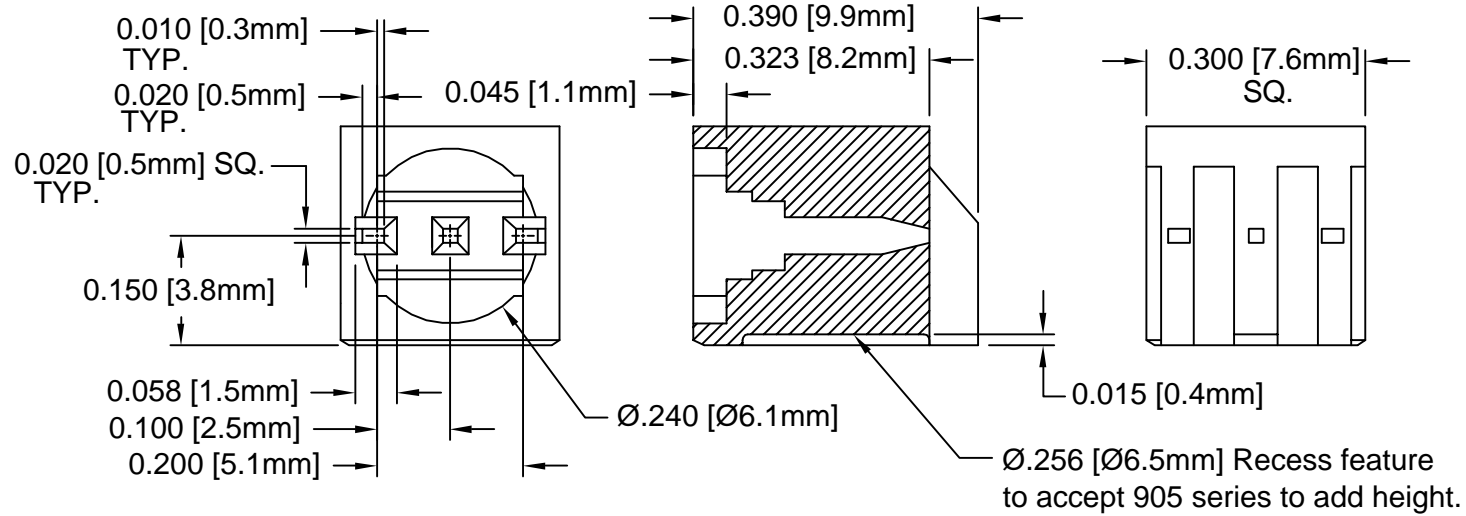




REV.	DESCRIPTION	DATE	APPROVED
B	Engineering Update w/o Changes	02/23/04	M. C.
C	Updated Recommended Mounting Holes	08/31/07	M. C.



2. MATERIAL: NYLON 6/6, 94V-2, NATURAL. BIVAR MATERIAL CODE 03-NL. BASF ULTRAMID NYLON 6/6 A3K NATURAL.
1. GENERAL SPECIFICATIONS: BIVAR MOLDED COMPONENT SPECIFICATION BV00-E101.

STANDARD TOLERANCE (UNLESS OTHERWISE SPECIFIED)		 4 THOMAS, IRVINE, CA. 92618 TEL: (949) 951-8808 FAX: (949) 951-3974	
DECIMALS	ANGULAR		
.X ± .1	X° ± 1°	 TITLE: SINGLE T-1(3mm) LED HOLDER	
.XX ± .01			
.XXX ± .005			
DESIGNED: David Green	DATE: 07/14/03	PART NO: 920-300	REVISION: C
CHECKED: M. Chen	DATE: 07/14/03	CAGE CODE : 32559	SHEET # 1 OF 1
CAD GENERATED DOCUMENT, DO NOT MEASURE DRAWING.			

Find price and stock options from leading distributors for 920-300 on Findchips.com:

<https://findchips.com/search/920-300>

Find CAD models and details for this part:

<https://findchips.com/detail/920-300/Bivar-Inc>