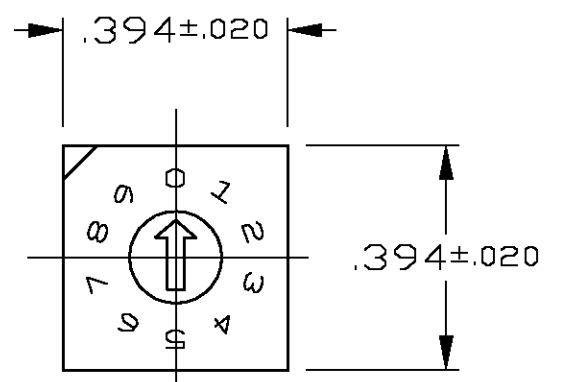


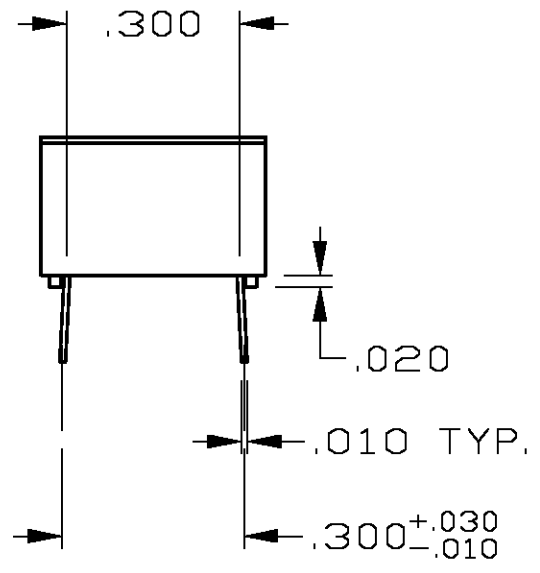
THIS DRAWING IS UNPUBLISHED. RELEASED FOR PUBLICATION
 © COPYRIGHT BY TYCO ELECTRONICS CORPORATION. ALL RIGHTS RESERVED.

LOC		DIST		REVISIONS			
P	LTR	DESCRIPTION	DATE	DWN	APVD		
D		REV PER 063C-0223-04	20APR04	RB	MS		

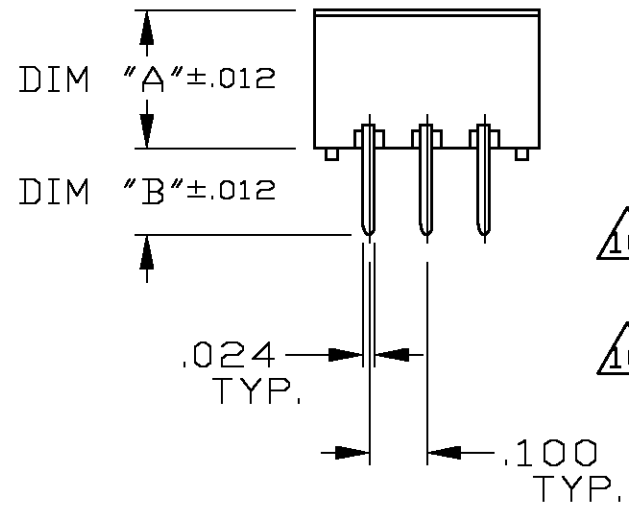


DIM	DR	RC *RA RR
A	.236	.256
B	.146	.126

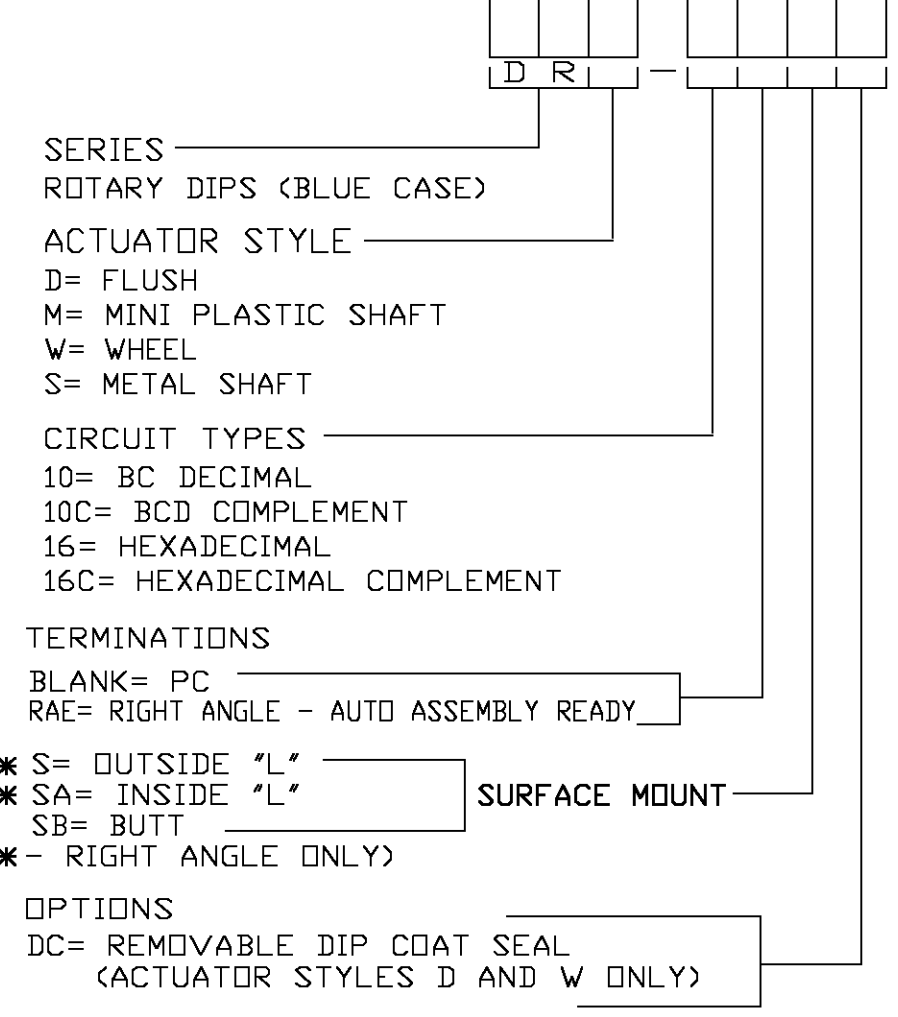
* NO STANDOFFS ON RC,RA,RR MODELS



DRD PC MOUNT



HOW TO ORDER



SPECIFICATIONS:

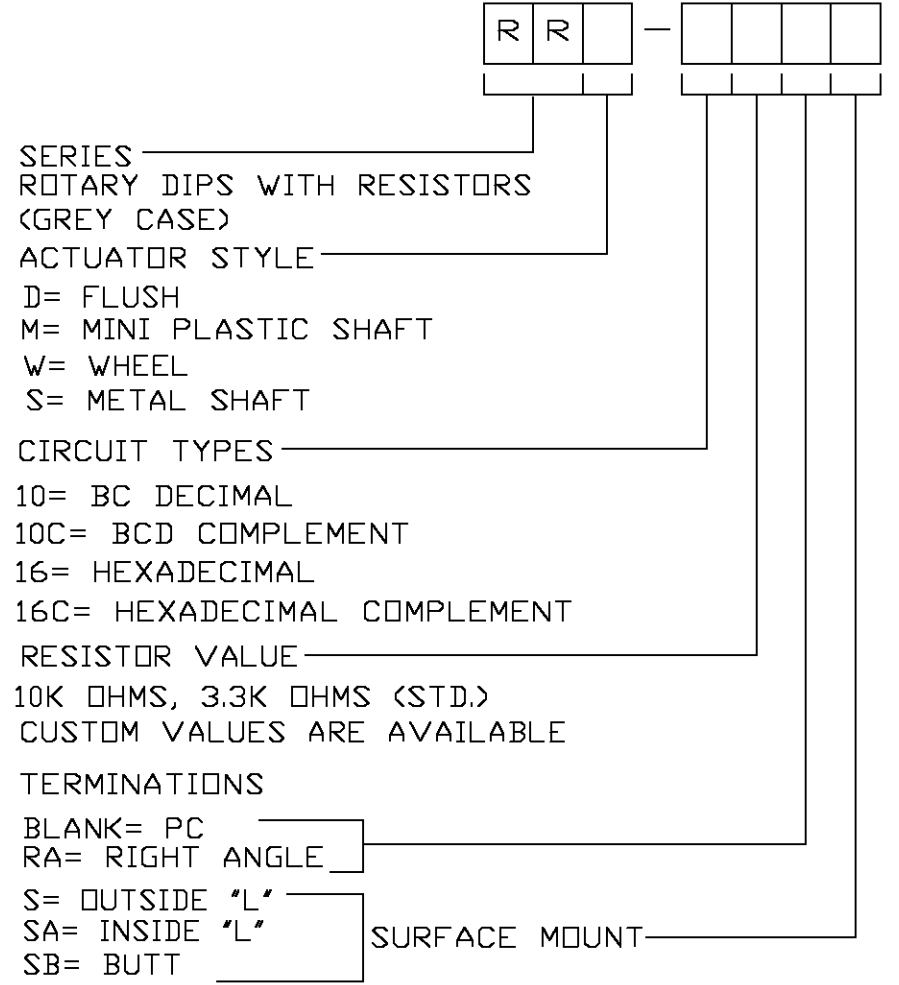
MATERIAL:
 BASE, ROTOR AND CASE: POLYESTER.
 MOVING CONTACT: COPPER ALLOY, GOLD FLASH.
 FIXED CONTACT: COPPER ALLOY, GOLD FLASH.
 TERMINALS: 90/10 TIN/LEAD OVER COPPER ALLOY.

ELECTRICAL:
 CONTACT RATING: 0.4 VA MAX. @ 20 VDC OR PEAK AC.
 INITIAL CONTACT RESISTANCE: 50 MILLIOHMS MAX.
 INSULATION RESISTANCE: 1000 MEGOHMS MIN. @ 100 VDC.
 DIELECTRIC STRENGTH: 300 VAC.
 LIFE EXPECTANCY: 10,000 ROTATIONS.

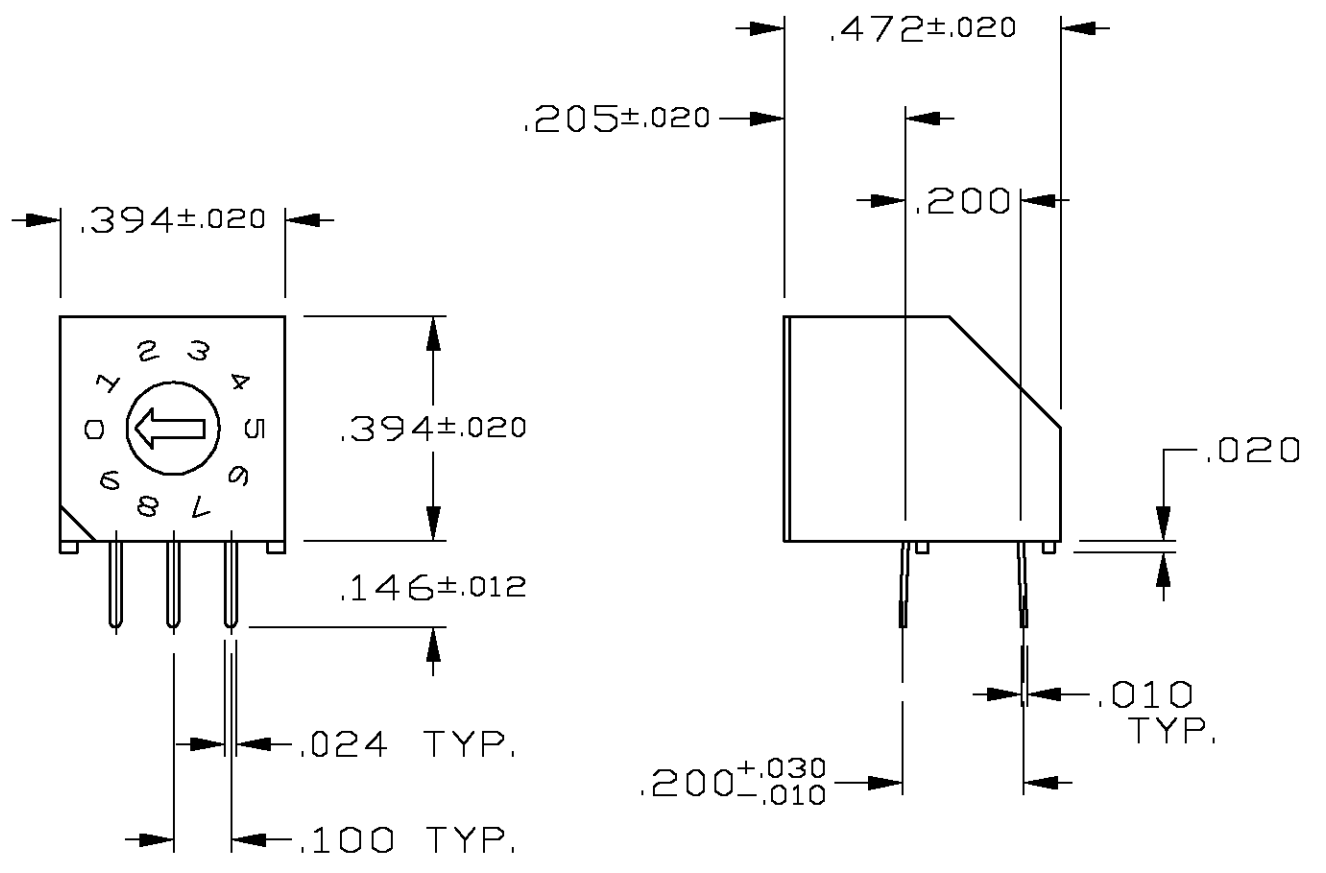
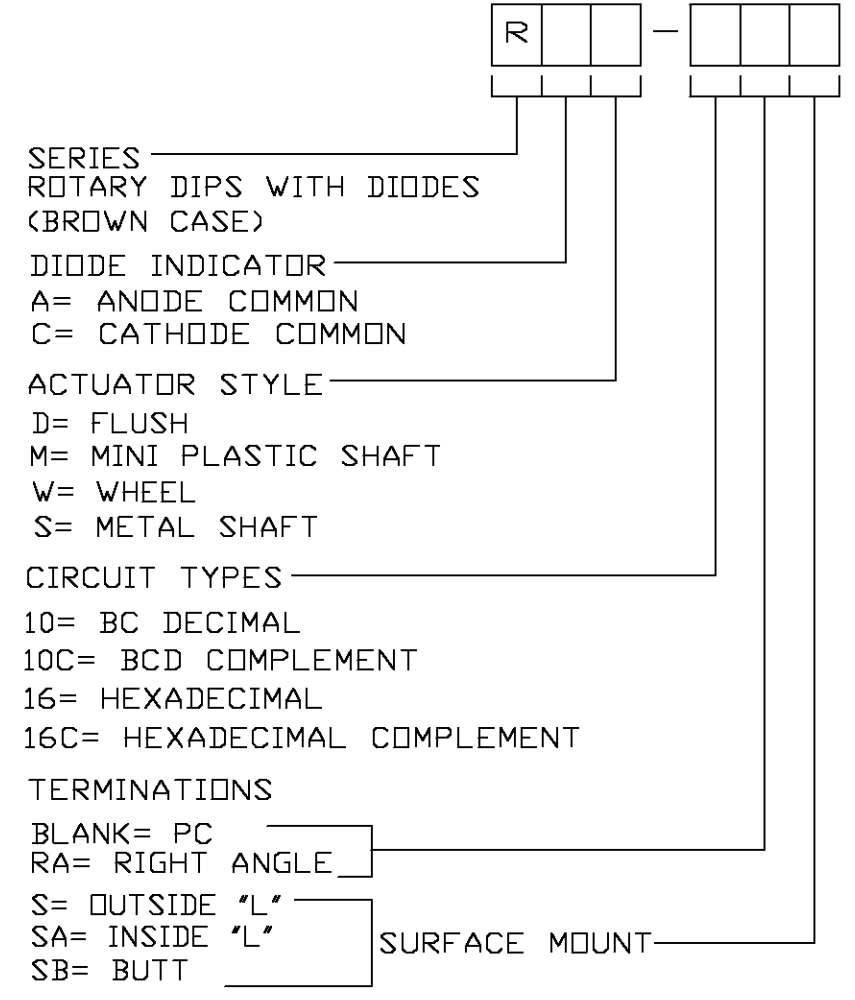
MECHANICAL:
 ACTUATION FORCE: 6 OZ.-IN., NOMINAL
 (3 OZ.-IN., NOMINAL, SURFACE MOUNT).

ENVIRONMENTAL:
 OPERATING TEMPERATURE: -22°F TO +185°F (-30°C TO +85°C).
 STORAGE TEMPERATURE: -49°F TO +212°F (-45°C TO +100°C).

HOW TO ORDER



HOW TO ORDER



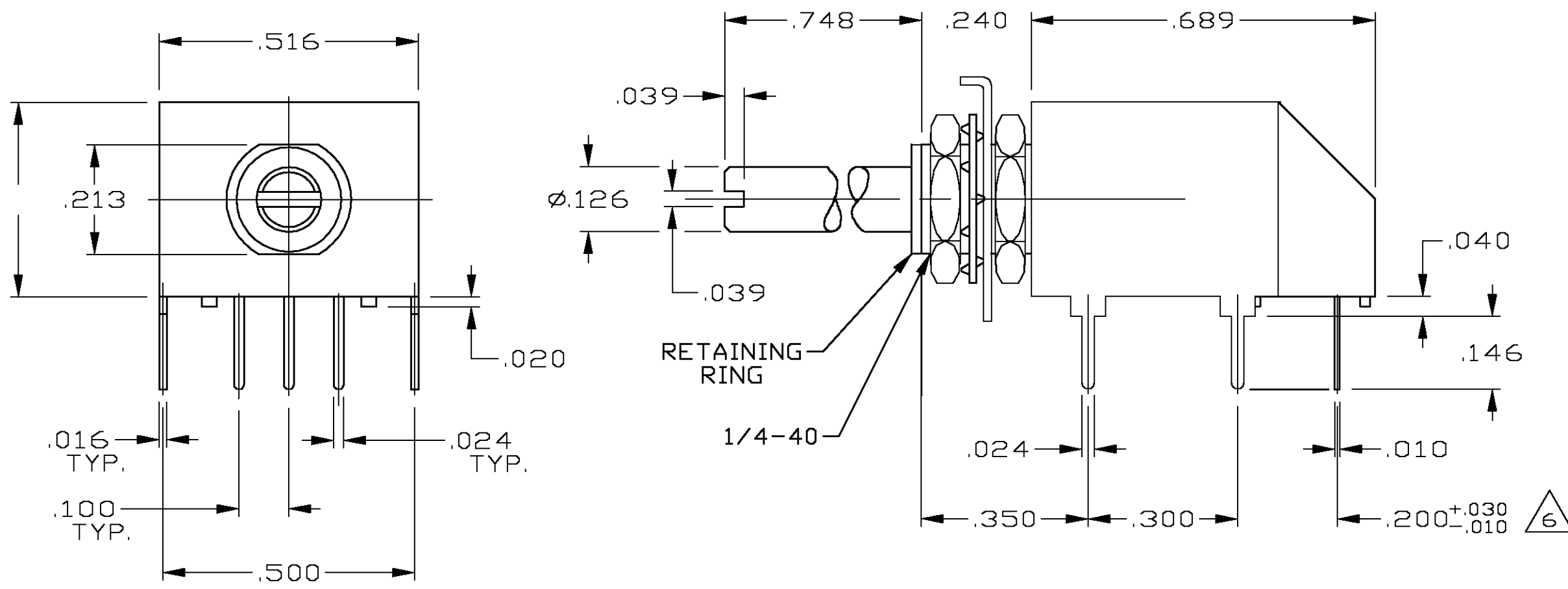
DRD RIGHT ANGLE
PC MOUNT

THIS DRAWING IS A CONTROLLED DOCUMENT.		DWN	M.BINNER	23MAR04		Tyco Electronics Corporation		
		CHK	M.SARVER	23MAR04		Harrisburg, Pa 17105-3608		
		APVD	M.SARVER	23MAR04	NAME			
		PRODUCT SPEC			DR, RR, RA/C SERIES ROTARY DIP SWITCH			
		APPLICATION SPEC			-			
		MATERIAL			SIZE	CAGE CODE	DRAWING NO	RESTRICTED TO
		FINISH			A2	00779	C=1437584-6	-
		CUSTOMER DRAWING			SCALE	1:1	SHEET	1 OF 4
					REV D			

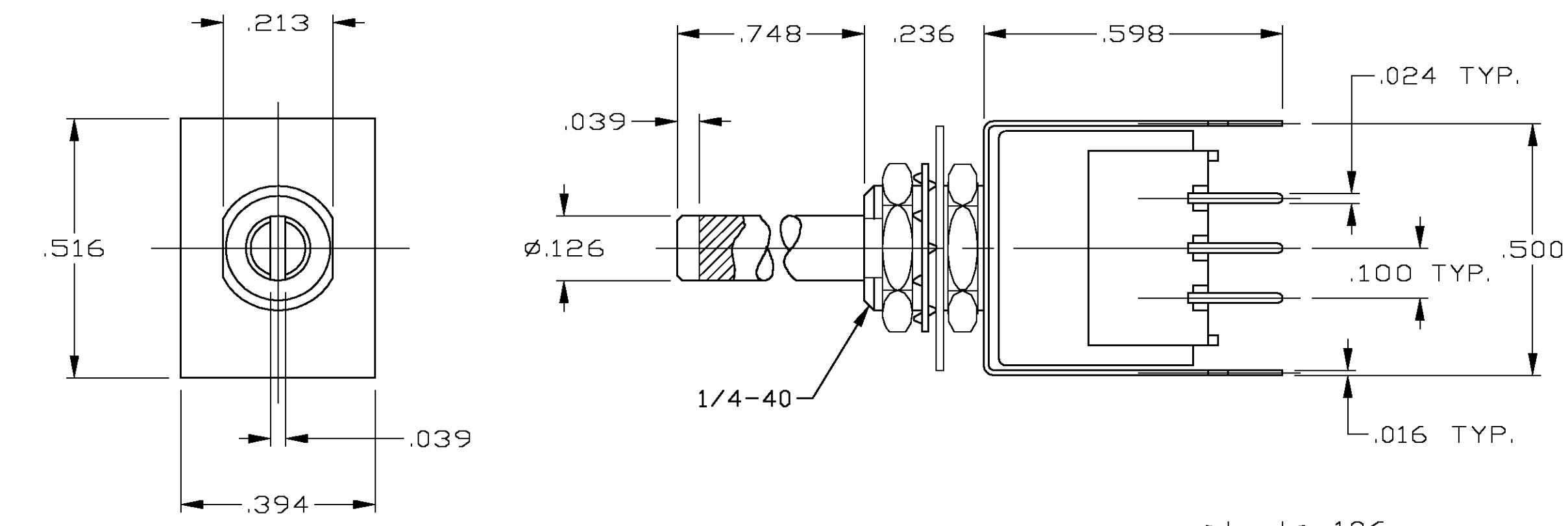
1437584-6

THIS DRAWING IS UNPUBLISHED. RELEASED FOR PUBLICATION
 © COPYRIGHT BY TYCO ELECTRONICS CORPORATION. ALL RIGHTS RESERVED.

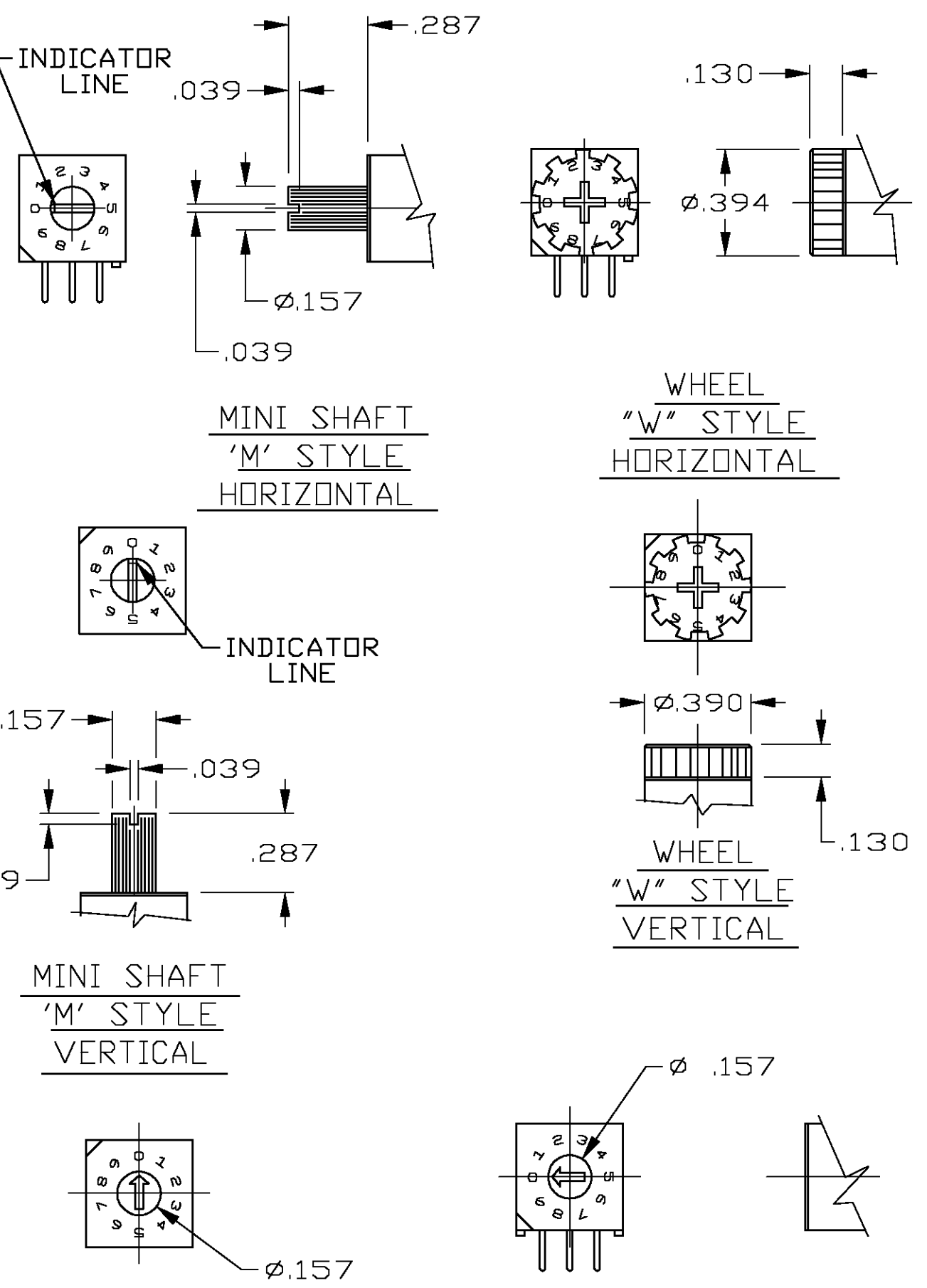
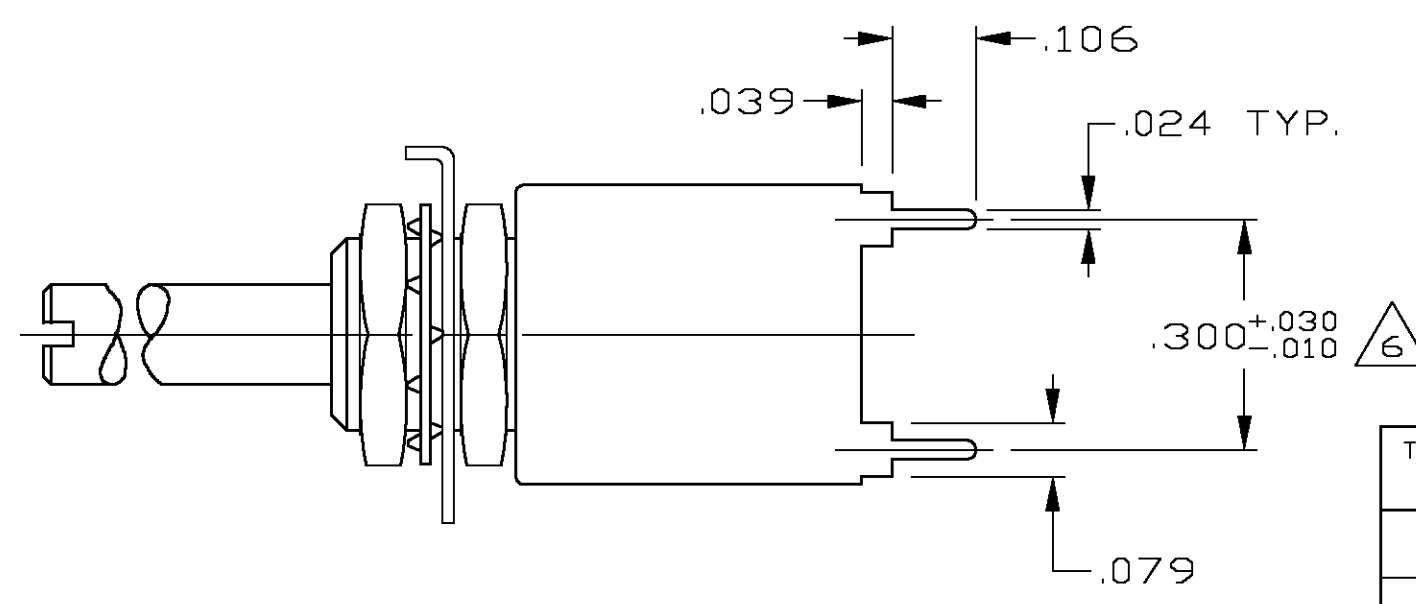
LOC		DIST		REVISIONS			
P	LTR	DESCRIPTION	DATE	DWN	APVD		
AD	0	SEE SHEET 1	-	-	-		



DR/RR/RA/RC
"S" STYLE RIGHT ANGLE



DR/RR/RA/RC
"S" STYLE VERTICAL



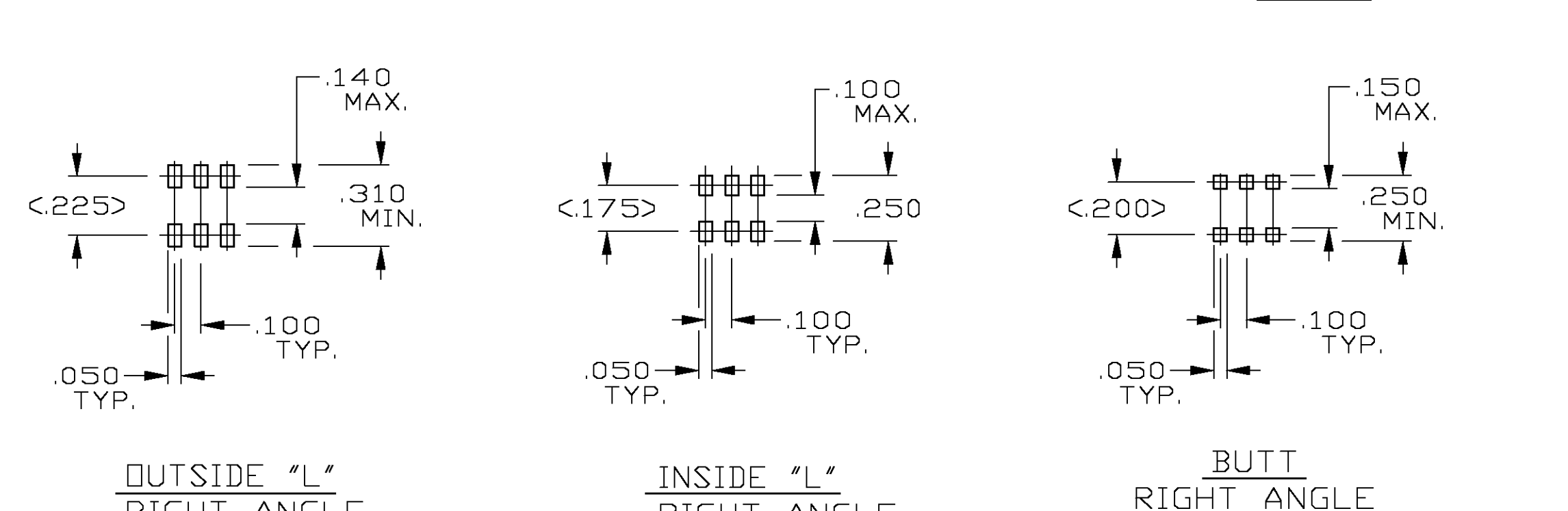
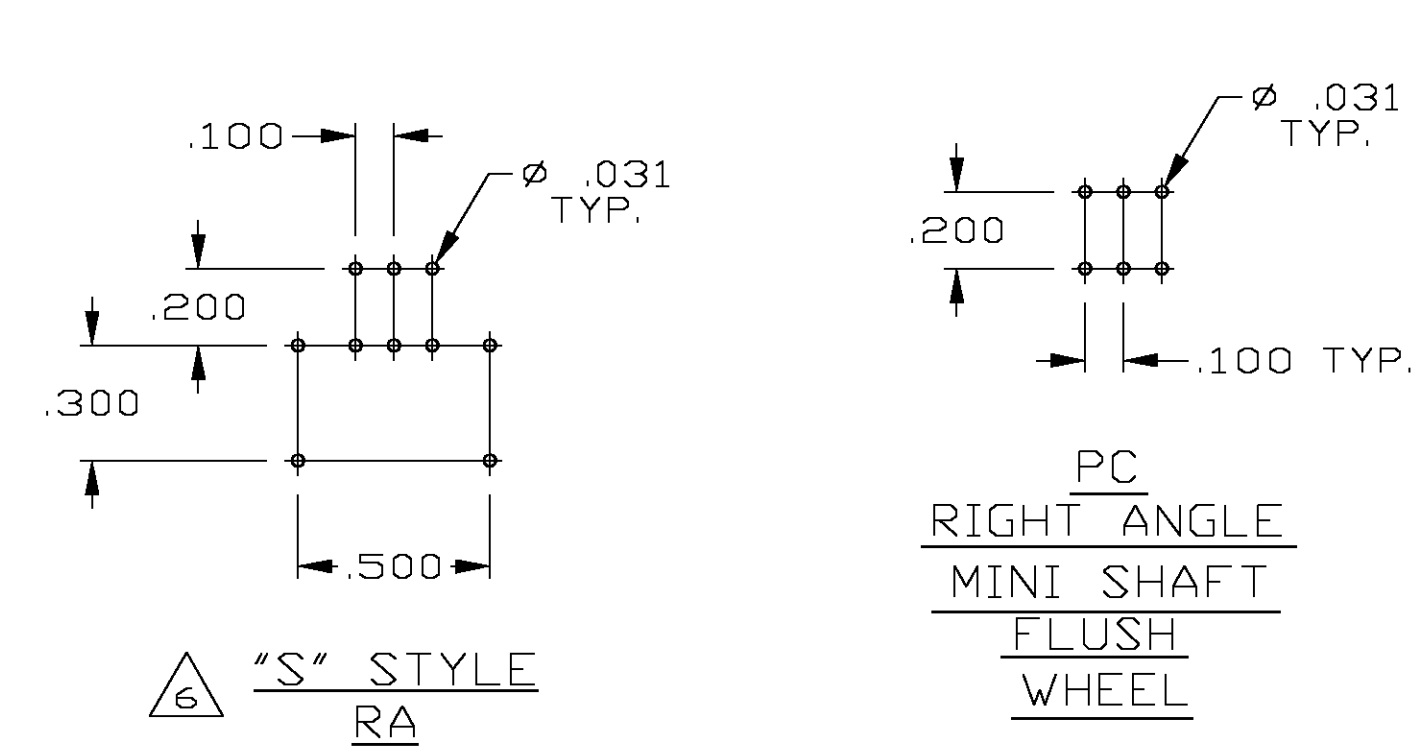
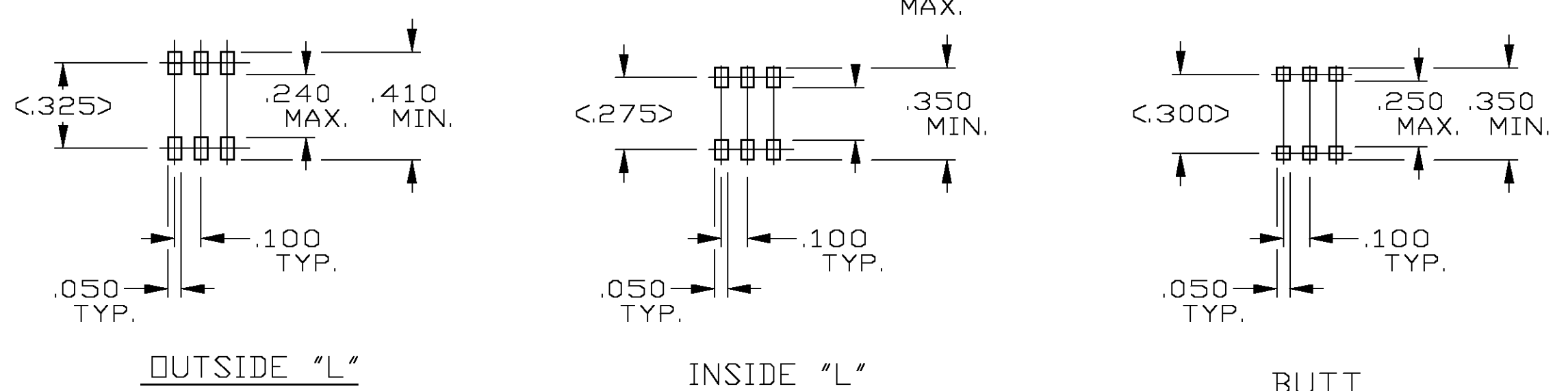
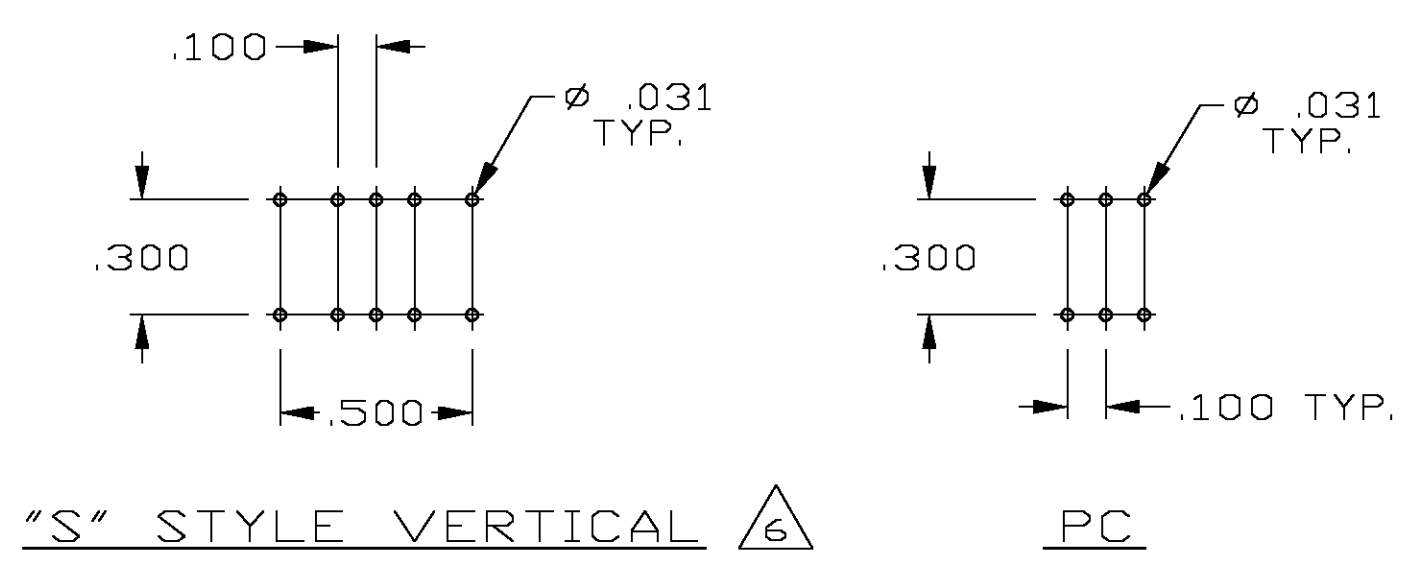
'D' STYLE
P.C.
ACTUATORS
 SCALE: 2/1

THIS DRAWING IS A CONTROLLED DOCUMENT.		DWN M.BINNER 23MAR04	Tyco Electronics Corporation Harrisburg, Pa 17105-3608
DIMENSIONS: INCHES		CHK M.SARVER 23MAR04	
TOLERANCES UNLESS OTHERWISE SPECIFIED:		APVD M.SARVER 23MAR04	NAME DR, RR, RA/C SERIES ROTARY DIP SWITCH
0 PLC ± -		PRODUCT SPEC	SIZE A2
1 PLC ± -		APPLICATION SPEC	CAGE CODE 00779
2 PLC ± -			DRAWING NO C=1437584-6
3 PLC ± .010			RESTRICTED TO
4 PLC ± -			
ANGLES ± 1°		WEIGHT	
FINISH		CUSTOMER DRAWING	SCALE 1:1
			SHEET 2 OF 4
			REV D

1437584-6

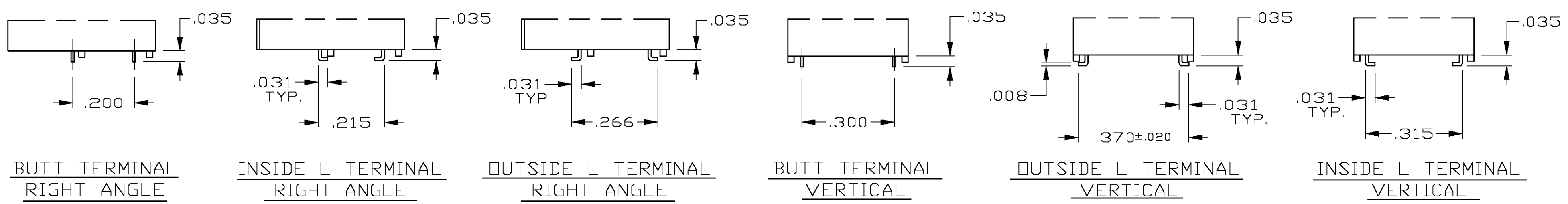
THIS DRAWING IS UNPUBLISHED. RELEASED FOR PUBLICATION
 © COPYRIGHT BY TYCO ELECTRONICS CORPORATION. ALL RIGHTS RESERVED.

LOC		DIST		REVISIONS			
P	LTR	DESCRIPTION	DATE	DWN	APVD		
AD	0	SEE SHEET 1	-	-	-		



RECOMMENDED HOLE LAYOUT
 TOLERANCE ±.002 UNLESS OTHERWISE NOTED

RECOMMENDED PAD LAYOUT
 TOLERANCE ±.002 UNLESS OTHERWISE NOTED



TERMINAL CONFIGURATIONS

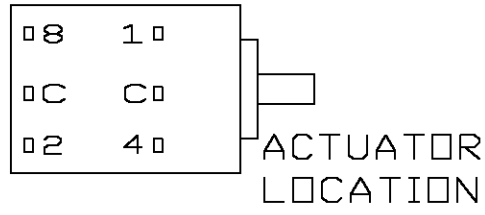
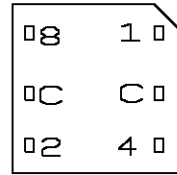
THIS DRAWING IS A CONTROLLED DOCUMENT.		DWN	M. BINNER	23MAR04		Tyco Electronics Corporation	
DIMENSIONS: INCHES		CHK	M. SARVER	23MAR04		Harrisburg, Pa 17105-3608	
TOLERANCES UNLESS OTHERWISE SPECIFIED:		APVD	M. SARVER	23MAR04	NAME		
0 PLC	± -	PRODUCT SPEC		DR, RR, RA/C SERIES ROTARY DIP SWITCH			
1 PLC	± -	APPLICATION SPEC		SIZE	CAGE CODE	DRAWING NO	RESTRICTED TO
2 PLC	± -	MATERIAL		A2	00779	1437584-6	-
3 PLC	± .010	FINISH		SCALE		SHEET	REV
4 PLC	± -	MATERIAL		1:1		3 OF 4	D
ANGLES	± 1°	MATERIAL		CUSTOMER DRAWING			

THIS DRAWING IS UNPUBLISHED. RELEASED FOR PUBLICATION
 © COPYRIGHT BY TYCO ELECTRONICS CORPORATION. ALL RIGHTS RESERVED.

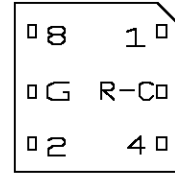
LOC	DIST	REVISIONS					
AD	0	P	LTR	DESCRIPTION	DATE	DWN	APVD
		-		SEE SHEET 1	-	-	-

TRUTH TABLES

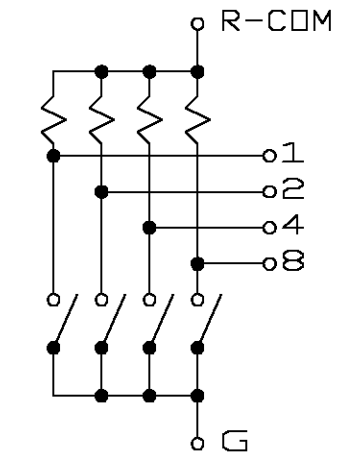
TERMINAL IDENTIFICATION FOR DR SERIES ONLY
(VIEWED FROM BOTTOM OF SWITCH)



FOR HYBRID VERSIONS (RR SERIES AND RA/C SERIES),
COMMON BETWEEN TERMINALS 1 AND 4 IS RESISTOR
OR DIODE COMMON.
COMMON BETWEEN TERM 2 AND 8 IS GROUND
(VIEWED FROM BOTTOM OF SWITCH)

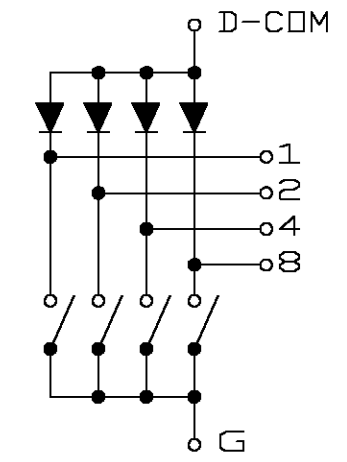


RR SERIES RESISTOR NETWORK INFORMATION



RATED POWER	RESISTANCE	TOLERANCE	MAX VOLTAGE
125mW	3.3 K OHMS	±5% @ 85°C	24V
	10 K OHMS		

RA/C SERIES DIODE NETWORK INFORMATION



ABSOLUTE MAXIMUM RATINGS (25°C)					ELECTRIC CHARACTERISTICS				
V _R	I _{RM}	I ₀	T	V _{F1} (V)	V _{F2} (V)	V _{F3} (V)	r _F (MA)	C _F (F)	T _{rr} (ns)
(V)	(mA)	(mA)	(°C)	MAX/If 10 mA	MAX/If 50 mA	MAX/If 100 mA	MAX/V _R (V)	MAX	MAX
50	300	100	125	1.0	1.2	1.2	0.1/50	4.0	4.0

10-POSITION, BCD SEE NOTE 2

POS	0	1	2	3	4	5	6	7	8	9
C	X	X	X	X	X	X	X	X	X	X
1		X		X		X		X		X
2			X	X		X	X			
4					X	X	X	X		
8									X	X

16-POSITION, HEXADECIMAL SEE NOTE 3

POS	0	1	2	3	4	5	6	7	8	9	A	B	C	D	E	F
C	X	X	X	X	X	X	X	X	X	X	X	X	X	X	X	X
1		X		X		X		X		X		X		X		X
2			X	X		X	X			X	X			X	X	
4					X	X	X	X				X	X	X	X	
8									X	X	X	X	X	X	X	X

10 POSITION, BCD COMPLEMENT SEE NOTE 4

POS	0	1	2	3	4	5	6	7	8	9
C̄	X	X	X	X	X	X	X	X	X	X
1̄	X		X		X		X		X	
2̄	X	X			X	X			X	X
4̄	X	X	X	X					X	X
8̄	X	X	X	X	X	X	X	X		

16-POSITION, HEXADECIMAL COMPLEMENT SEE NOTE 5

POS	0	1	2	3	4	5	6	7	8	9	A	B	C	D	E	F
C̄	X	X	X	X	X	X	X	X	X	X	X	X	X	X	X	X
1̄	X		X		X		X		X		X		X		X	
2̄	X	X			X	X			X	X			X	X		
4̄	X	X	X	X					X	X	X	X				
8̄	X	X	X	X	X	X	X	X								

NOTES:

- COMMON TERMINALS ARE CONNECTED INTERNALLY, EXCEPT ON HYBRID VERSIONS.
- RED ROTOR WITH WHITE PRINTING ON TOP AND SIDE OF SWITCH. "S" STYLES HAVE NOT PRINTING ON TOP.
- BLACK ROTOR WITH WHITE PRINTING ON TOP AND SIDE OF SWITCH. "S" STYLES HAVE NO PRINTING ON TOP.
- ORANGE ROTOR WITH WHITE PRINTING ON TOP AND SIDE OF SWITCH EXCEPT FOR THE "W" STYLES, WHICH HAVE BLACK PRINTING ON TOP. "S" STYLES HAVE NO PRINTING ON TOP.
- WHITE ROTOR WITH WHITE PRINTING ON TOP AND SIDE OF SWITCH EXCEPT FOR THE "W" STYLES, WHICH HAVE BLACK PRINTING ON TOP. "S" STYLE HAVE NO PRINTING ON TOP.
- INTERPRET DRAWING PER ASME Y14.5M-1994.

THIS DRAWING IS A CONTROLLED DOCUMENT.		DWN M. BINNER 23MAR04	Tyco Electronics Corporation Harrisburg, Pa 17105-3608	
DIMENSIONS: INCHES		CHK M. SARVER 23MAR04		
TOLERANCES UNLESS OTHERWISE SPECIFIED:		APVD M. SARVER 23MAR04	NAME DR, RR, RA/C SERIES ROTARY DIP SWITCH	
		PRODUCT SPEC	SIZE A2	
MATERIAL		APPLICATION SPEC	CAGE CODE 00779	DRAWING NO 1437584-6
FINISH		WEIGHT	RESTRICTED TO	
		CUSTOMER DRAWING	SCALE 1:1	SHEET 4 OF 4

1437584-6