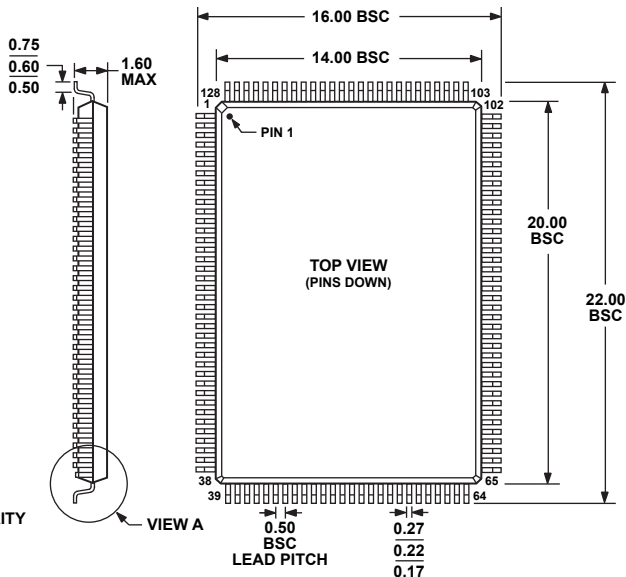


**128-Lead Low Profile Quad Flat Package [LQFP]
(ST-128-2)**

Dimensions shown in millimeters



COMPLIANT TO JEDEC STANDARDS MS-026-BHB