

HC/49US (AT49) LOW PROFILE SURFACE MOUNT MICROPROCESSOR CRYSTAL

ABLS3



11.5 x 4.8 x 2.5 mm



RoHS
Compliant

FEATURES:

- Suitable for reflow
- Low height reduced to 3.3mm
- Suitable for thin equipment
- Tight stability & extended temperature

APPLICATIONS:

- Computers, Modems, Microprocessors
- Automotive and Industrial
- Wireless Applications

STANDARD SPECIFICATIONS:

PARAMETERS

ABRACON P/N	ABLS3 Series
Frequency	3.579545 MHz to 70 MHz
Operation Mode	AT strip (see options) 3.579545 MHz - 24.0 MHz (Fundamental) 24.01 - 50.00 MHz (Fund. AT or BT) 24.01 - 70.00 MHz (3rd - Overtone)
Operating Temperature	0°C to +70°C (see options)
Storage Temperature	-55°C to +125°C
Frequency Tolerance at +25°C	± 50 ppm max. (see options)
Frequency Stability over the Operating Temp. (Ref to +25°C)	± 50 ppm max. (see options)
Equivalent Series Resistance	See Table 1
Shunt Capacitance C ₀	7pF max.
Load Capacitance C _L	18pF (see options)
Drive Level	1 mW max., 100µW typical
Aging at 25°C ± 3°C Per Year	± 5ppm max.
Insulation Resistance	500 MΩ min at 100Vdc ± 15V
Drive level dependency (DLD)	from 1µW to 500µW (minimum 7 points tested)

TABLE 1: ESR

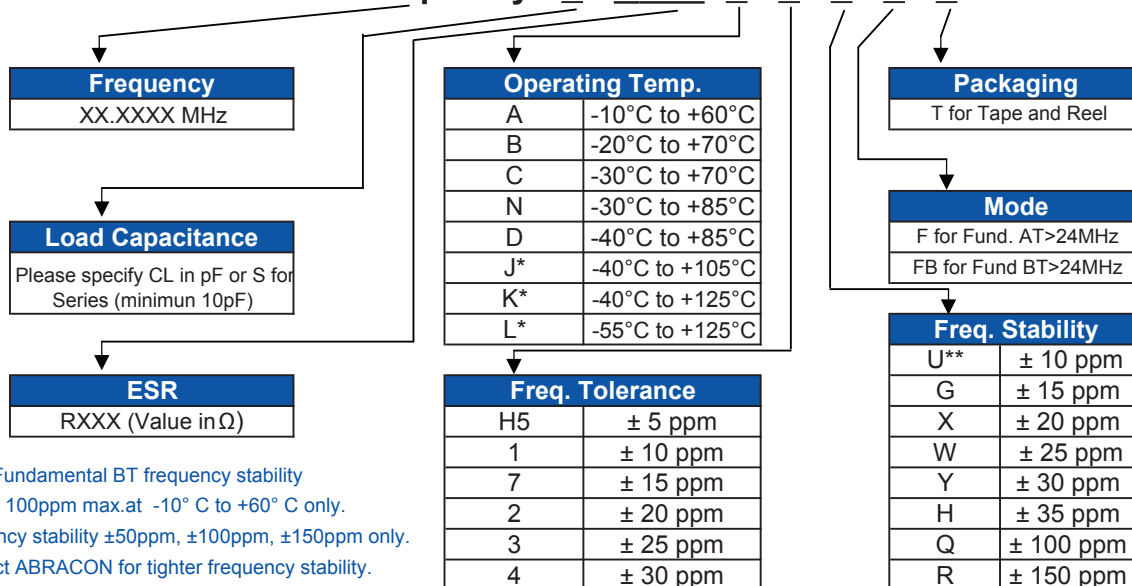
FREQUENCY (MHz)	ESR (Ω)
3.579 - 4.999 (Fund.)	180
5.000 - 5.999 (Fund.)	120
6.000 - 7.999 (Fund.)	100
8.000 - 8.999 (Fund.)	80
9.000 - 9.999 (Fund.)	60
10.000 - 15.999 (Fund.)	50
16.000 - 50.000 (Fund.)	40
24.01 - 31.999 (3rd O/T)	100
32.000 - 70.00 (3rd O/T)	80

- Change in frequency (Maximum - Minimum) over DLD range < ±10ppm
- Change in ESR (Maximum - Minimum) over DLD range < 25% of Max ESR value
- Maximum ESR over DLD range < Max ESR value

OPTIONS & PART IDENTIFICATION:

(Left blank if standard)

ABLS3 - Frequency - - R - - - - - -



NOTE: Fundamental BT frequency stability ± 100ppm max.at -10° C to +60° C only.
* Frequency stability ±50ppm, ±100ppm, ±150ppm only. Contact ABRACON for tighter frequency stability.
** -10 to +60C only.

ABRACON IS
ISO 9001 / QS 9000
CERTIFIED



ABRACON
CORPORATION

Visit www.abracon.com for Terms & Conditions of Sale **Revised: 12.17.07**
30332 Esperanza, Rancho Santa Margarita, California 92688
tel 949-546-8000 | fax 949-546-8001 | www.abracon.com

HC/49US (AT49) LOW PROFILE SURFACE MOUNT MICROPROCESSOR CRYSTAL

ABLS3

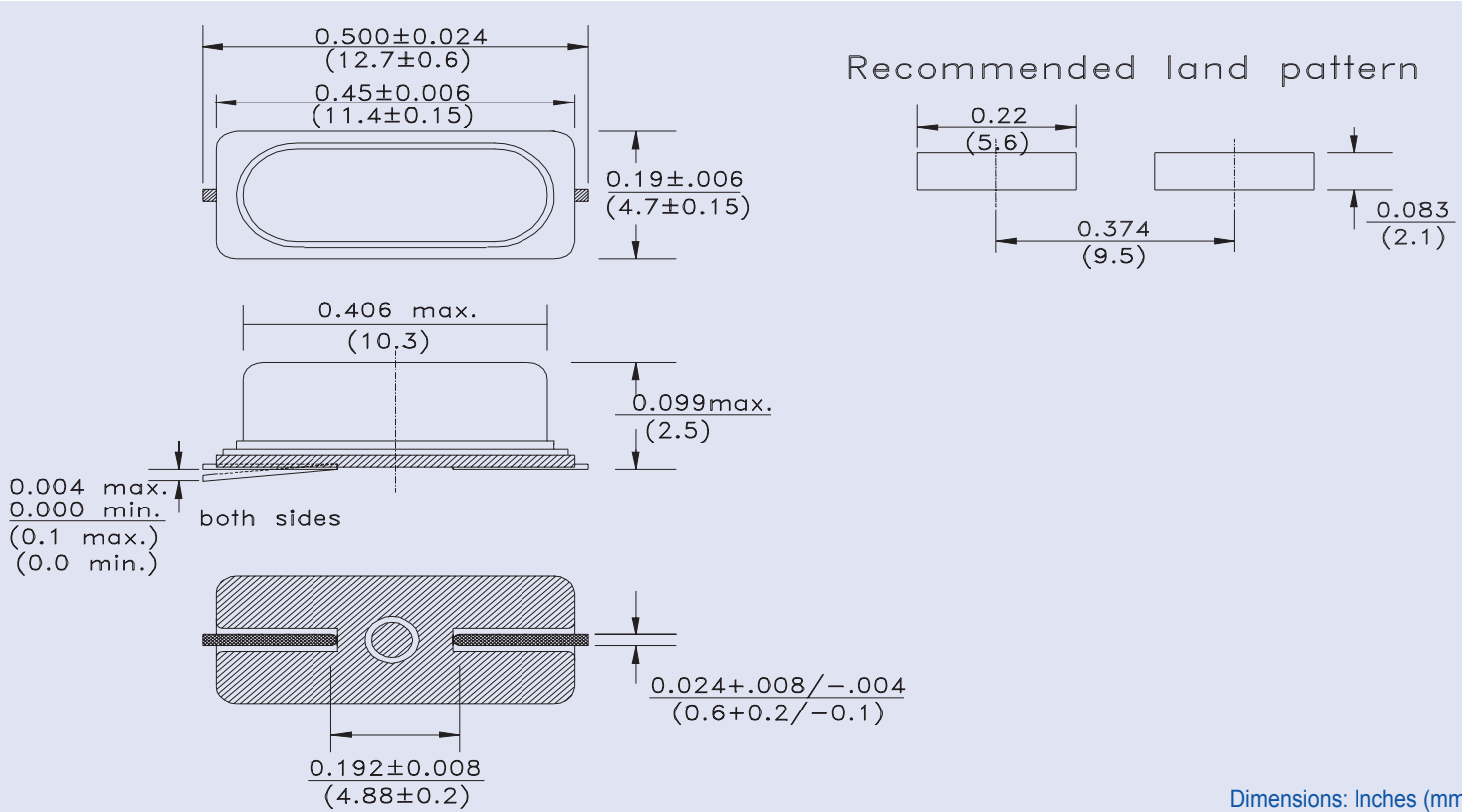


11.5 x 4.8 x 2.5 mm



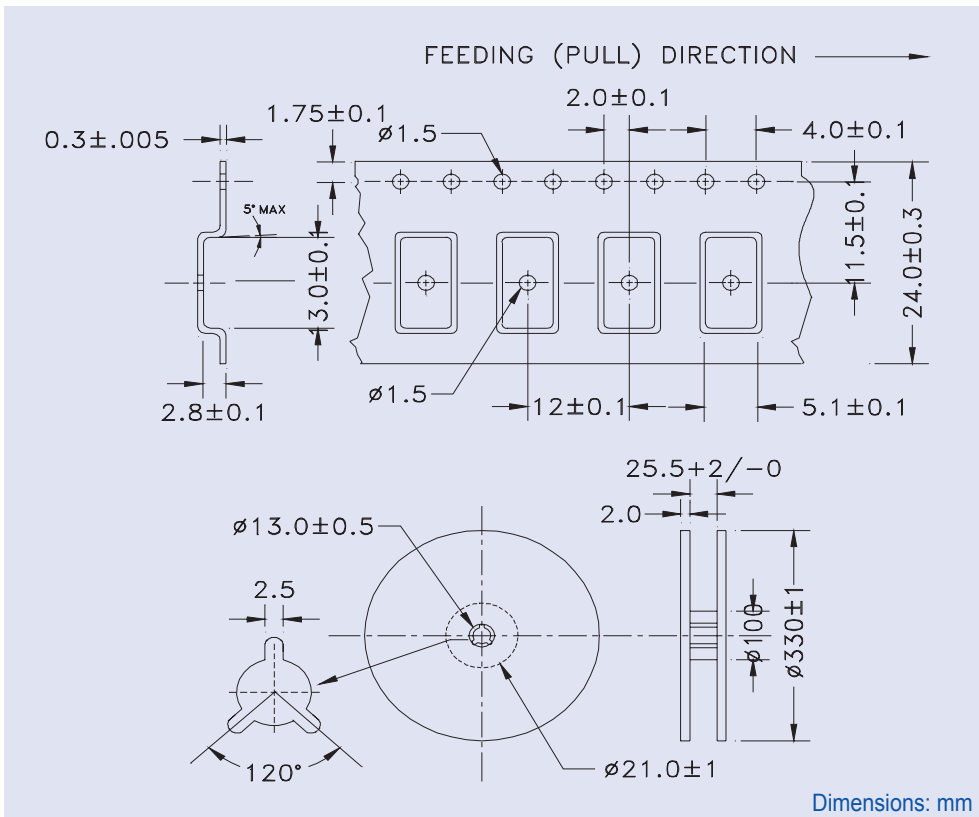
RoHS
Compliant

OUTLINE DRAWING:



Dimensions: Inches (mm)

TAPE & REEL:



Dimensions: mm

ABRACON IS
ISO 9001 / QS 9000
CERTIFIED



Visit www.abracon.com for Terms & Conditions of Sale **Revised: 12.17.07**

30332 Esperanza, Rancho Santa Margarita, California 92688

tel 949-546-8000 | fax 949-546-8001 | www.abracon.com