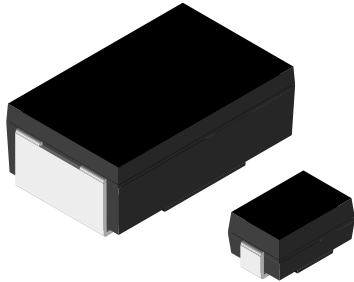


Metal Film Resistors, Power, Surface Mount



FEATURES

- Molded encapsulation
- Wraparound Compliant Terminations eliminate risk of solder fillet cracking
- Solderable terminations
- Excellent stability at different environmental conditions
- High power ratings (up to 2 W)


RoHS*
COMPLIANT

STANDARD ELECTRICAL SPECIFICATIONS

GLOBAL MODEL	SIZE INCH	POWER RATING $P_{70^\circ\text{C}}$ W	TOLERANCE $\pm \%$	RESISTANCE RANGE Ω	ENCAPSULATION
WSF2012	2012	0.5	0.5, 1, 5	5.0 - 1.43K ¹⁾	Epoxy
WSF2515	2515	1.0	0.5, 1, 5	10 - 10K	Thermoplastic
WSF4527	4527	2.0 ²⁾	0.5, 1, 5	10 - 100K	Thermoplastic

Notes

- 1) E96 values only
 - 2) Resistance values above 31 250 Ω are limited to 250 maximum working voltage
- Part Marking: 1/2 W - DALE, Value; 1 W - Model, Value, Tolerance, Date Code; 2 W - DALE, Model, Value, Tolerance, Date Code.

TECHNICAL SPECIFICATIONS

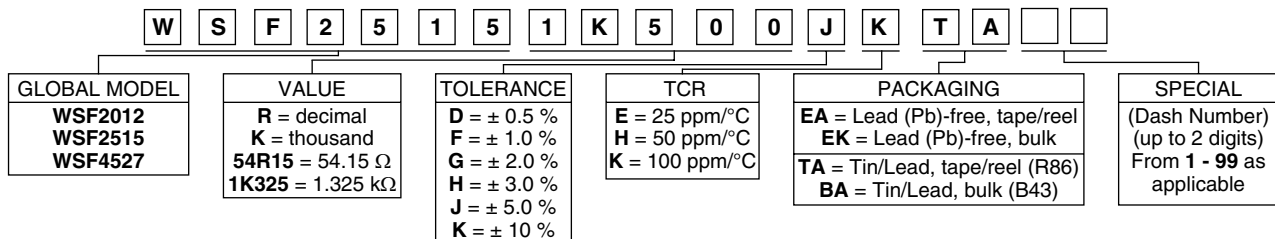
PARAMETER	UNIT	WSF2012	WSF2515	WSF4527
Temperature Coefficient	ppm/ $^\circ\text{C}$	± 100 ³⁾	± 100 ³⁾	± 100 ³⁾
Dielectric Withstanding Voltage	V_{AC}	> 500	> 500	> 500
Insulation Resistance	Ω	> 10 ⁹		
Operating Temperature Range	$^\circ\text{C}$	- 65/+ 175	- 65/+ 175	- 65/+ 150
Maximum Working Voltage	V	$(P \times R)^{1/2}$	$(P \times R)^{1/2}$	$(P \times R)^{1/2}$ ⁴⁾
Weight/1000 pieces (typical)	g	90	165	760

Notes

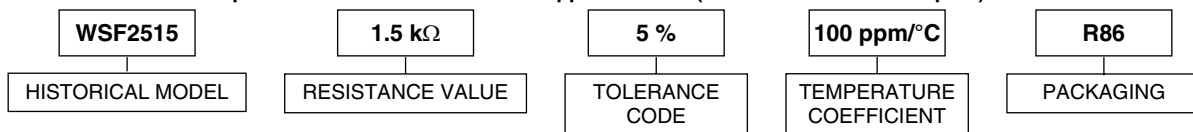
- 3) ± 50 ppm/ $^\circ\text{C}$ and ± 25 ppm/ $^\circ\text{C}$ available
- 4) Resistance values above 31 250 Ω are limited to 250 V maximum working voltage

GLOBAL PART NUMBER INFORMATION

New Global Part Numbering: WSF2515K500JKTA (preferred part numbering format)

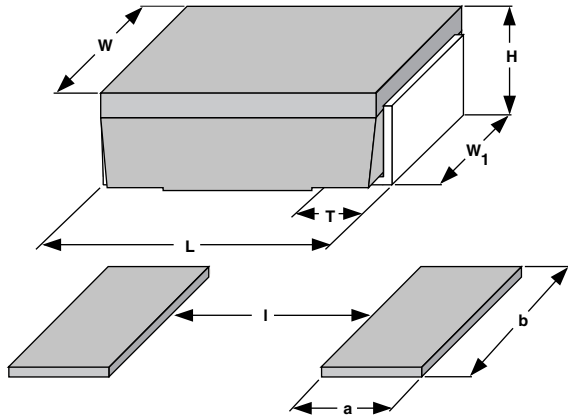


Historical Part Number example: WSF2515 1.5 k Ω 5% 100 ppm/ $^\circ\text{C}$ R86 (will continue to be accepted)



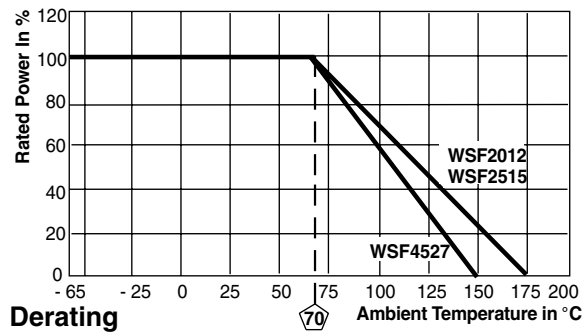
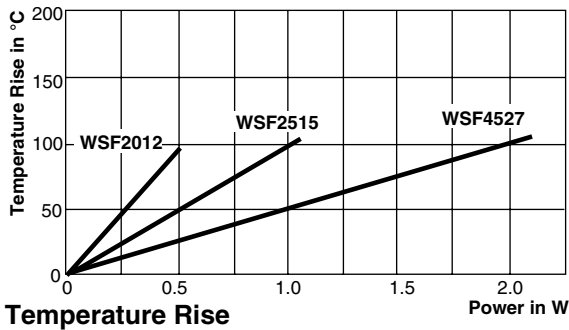
* Pb containing terminations are not RoHS compliant, exemptions may apply

DIMENSIONS



MODEL	DIMENSIONS in inches [millimeters]				
	L	H	T	W	W ₁
WSF2012	0.200 ± 0.020 [5.08 ± 0.508]	0.096 ± 0.015 [2.44 ± 0.381]	0.040 ± 0.010 [1.02 ± 0.254]	0.125 ± 0.005 [3.18 ± 0.127]	0.050 ± 0.005 [1.27 ± 0.127]
WSF2515	0.250 ± 0.020 [6.35 ± 0.508]	0.110 ± 0.015 [2.79 ± 0.381]	0.045 ± 0.010 [1.14 ± 0.254]	0.150 ± 0.005 [3.81 ± 0.127]	0.098 ± 0.005 [2.49 ± 0.127]
WSF4527	0.455 ± 0.020 [11.56 ± 0.508]	0.167 ± 0.010 [4.24 ± 0.254]	0.100 ± 0.010 [2.54 ± 0.254]	0.275 ± 0.005 [6.98 ± 0.127]	0.215 ± 0.005 [5.46 ± 0.127]

MODEL	SOLDER PAD DIMENSIONS in inches [millimeters]		
	a	b	l
WSF2012	0.085 [2.16]	0.070 [1.78]	0.080 [2.03]
WSF2515	0.090 [2.29]	0.115 [2.92]	0.120 [3.05]
WSF4527	0.155 [3.94]	0.230 [5.94]	0.205 [5.21]



PERFORMANCE		
TEST	CONDITIONS OF TEST	TEST LIMITS
Thermal Shock	- 55 °C to + 150 °C, 1000 cycles, 15 minutes at each extreme	± (1.0 % + 0.05 Ω) ΔR
Short Time Overload	5 x rated power for 5 seconds	± (0.5 % + 0.05 Ω) ΔR
Low Temperature Storage	- 65 °C for 24 hours	± (0.5 % + 0.05 Ω) ΔR
High Temperature Exposure	1000 hours at + 175 °C (150 °C for WSF4527)	± (1.0 % + 0.05 Ω) ΔR
Bias Humidity	+ 85 °C, 85 % RH, 10 % Bias, 1000 hours	± (0.5 % + 0.05 Ω) ΔR
Moisture Resistance	MIL-STD-202 Method 106, 0 % Power, 7a and 7b not required	± (0.5 % + 0.05 Ω) ΔR
Mechanical Shock	100 g's for 11 milliseconds, 5 pulses	± (0.5 % + 0.05 Ω) ΔR
Vibration	Frequency varied 10 to 500 Hz in one minute, 3 directions, 9 hours	± (0.5 % + 0.05 Ω) ΔR
Load Life	1000 hours at rated power, + 70 °C, 1.5 hours "ON", 0.5 hours "OFF"	± (1.0 % + 0.05 Ω) ΔR
Resistance to Solder heat	+ 260 °C solder, 10 - 12 second dwell, 25 mm/second emergence	± (0.5 % + 0.05 Ω) ΔR

PACKAGING				
MODEL	REEL			
	TAPE WIDTH	DIAMETER	PIECES/REEL	CODE
WSF2012	12 mm/Embossed Plastic	330 mm/13"	2000	EA/TA
WSF2515	16 mm/Embossed Plastic	330 mm/13"	2000	EA/TA
WSF4527	24 mm/Embossed Plastic	330 mm/13"	1200	EA/TA

Embossed Carrier Tape per EIA 481-1, 2.



Notice

Specifications of the products displayed herein are subject to change without notice. Vishay Intertechnology, Inc., or anyone on its behalf, assumes no responsibility or liability for any errors or inaccuracies.

Information contained herein is intended to provide a product description only. No license, express or implied, by estoppel or otherwise, to any intellectual property rights is granted by this document. Except as provided in Vishay's terms and conditions of sale for such products, Vishay assumes no liability whatsoever, and disclaims any express or implied warranty, relating to sale and/or use of Vishay products including liability or warranties relating to fitness for a particular purpose, merchantability, or infringement of any patent, copyright, or other intellectual property right.

The products shown herein are not designed for use in medical, life-saving, or life-sustaining applications. Customers using or selling these products for use in such applications do so at their own risk and agree to fully indemnify Vishay for any damages resulting from such improper use or sale.