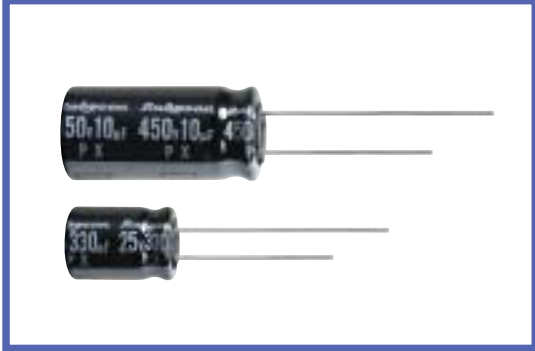


PX SERIES

105°C Miniaturized

- ◆ **FEATURES**
 • RoHS compliance.



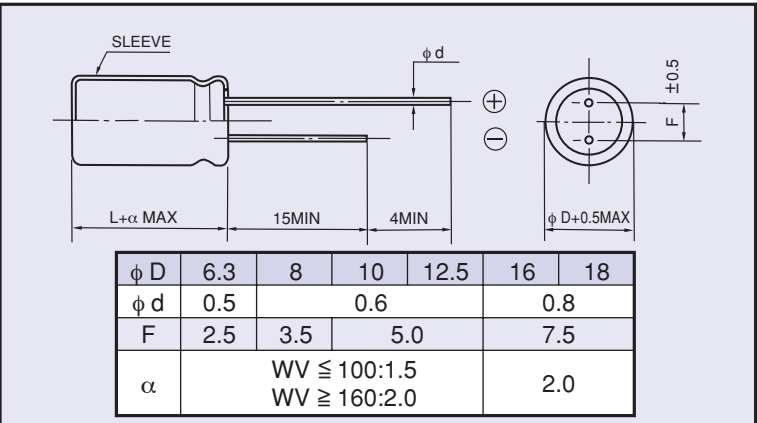
◆ **SPECIFICATIONS**

Items	Characteristics																																																																								
Category Temperature Range	-55 ~ +105°C	-40 ~ +105°C	-25 ~ +105°C																																																																						
Rated Voltage Range	6.3 ~ 100V.DC	160 ~ 400V.DC	450V.DC																																																																						
Capacitance Tolerance	± 20%(20°C, 120Hz)																																																																								
Leakage Current(MAX)	6.3 ~ 100V.DC	160 ~ 450V.DC																																																																							
	I=0.01CV or 3μA whichever is greater. (After 2 minutes application of rated voltage)	CV ≤ 1000	CV > 1000																																																																						
I=Leakage Current(μA)		I=0.1CV+40μA (1minute) I=0.03CV+15μA (5minutes)	I=0.04CV+100μA (1minute) I=0.02CV+25μA (5minutes)																																																																						
		C=Rated Capacitance(μF)	V=Rated Voltage(V)																																																																						
Dissipation Factor(MAX) (tanδ)	<table border="1"> <thead> <tr> <th>Rated Voltage (V)</th> <th>6.3</th><th>10</th><th>16</th><th>25</th><th>35</th><th>50</th><th>63</th><th>100</th><th>160</th><th>200</th><th>250</th><th>350</th><th>400</th><th>450</th> </tr> </thead> <tbody> <tr> <td>(20°C, 120Hz)</td> <td>0.28</td><td>0.24</td><td>0.20</td><td>0.16</td><td>0.14</td><td>0.12</td><td>0.10</td><td>0.08</td><td>0.20</td><td>0.20</td><td>0.20</td><td>0.25</td><td>0.25</td><td>0.25</td> </tr> </tbody> </table>													Rated Voltage (V)	6.3	10	16	25	35	50	63	100	160	200	250	350	400	450	(20°C, 120Hz)	0.28	0.24	0.20	0.16	0.14	0.12	0.10	0.08	0.20	0.20	0.20	0.25	0.25	0.25																														
	Rated Voltage (V)	6.3	10	16	25	35	50	63	100	160	200	250	350	400	450																																																										
(20°C, 120Hz)	0.28	0.24	0.20	0.16	0.14	0.12	0.10	0.08	0.20	0.20	0.20	0.25	0.25	0.25																																																											
	When rated capacitance is over 1000μF, tanδ shall be added 0.02 to the listed value with increase of every 1000μF.																																																																								
Endurance	After life test with rated ripple current at conditions stated in the table below, the capacitors shall meet the following requirements.																																																																								
	Capacitance Change	Within ±25% of the initial value.											Case Dia	Life Time (hrs)																																																											
	Dissipation Factor	Not more than 200% of the specified value.											φ D ≤ 8	1000																																																											
Leakage Current	Not more than the specified value.											φ D ≥ 10	2000																																																												
Low Temperature Stability Impedance Ratio(MAX)	<table border="1"> <thead> <tr> <th>Rated Voltage (V)</th> <th>6.3</th><th>10</th><th>16</th><th>25</th><th>35</th><th>50</th><th>63</th><th>100</th><th>160</th><th>200</th><th>250</th><th>350</th><th>400</th><th>450</th> </tr> </thead> <tbody> <tr> <td>(120Hz)</td> <td>5</td><td>4</td><td>3</td><td>2</td><td>2</td><td>2</td><td>2</td><td>2</td><td>3</td><td>3</td><td>4</td><td>6</td><td>6</td><td>7</td> </tr> <tr> <td>Z(-25°C)/Z(20°C)</td> <td>10</td><td>8</td><td>6</td><td>4</td><td>3</td><td>3</td><td>3</td><td>3</td><td>4</td><td>4</td><td>8</td><td>8</td><td>10</td><td>-</td> </tr> <tr> <td>Z(-40°C)/Z(20°C)</td> <td></td><td></td><td></td><td></td><td></td><td></td><td></td><td></td><td></td><td></td><td></td><td></td><td></td><td></td> </tr> </tbody> </table>													Rated Voltage (V)	6.3	10	16	25	35	50	63	100	160	200	250	350	400	450	(120Hz)	5	4	3	2	2	2	2	2	3	3	4	6	6	7	Z(-25°C)/Z(20°C)	10	8	6	4	3	3	3	3	4	4	8	8	10	-	Z(-40°C)/Z(20°C)														
	Rated Voltage (V)	6.3	10	16	25	35	50	63	100	160	200	250	350	400	450																																																										
	(120Hz)	5	4	3	2	2	2	2	2	3	3	4	6	6	7																																																										
Z(-25°C)/Z(20°C)	10	8	6	4	3	3	3	3	4	4	8	8	10	-																																																											
Z(-40°C)/Z(20°C)																																																																									

◆ **DIMENSIONS**

(mm)

◆ **MULTIPLIER FOR RIPPLE CURRENT**



Frequency coefficient

Frequency (Hz)	60(50)	120	500	1k	10k ≤	
Coefficient	1μF	0.50	1.00	1.20	1.30	1.50
	2.2~4.7μF	0.65	1.00	1.20	1.30	1.50
	10~47μF	0.80	1.00	1.20	1.30	1.50
	100~1000μF	0.80	1.00	1.10	1.15	1.20
	2200~33000μF	0.80	1.00	1.05	1.10	1.15

◆ **PART NUMBER**

PX D×L
 Rated Voltage Series Rated Capacitance Capacitance Tolerance Option Lead Forming Case Size

◆ STANDARD SIZE, RATED RIPPLE CURRENT

 Size ϕ D×L(mm), Ripple Current (mA r.m.s./105°C, 120Hz)

Cap(μF) \ WV(V.DC)	6.3 (0J)		10 (1A)		16 (1C)		25 (1E)		35 (1V)		50 (1H)		63 (1J)	
	Size	Ripple	Size	Ripple	Size	Ripple	Size	Ripple	Size	Ripple	Size	Ripple	Size	Ripple
100											8×11.5	200	8×11.5	230
220							6.3×11	240	8×11.5	300	10×12.5	360	10×16	390
330					6.3×11	270	8×11.5	335	10×12.5	400	10×16	470	10×20	540
470			6.3×11	295	8×11.5	375	8×11.5	440	10×12.5	525	10×20	600	12.5×20	700
680	6.3×11	285	8×11.5	430	8×11.5	480	10×12.5	630	10×16	760	12.5×20	980	12.5×25	800
1000	8×11.5	460	8×11.5	500	10×12.5	640	10×16	740	10×20	865	12.5×25	1060	16×25	1200
2200	10×16	775	10×16	860	10×20	1050	12.5×20	1090	16×25	1370	16×31.5	1600	18×31.5	1400
3300	10×20	985	10×20	1100	12.5×20	1300	16×25	1500	16×25	1680	18×35.5	1780		
4700	12.5×20	1150	12.5×20	1350	12.5×25	1650	16×25	1800	16×35.5	1870				
6800	12.5×25	1480	16×25	1700	16×25	1900	16×35.5	1910	18×35.5	1920				
10000	16×25	1700	16×25	1950	16×31.5	1950	18×35.5	2050						
15000	16×31.5	2090	16×35.5	2090	18×35.5	2070								
22000	18×31.5	2280	18×35.5	2180										
33000	18×40	2350												

Cap(μF) \ WV(V.DC)	100 (2A)		160 (2C)		200 (2D)		250 (2E)		350 (2V)		400 (2G)		450 (2W)	
	Size	Ripple	Size	Ripple	Size	Ripple	Size	Ripple	Size	Ripple	Size	Ripple	Size	Ripple
1													6.3×11	15
2.2									6.3×11	25	8×11.5	31	8×11.5	20
3.3							6.3×11	30	8×11.5	30	8×11.5	34	10×12.5	33
4.7					6.3×11	40	8×11.5	45	8×11.5	45	10×12.5	42	10×12.5	35
10			8×11.5	77	8×11.5	57	10×12.5	90	10×16	95	10×16	64	10×20	37
22			10×12.5	92	10×16	105	10×16	105	12.5×20	175	12.5×20	140	12.5×25	100
33	8×11.5	140	10×16	125	10×20	140	10×20	140	12.5×25	220	16×25	170	16×25	125
47	8×11.5	185	10×20	150	10×20	195	12.5×20	190	16×25	260	16×25	200	16×31.5	155
100	10×16	290	12.5×25	320	16×25	340	16×25	310	18×31.5	370	18×35.5	310	18×40	200
220	12.5×20	560	16×31.5	410	16×35.5	580	18×35.5	485						
330	12.5×25	690	18×31.5	570	18×40	675								
470	16×25	880	18×40	855										
680	16×31.5	900												
1000	18×35.5	985												

Refer to YXA series for low capacitance models.