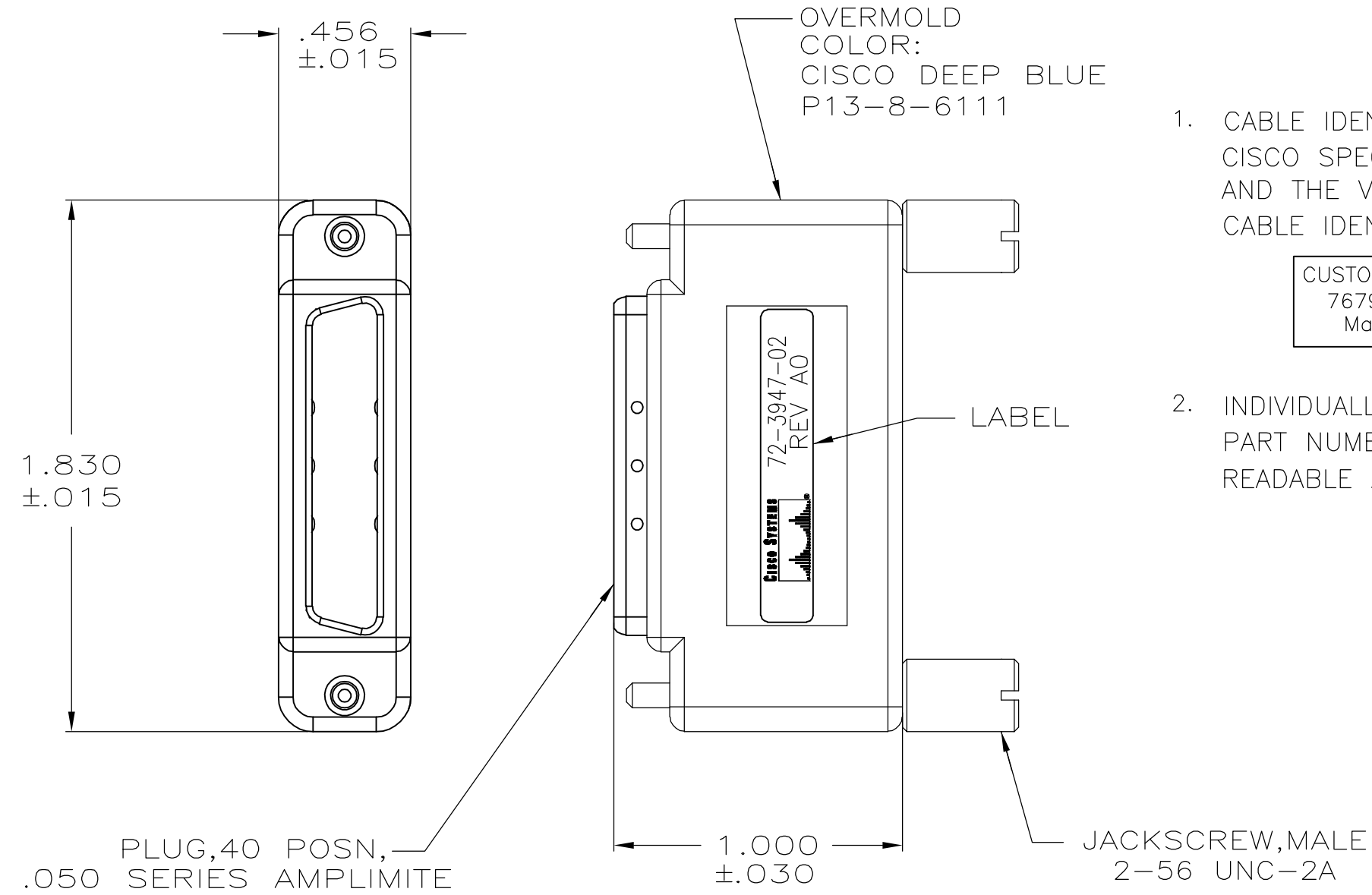


THIS DRAWING IS UNPUBLISHED. RELEASED FOR PUBLICATION
 © COPYRIGHT - BY TYCO ELECTRONICS CORPORATION. ALL RIGHTS RESERVED.

LOC	DIST	REVISIONS			
P	LTR	DESCRIPTION	DATE	DWN	APVD
GP	00	A1	ADD NOTE 1	09/02/05	RB LW



- CABLE IDENTIFICATION AND PACKAGING LABELING ACCORDING TO CISCO SPECIFICATION 95-5583-01. CISCO VENDOR CODE IS 76798 AND THE VENDOR ID IS TYC FOR SUPPLIER TYCO. CABLE IDENTIFICATION LABEL INFORMATION AS SHOWN BELOW,

CUSTOMER P/N Rev.**
 76798 TYC MMY
 Made in China

- INDIVIDUALLY BAG AND LABEL. LABEL TO CONTAIN CUSTOMER PART NUMBER AND COUNTRY OF ORIGIN (US) IN HUMAN READABLE AND BAR CODED FORMAT.

1653833-1
 PART NO

THIS DRAWING IS A CONTROLLED DOCUMENT.		DWN T.SMITH 20NOV02	tyco Electronics	Tyco Electronics Corporation Harrisburg, Pa 17105-3608													
DIMENSIONS: INCHES		CHK J.HACKMAN 20NOV02		NAME EMI COVER, PLUG, .050 SERIES AMPLIMITE													
TOLERANCES UNLESS OTHERWISE SPECIFIED:		APVD J.HACKMAN 20NOV02	PRODUCT SPEC -														
<table border="0"> <tr><td>0 PLC</td><td>± -</td></tr> <tr><td>1 PLC</td><td>± -</td></tr> <tr><td>2 PLC</td><td>± -</td></tr> <tr><td>3 PLC</td><td>± -</td></tr> <tr><td>4 PLC</td><td>± -</td></tr> <tr><td>ANGLES</td><td>± -</td></tr> </table>		0 PLC	± -	1 PLC	± -	2 PLC	± -	3 PLC	± -	4 PLC	± -	ANGLES	± -	APPLICATION SPEC -	SIZE A3	CAGE CODE 00779	DRAWING NO C-1653833
0 PLC	± -																
1 PLC	± -																
2 PLC	± -																
3 PLC	± -																
4 PLC	± -																
ANGLES	± -																
MATERIAL -		FINISH -	WEIGHT -	RESTRICTED TO -													
CUSTOMER DRAWING			SCALE 1:1	SHEET 1 OF 1	REV A1												