

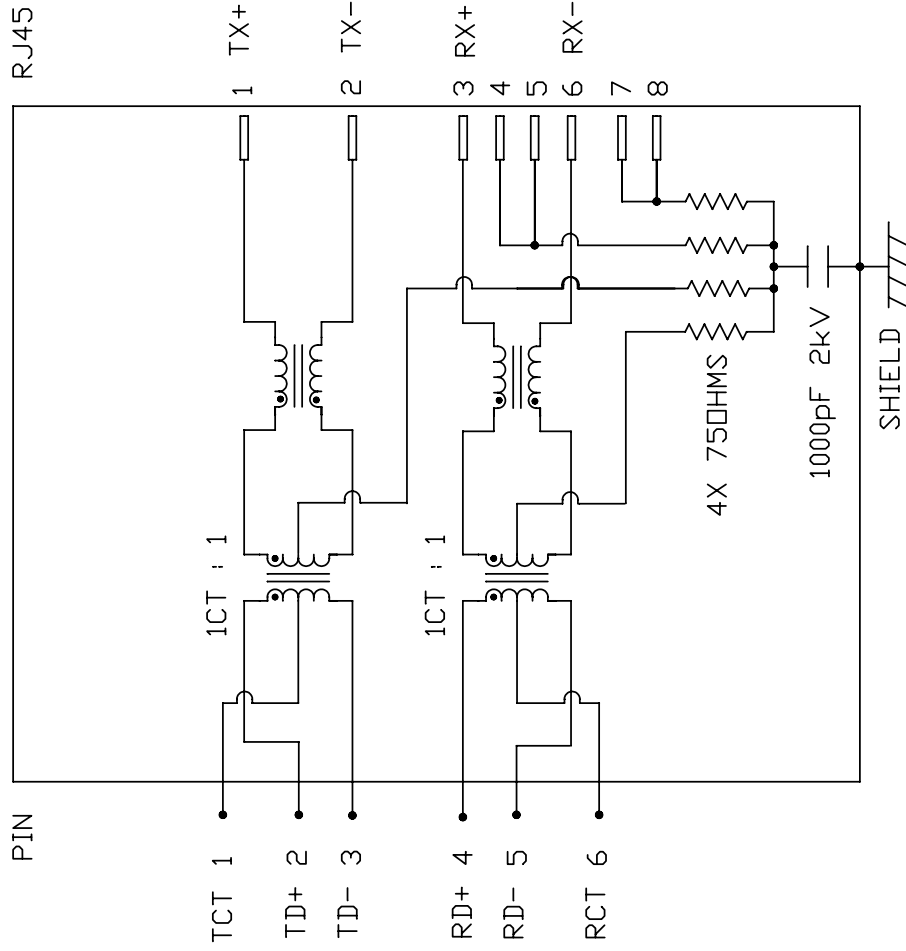
THE INFORMATION CONTAINED HEREIN IS CONSIDERED 'PROPRIETARY' TO BEL FUSE INC. AND SHALL NOT BE COPIED, REPRODUCED OR DISCLOSED WITHOUT THE WRITTEN APPROVAL OF BEL FUSE INC.



ELECTRICAL CHARACTERISTICS @ 25°C

TURNS RATIO
 TX 1CT : 1
 RX 1CT : 1
 DCL @ 100kHz/100mVRMS 350µH MIN.
 8mA DC BIAS
 INS. LOSS 1MHz TO 100MHz -1.0 dB MAX
 RET. LOSS (MIN) 1MHz-30MHz -18 dB
 30MHz-60MHz -18+20LOG(F/30MHz) dB
 60MHz-80MHz -12 dB
 CROSS TALK (TX - RX) 500kHz-100MHz -35 dB MIN
 CM TO CM REJ 100kHz-100MHz -30 dB MIN
 CM TO DM REJ 100kHz-100MHz -40 dB MIN
 HIPOT (Isolation Voltage): 1500 Vrms
 100% OF PRODUCTION TESTED TO COMPLY WITH IEEE 802.3 ISOLATION REQUIREMENTS.
 OPERATING TEMPERATURE: -40 TO +85°C

SCHEMATIC



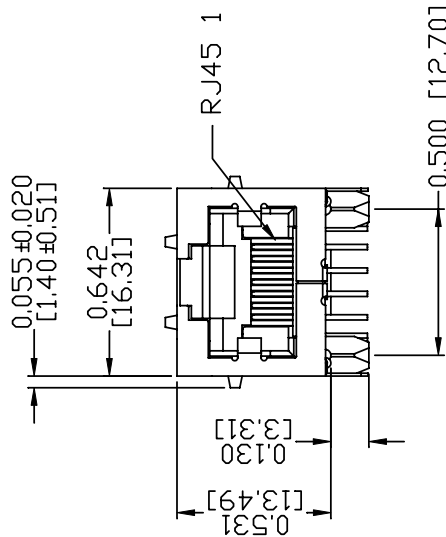
ORIGINATED BY	DATE	TITLE
CHOW WANCHUNG	2012-08-03	MagJack® (Extend Temp. AND 4 CORE WITH CM terminal) 08B1-1X1T-36-F PATENTED
DRAWN BY	DATE	
TAN QIGUANG	2012-08-03	

PART NO. / DRAWING NO.	STANDARD DIM.
08B1X1T36-F	TOL. IN INCH
FILE NAME	.X
08B1X1T36-F_D.DWG	.XX
	.XXX

[] METRIC DIM. AS REFERENCE	REV. :
UNIT : INCH [mm]	D
SCALE : N/A	SIZE : A4
⊕	PAGE : 2

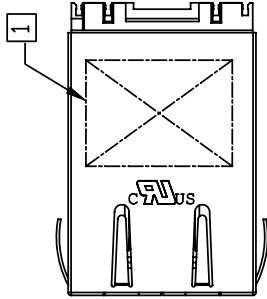
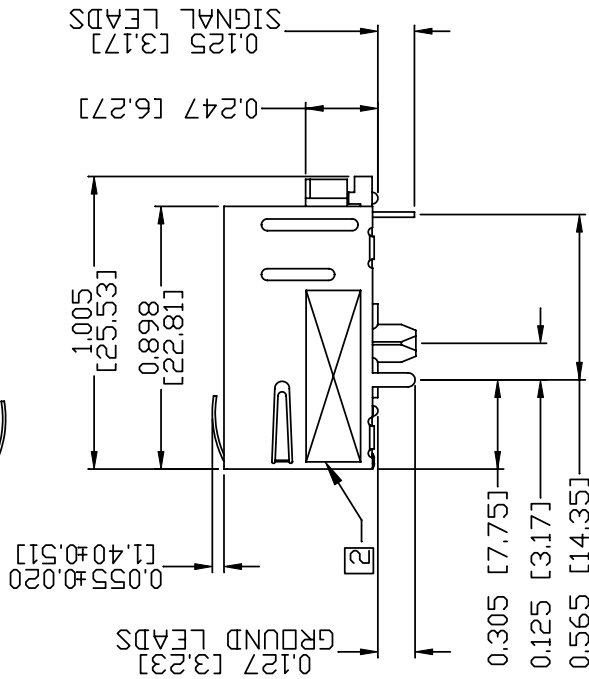
THE INFORMATION CONTAINED HEREIN IS CONSIDERED "PROPRIETARY" TO BEL FUSE INC. AND SHALL NOT BE COPIED, REPRODUCED OR DISCLOSED WITHOUT THE WRITTEN APPROVAL OF BEL FUSE INC.

MECHANICAL SPECIFICATION



NOTES:

- PLASTIC HOUSING: THERMOPLASTIC PBT
FLAMMABILITY RATING UL 94V-0
- CONTACTS PLATING: 15 MICRO-INCH HARD GOLD PLATING
OR EQUIVALENT.
- PINS: TIN-COATED COPPER WIRE, DIA 0.018 INCH.
- METAL SHIELD: PRE-PLATED NICKEL ON COPPER ALLOY.
- MARK PART WITH MFG LOGO, MFG NAME, PART NUMBER,
AND DATE CODE.
- ☑ "PATENTED" MARKING.



- UL RECOGNIZED - FILE #E196366 AND E169987.
- 3. THE PRODUCT IS RoHS COMPLIANT.
- 4. JACK CAVITY CONFORMS TO FCC RULES AND REGULATIONS.
PART 68 SUBPART F.
- 5. THE PRODUCT IS PATENTED, THE PATENT NUMBER IS
U.S. PAT. 5,736,910.

ORIGINATED BY	DATE
ANTON LIAD	2012-08-03
DRAWN BY	DATE
HE ZHEN	2012-08-03

TITLE	MagJack® (Extend Temp. AND 4 CORE WITH CM terminal) 08B1-1X1T-36-F PATENTED
-------	---

PART NO. / DRAWING NO.	08B11X1T36-F
FILE NAME	08B11X1T36-F_D.DWG

STANDARD DIM.	TOL. IN INCH
.X	
.XX	
.XXX	±0.010

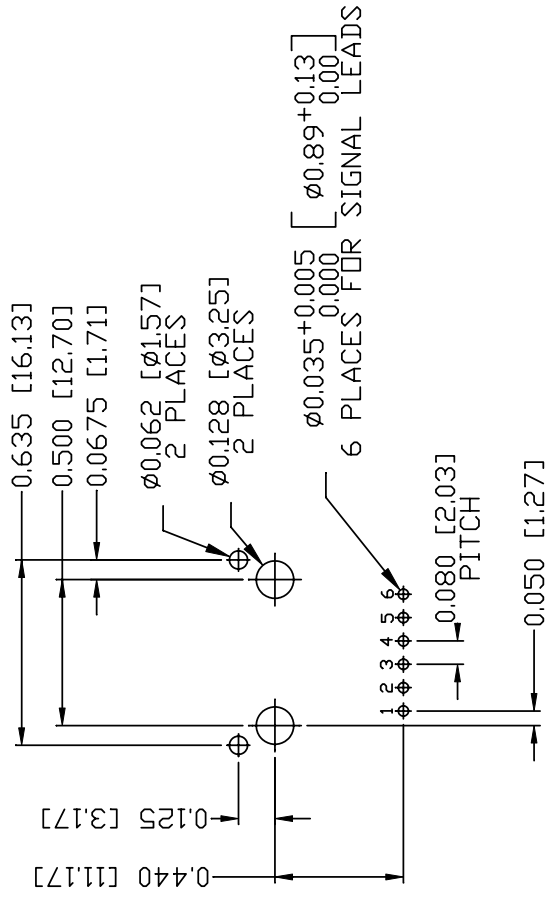
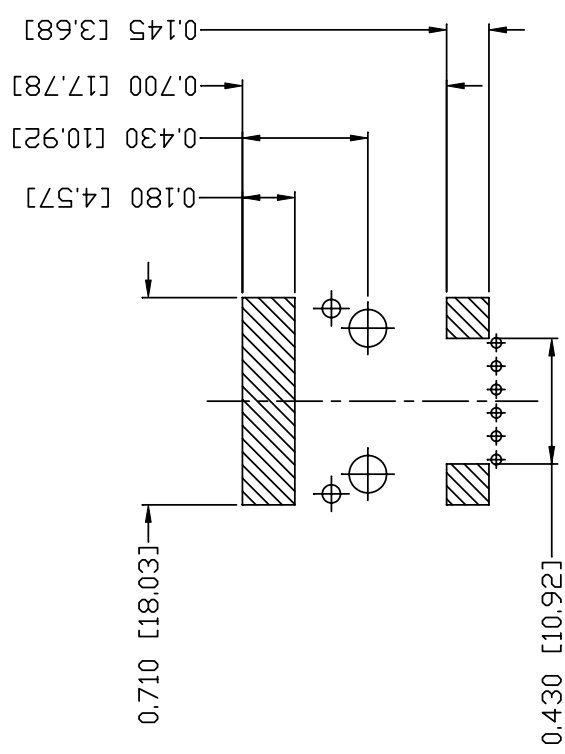
[] METRIC DIM. AS REFERENCE	UNIT : INCH [mm]	REV. : D
SCALE : N/A	SIZE : A4	PAGE : 3



THE INFORMATION CONTAINED HEREIN IS CONSIDERED "PROPRIETARY" TO BEL FUSE INC. AND SHALL NOT BE COPIED, REPRODUCED OR DISCLOSED WITHOUT THE WRITTEN APPROVAL OF BEL FUSE INC.



RECOMMENDED PCB FOOTPRINT
COMPONENT SIDE VIEW



NOTES:

THE SHADED AREA ON THE CUSTOMER BOARD ARE RECOMMENDED TO BE CLEAR OFF ANY VIA HOLE OR COMPONENT PAD.

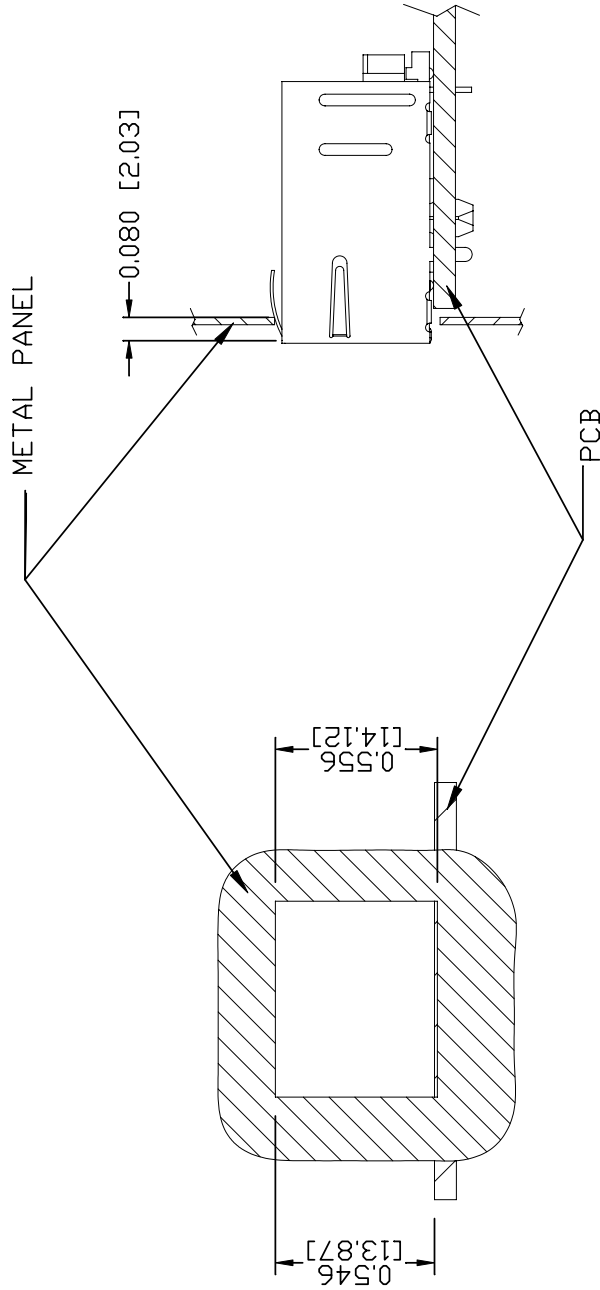
ORIGINATED BY ANTON LIAO	DATE 2012-08-03	TITLE MagJack © (Extend Temp. AND 4 CORE WITH CM terminal) 08B1-1X1T-36-F PATENTED	PART NO. / DRAWING NO. 08B11X1T36-F	STANDARD DIM. TOL. IN INCH .X .XX .XXX	[] METRIC DIM. AS REFERENCE UNIT : INCH [mm] SCALE : N/A	REV. : D SIZE : A4 PAGE : 4
DRAWN BY HE ZHEN	DATE 2012-08-03		FILE NAME 08B11X1T36-F_D.DWG			

This document is electronically generated. This is a controlled copy if used internally

THE INFORMATION CONTAINED HEREIN IS CONSIDERED "PROPRIETARY" TO BEL FUSE INC. AND SHALL NOT BE COPIED, REPRODUCED OR DISCLOSED WITHOUT THE WRITTEN APPROVAL OF BEL FUSE INC.

RoHS

SUGGESTED PANEL OPENING



NOTE:

THE DISTANCE OF PANEL INSIDE SURFACE RELATIVE TO FRONT SURFACE OF PART IS ONLY A SUGGESTION. IN CASE THIS DISTANCE IS DIFFERENT, THE REQUIRED PANEL OPENING DIMENSIONS CHANGE ACCORDINGLY.

PACKING INFORMATION

PACKING TRAY : 0200-9999-D4(TOP)

0200-9999-D5(BOTTOM)

PACKING QUANTITY : 60 PCS FINISHED GOODS PER TRAY

11 TRAYS (660 PCS FINISHED GOODS) PER CARTON BOX

NOTE : CARDBOARDS ARE PLACED BETWEEN LAYERS OF PACKING TRAY INSIDE CARTON BOX
(INCLUDE THE UPPERMOST AND LOWERMOST TRAY)

ORIGINATED BY ANTON LIAO	DATE 2012-08-03	TITLE MagJack @ (Extend Temp. AND 4 CORE WITH CM terminal) 08B1-1X1T-36-F PATENTED	PART NO. / DRAWING NO. 08B11X1T36-F FILE NAME 08B11X1T36-F_D.DWG	STANDARD DIM. TOL. IN INCH .X .XX .XXX	[] METRIC DIM. AS REFERENCE		
	DATE 2012-08-03				UNIT : INCH [mm]	REV. : D	SCALE : N/A
DRAWN BY HE ZHEN			⊕ — ⊖				

This document is electronically generated. This is a controlled copy if used internally

DC002(2)081111

