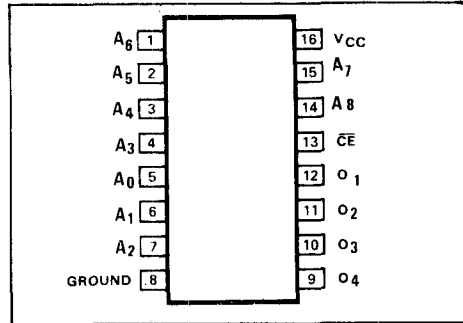


Signetics

Memories – Bipolar Proms

N82S130, N82S131 – 2048 Bit Field Programmable Bipolar Prom

CONNECTION DIAGRAM



GENERAL DESCRIPTION

The 82S130 and 82S131 are field programmable, which means that custom patterns are immediately available by following the fusing procedure given in this data sheet. The standard 82S130 and 82S131 are supplied with all outputs at logical low. Outputs are programmed to a logic high level at any specified address by fusing a Ni-Cr link matrix.

These devices include on-chip decoding and 1 chip enable input for ease of memory expansion. They feature either open collector or tri-state outputs for optimization of word expansion in bused organizations.

Both 82S130 and 82S131 devices are available in the commercial and military temperature ranges. For the commercial temperature range (0° to +75°C) specify N82S130/131, F or N, and for the military temperature range (-55°C to +125°C) specify S82S130/131, F.

FEATURES

- Address access time:
N82S130/131: 50ns max
S82S130/131: 70ns max
- Power dissipation: 0.3mW/bit typ
- Input loading:
N82S130/131: -100µA max
S82S130/131: -150µA max
- On-chip address decoding
- Output options:
82S130: Open collector
82S131: Tri-state
- No separate fusing pins
- Unprogrammed outputs are low level
- Fully TTL compatible

APPLICATIONS

- Prototyping/volume production
- Sequential controllers
- Microprogramming
- Hardwired algorithms
- Control store
- Random logic
- Code conversion

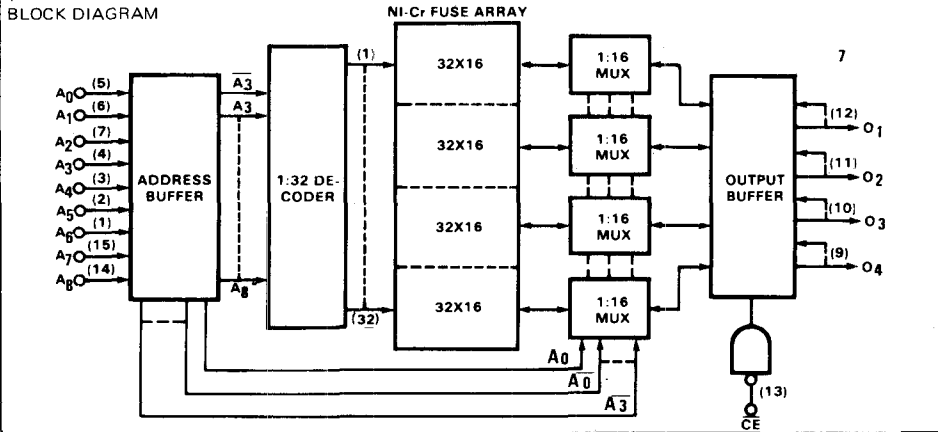
MAXIMUM RATINGS

PARAMETER	RATING	UNIT
V _{CC}	Supply voltage	+7 Vdc
V _{IN}	Input voltage	+5.5 Vdc
	Output voltage	Vdc
V _{OH}	High (82S130)	+5.5
V _O	Off-state (82S131)	+5.5
	Temperature range	°C
T _A	Operating	
	N82S130/131	0 to +75
	S82S130/131	-55 to +125
T _{STG}	Storage	-65 to +150

REFERENCE TABLE

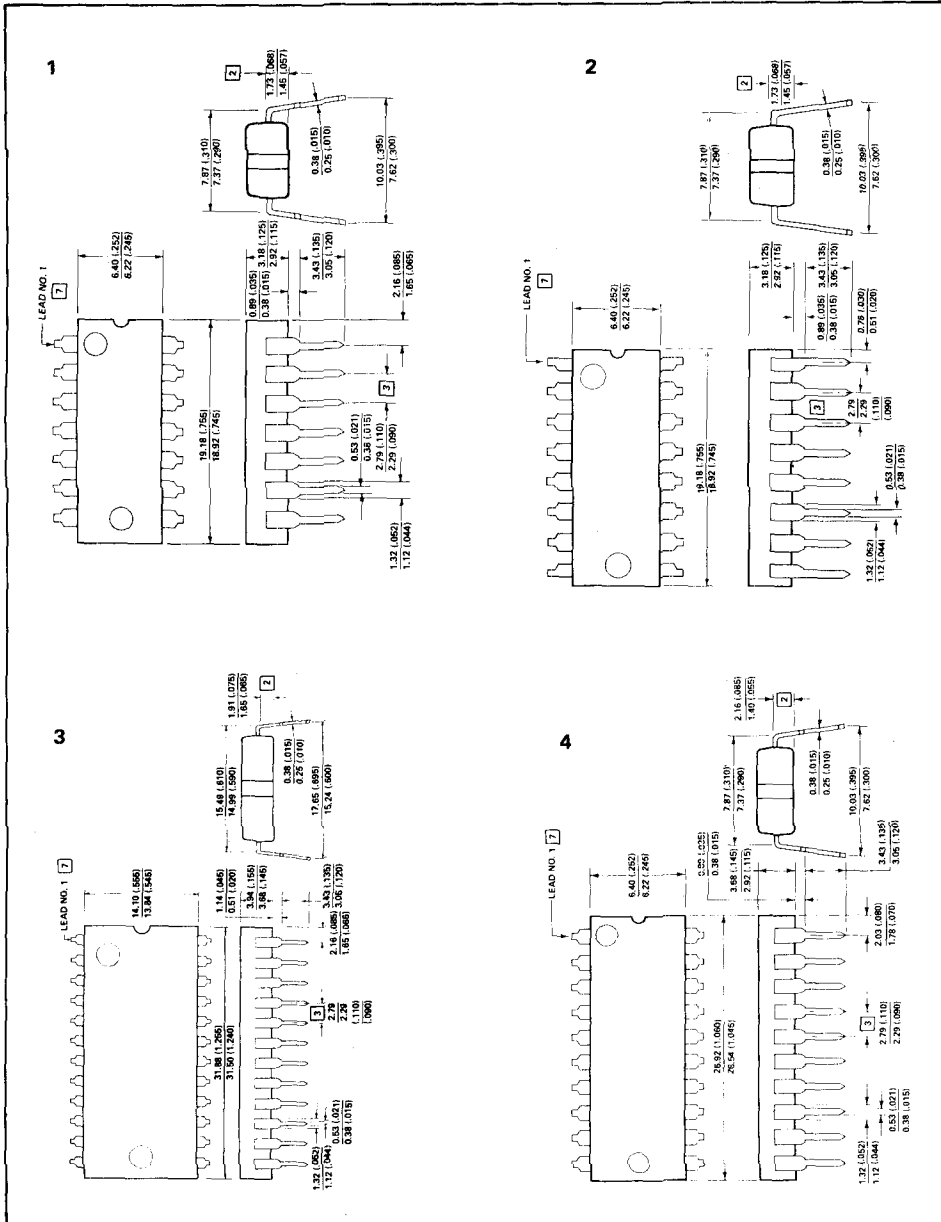
TYPE NO.	STOCK NO.	OUTLINE DRWG. NO.
N82S130F	56309X	2
N82S130N	56310B	2
N82S131F	56311X	2
N82S131N	56312R	2

BLOCK DIAGRAM



ITT GEMINI

FOR CURRENT PRICES PHONE
HARLOW (0279) 29644

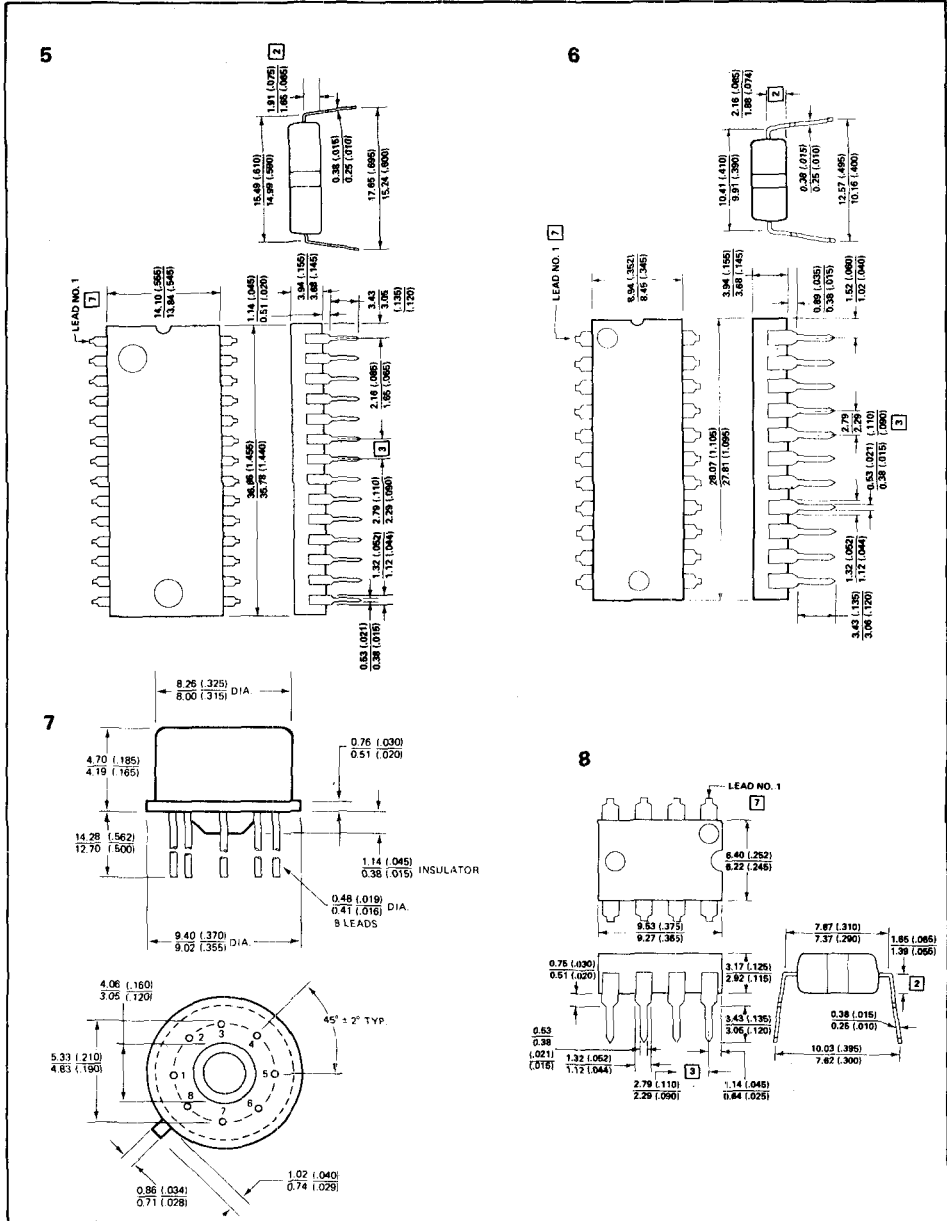


PLEASE QUOTE STOCK NO.
AND MANUFACTURERS PART NO. WHEN ORDERING



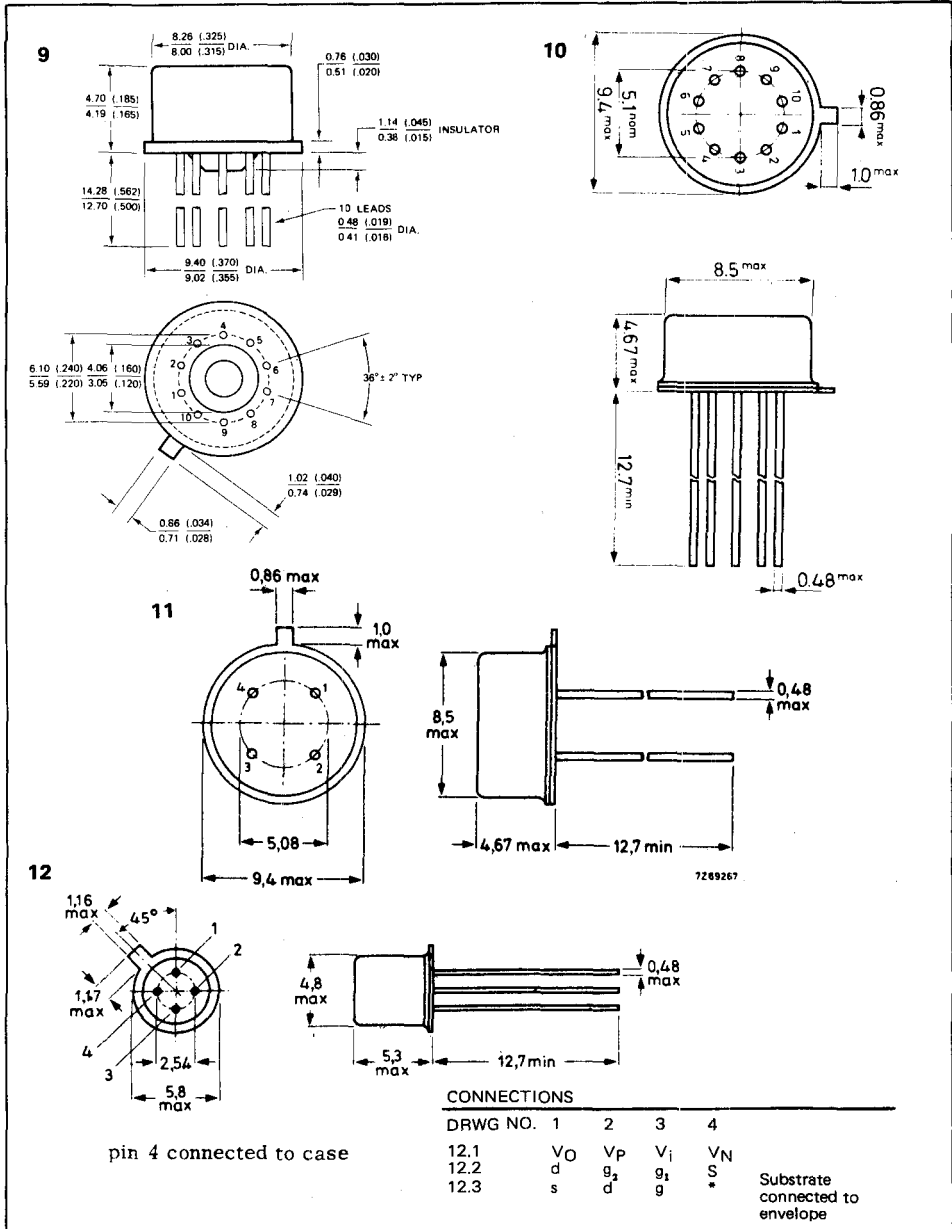
Signetics

Outline Drawings



GEMINI

FOR CURRENT PRICES PHONE
HARLOW (0279) 29644

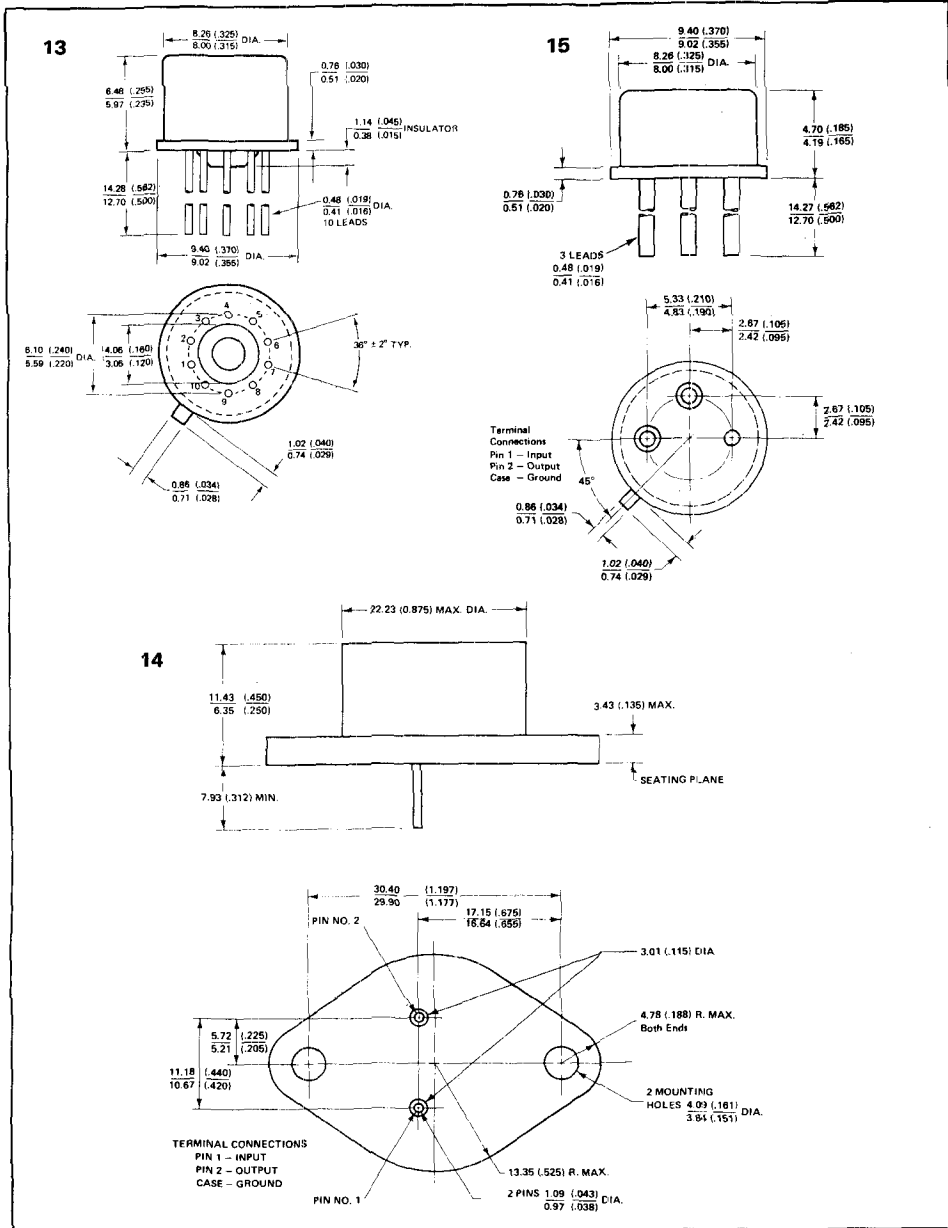


PLEASE QUOTE STOCK NO.
AND MANUFACTURERS PART NO. WHEN ORDERING

ITT GEMINI

Signetics

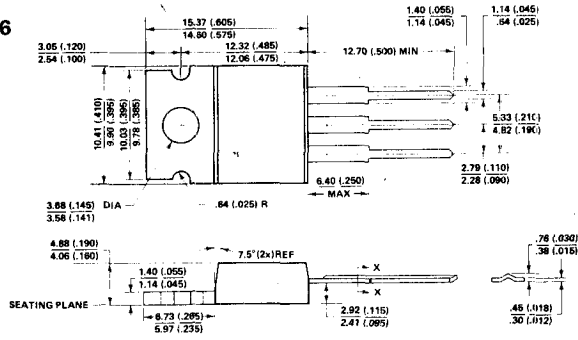
Outline Drawings



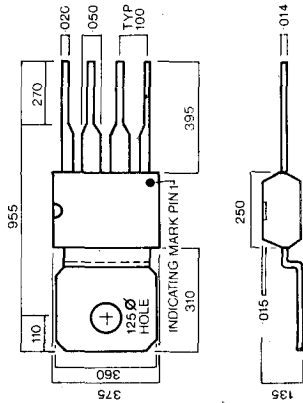
ITT GEMINI

FOR CURRENT PRICES PHONE
HARLOW (0279) 29644

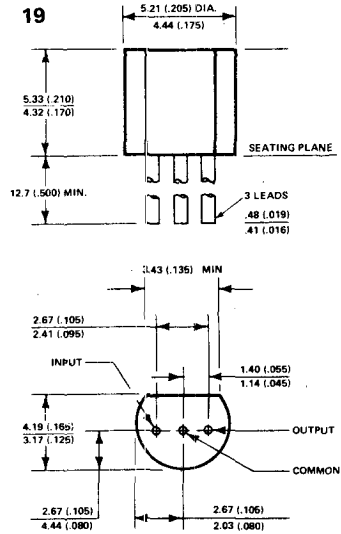
16



17



19



PLEASE QUOTE STOCK NO.
AND MANUFACTURER'S PART NO. WHEN ORDERING

TTT GEMINI

