

Power Relay 430 3 mm

1 pole 16 A, DC- and AC-coil



F0256-A

Features

- 1 N/O contact
- Safety mains isolation
- Contact gap > 3 mm
- 4 kV / 8 mm coil-contact, protection class II (VDE 0700)
- PCB mounting or Faston connectors
- Mounting brackets or snap mounting
- Version with arc blow magnet for high DC-loads

Applications

Domestic appliances, industrial appliances, industrial controls



Technical data of approved types on request

Contact data

Configuration	1 N/O contact
Type of contact	single contact
Rated current	16 A
Rated voltage / max. breaking voltage AC	250 Vac / 400 Vac
Maximum breaking capacity AC	4000 VA
Make current (max. 4 s at duty cycle 10%)	25 A
Contact material	AgCdO, AgCu3
Contact gap	>3 mm

Contact ratings

Type	Load	Operations
430x5	16 A, 250 Vac, resistive, 70 °C	1.5x10 ⁵
430x5	10 A, 250 Vac, resistive, 105 °C	1.5x10 ⁵

Coil data

Nominal voltage	DC coil	6...110 Vdc
	AC coil	6...240 Vac
Nominal coil power	DC coil	1 W
	AC coil	1.8 VA
Operate category		2 / b

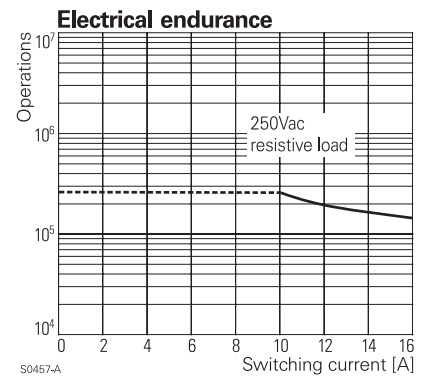
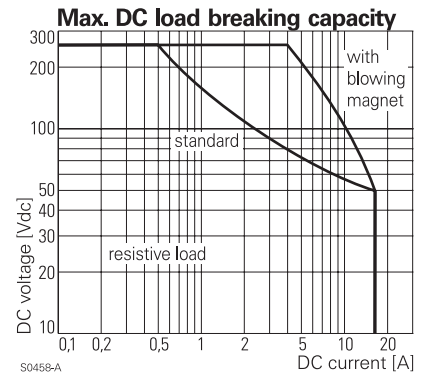
Coil versions, DC coil

Coil code	Nominal voltage Vdc	Pull-in voltage Vdc	Release voltage Vdc	Maximum voltage Vdc	Coil resistance Ω	Coil current mA
09	12	7.8	0.6	15.6	145±10%	83.0
10	24	15.6	1.2	31.2	580±10%	41.0
11	48	31.2	2.4	62.4	2200±10%	22.0
13	110	71.5	5.5	143.0	13000±10%	9.0

Coil versions, AC coil

Coil code	Nominal voltage Vac	Pull-in voltage Vac	Release voltage Vac	Maximum voltage Vac	Coil resistance Ω	Coil current mA
23	24	18	3.6	27.0	145±10%	75.0
25	60	45	9.0	69.0	950±10%	30.0
26	110	83	16.0	127.0	3100±10%	16.0
28	240	185	36.0	264.0	13000±10%	8.0

All figures are given for coil without preenergization, at ambient temperature +20°C
Other coil voltages on request



Power Relay 430 3 mm

1 pole 16 A, DC- and AC-coil

Insulation

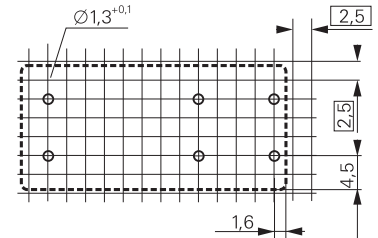
Dielectric strength	coil-contacts	4000 V _{rms}
	open contact circuit	2000 V _{rms}
Clearance / creepage		8 / 8 mm
Insulation to IEC 60664		
Voltage rating		250 V
Pollution degree		3
Overvoltage category		III
Insulation to VDE 0110b (2/79)		
Insulation category / reference voltage		C / 250
Tracking resistance of relay base		PTI 380H

Other data

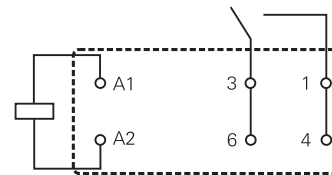
Ambient temperature	-20...+70 °C
Mechanical life	>2.5x10 ⁵ operations
Max. switching rate at rated- / minimum load	15 min ⁻¹ / 300 min ⁻¹
Operate- / release time	typ. 15 / 8 ms
Bounce time	typ. 4 ms
Shock resistance (destruction)	100 g
Category of protection (IEC 61810)	RT I - dust protected
Relay weight	32 g
Packaging unit	50 pcs.

PCB layout / terminal assignment

View on solder pins
Dimensions in mm



S0448-AE

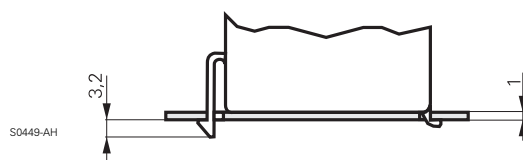
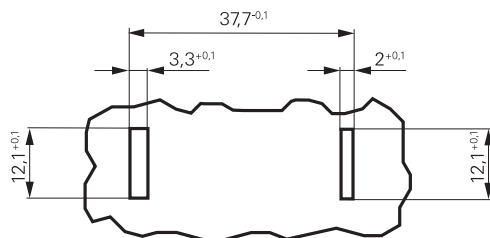
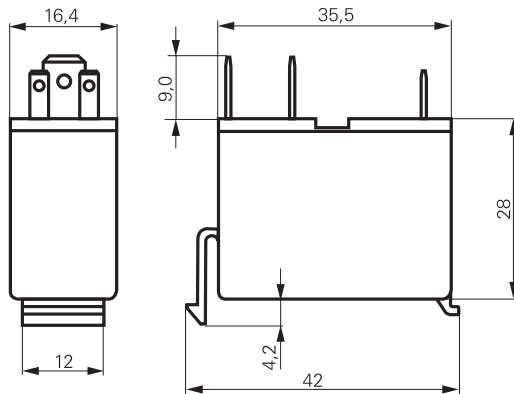


S0448-AF

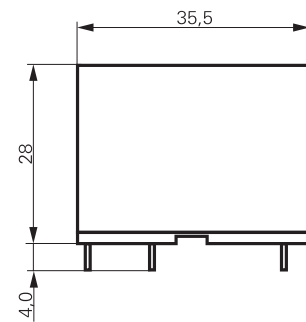
Dimensions

Snap mounting

Dimensions in mm



S0449-AH



S0449-AB

Power Relay 430 3 mm

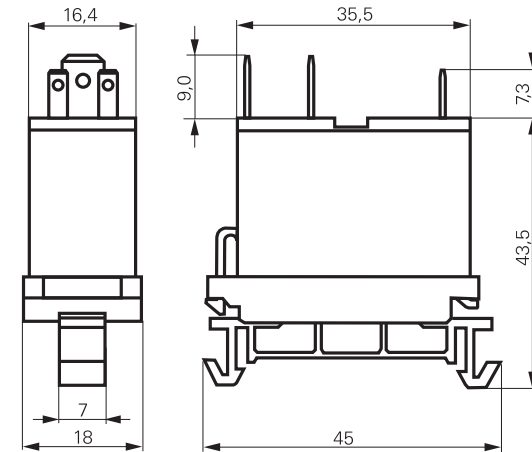
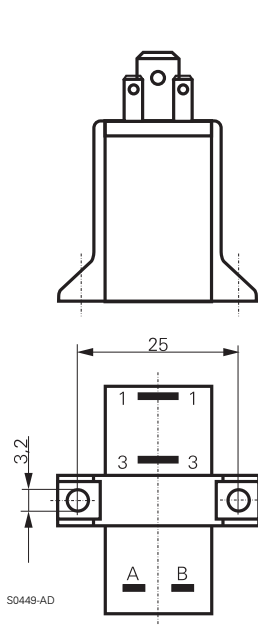
1 pole 16 A, DC- and AC-coil

Dimensions

Dimensions in mm

Mounting brackets

DIN-rail mount



Product key

0 4 3 0 [] [] [] [] 1 0 0

Type

Mounting

- 0 PCB version
- 1 mounting brackets
- 2 snap mounting
- 5 DIN rail mounting

Contact design

- 4 arc blowing magnet
- 5 standard

Coil

Coil code: Please refer to coil versions table

Contact material

- 0 AgCu3
- 1 AgCdO

Other types on request

Product key	Version	Cont-material	Cont-config.	Coil	Coil	Part number
0430 25 0911 00	snap mounting	AgCdO	1 N/O contact	DC-coil	12Vdc	1-1415404-1
0430 25 1011 00	1.0mm plate				24Vdc	1-1415404-3
0430 25 2811 00				AC-coil	240Vac	1-1415404-6