

Document Title**512Kx8 bit Low Power and Low Voltage CMOS Static RAM****Revision History**

<u>Revision No.</u>	<u>History</u>	<u>Draft Data</u>	<u>Remark</u>
0.0	Initial Draft	January 13, 1998	Advance
0.1	Revised - Speed bin change KM68U4000C : 85/100ns → 70/85/100ns - DC Characteristics change Icc : 5mA at read/write → 4mA at read Icc1 : 3mA → 4mA Icc2 : 35mA → 30mA Isb : 0.5mA → 0.3mA Isb1 : 10μA → 15μA for commercial parts - Add 32-TSOP1-0820	June 12, 1998	Preliminary
0.11	Errata correct - 32-TSOP1-0813 products: T → TG	November 7, 1998	
1.0	Finalize	January 15, 1999	Final

The attached datasheets are provided by SAMSUNG Electronics. SAMSUNG Electronics CO., LTD. reserve the right to change the specifications and products. SAMSUNG Electronics will answer to your questions about device. If you have any questions, please contact the SAMSUNG branch offices.

512K×8 bit Low Power and Low Voltage CMOS Static RAM

FEATURES

- Process Technology : TFT
- Organization : 512K×8
- Power Supply Voltage
 - KM68V4000C Family : 3.0~3.6V
 - KM68U4000C Family : 2.7~3.3V
- Low Data Retention Voltage : 2V(Min)
- Three state output and TTL Compatible
- Package Type : 32-SOP-525, 32-TSOP2-400F/R
32-TSOP1-0820F, 32-TSOP1-0813.4F

GENERAL DESCRIPTION

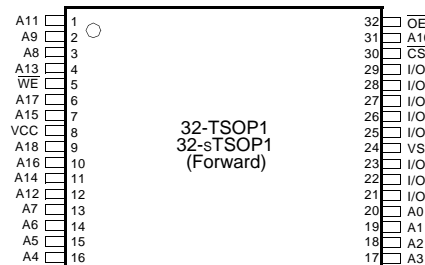
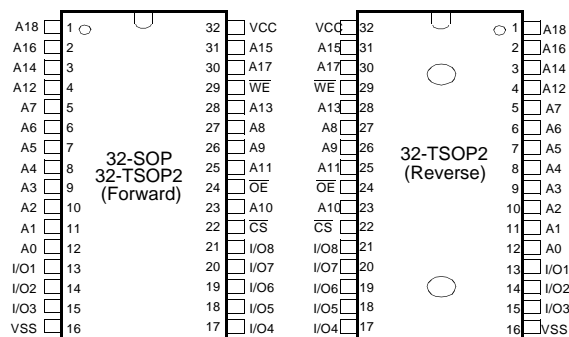
The KM68V4000C and KM68U4000C families are fabricated by SAMSUNG's advanced CMOS process technology. The families support various operating temperature range and have various package type for user flexibility of system design. The families also support low data retention voltage for battery back-up operation with low data retention current.

PRODUCT FAMILY

Product Family	Operating Temperature	Vcc Range	Speed(ns)	Power Dissipation		PKG Type
				Standby (I _{SB1} , Max)	Operating (I _{CC2} , Max)	
KM68V4000CL-L	Commercial(0~70°C)	3.0~3.6V	70 ¹⁾ /85	15μA	30mA	32-SOP 32-TSOP2-F/R 32-TSOP1-F 32-sTSOP1-F
KM68V4000CLI-L	Industrial(-40~85°C)	3.0~3.6V	70 ¹⁾ /85	20μA		
KM68U4000CL-L	Commercial(0~70°C)	2.7~3.3V	70 ¹⁾ /85/100	15μA		
KM68U4000CLI-L	Industrial(-40~85°C)	2.7~3.3V	70 ¹⁾ /85/100	20μA		

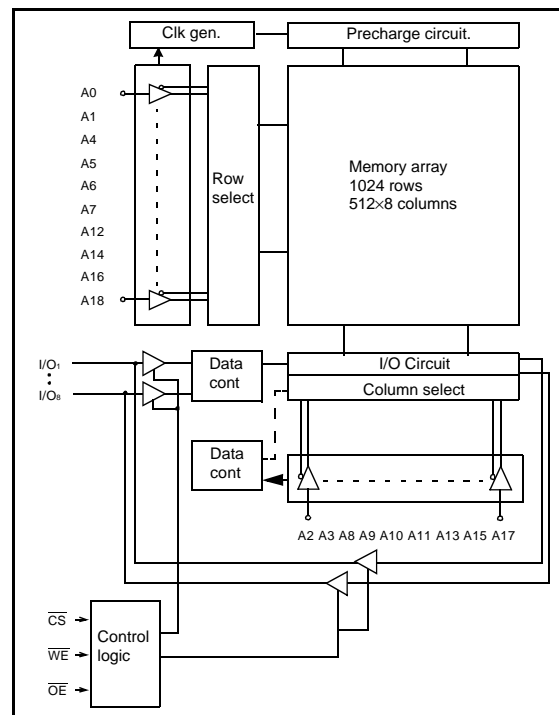
1. The parameter is measured with 30pF test load.

PIN DESCRIPTION



Name	Function	Name	Function
A0~A18	Address Inputs	Vcc	Power
\overline{WE}	Write Enable Input	Vss	Ground
\overline{CS}	Chip Select Input	I/O1~I/O8	Data Inputs/Outputs
\overline{OE}	Output Enable Input		

FUNCTIONAL BLOCK DIAGRAM



SAMSUNG ELECTRONICS CO., LTD. reserves the right to change products and specifications without notice.

PRODUCT LIST

Commercial Temp Products(0~70°C)		Industrial Temp Products(-40~85°C)	
Part Name	Function	Part Name	Function
KM68V4000CLG-7L	32-SOP, 70ns, 3.3V, LL	KM68V4000CLGI-7L	32-SOP, 70ns, 3.3V, LL
KM68V4000CLG-8L	32-SOP, 85ns, 3.3V, LL	KM68V4000CLGI-8L	32-SOP, 85ns, 3.3V, LL
KM68V4000CLT-7L	32-TSOP2-F, 70ns, 3.3V, LL	KM68V4000CLTI-7L	32-TSOP2-F, 70ns, 3.3V, LL
KM68V4000CLT-8L	32-TSOP2-F, 85ns, 3.3V, LL	KM68V4000CLTI-8L	32-TSOP2-F, 85ns, 3.3V, LL
KM68V4000CLR-7L	32-TSOP2-R, 70ns, 3.3V, LL	KM68V4000CLRI-7L	32-TSOP2-R, 70ns, 3.3V, LL
KM68V4000CLR-8L	32-TSOP2-R, 85ns, 3.3V, LL	KM68V4000CLRI-8L	32-TSOP2-R, 85ns, 3.3V, LL
KM68V4000CLY-7L	32-TSOP1-F, 70ns, 3.3V, LL	KM68V4000CLYI-7L	32-TSOP1-F, 70ns, 3.3V, LL
KM68V4000CLY-8L	32-TSOP1-F, 85ns, 3.3V, LL	KM68V4000CLYI-8L	32-TSOP1-F, 85ns, 3.3V, LL
KM68V4000CLTG-7L	32-sTSOP1-F, 70ns, 3.3V, LL	KM68V4000CLTGI-7L	32-sTSOP1-F, 70ns, 3.3V, LL
KM68V4000CLTG-8L	32-sTSOP1-F, 85ns, 3.3V, LL	KM68V4000CLTGI-8L	32-sTSOP1-F, 85ns, 3.3V, LL
KM68U4000CLG-7L	32-SOP, 70ns, 3.0V, LL	KM68U4000CLGI-7L	32-SOP, 70ns, 3.0V, LL
KM68U4000CLG-8L	32-SOP, 85ns, 3.0V, LL	KM68U4000CLGI-8L	32-SOP, 85ns, 3.0V, LL
KM68U4000CLG-10L	32-SOP, 100ns, 3.0V, LL	KM68U4000CLGI-10L	32-SOP, 100ns, 3.0V, LL
KM68U4000CLT-7L	32-TSOP2-F, 70ns, 3.0V, LL	KM68U4000CLTI-7L	32-TSOP2-F, 70ns, 3.0V, LL
KM68U4000CLT-8L	32-TSOP2-F, 85ns, 3.0V, LL	KM68U4000CLTI-8L	32-TSOP2-F, 85ns, 3.0V, LL
KM68U4000CLT-10L	32-TSOP2-F, 100ns, 3.0V, LL	KM68U4000CLTI-10L	32-TSOP2-F, 100ns, 3.0V, LL
KM68U4000CLR-7L	32-TSOP2-R, 70ns, 3.0V, LL	KM68U4000CLRI-7L	32-TSOP2-R, 70ns, 3.0V, LL
KM68U4000CLR-8L	32-TSOP2-R, 85ns, 3.0V, LL	KM68U4000CLRI-8L	32-TSOP2-R, 85ns, 3.0V, LL
KM68U4000CLR-10L	32-TSOP2-R, 100ns, 3.0V, LL	KM68U4000CLRI-10L	32-TSOP2-R, 100ns, 3.0V, LL
KM68U4000CLY-7L	32-TSOP1-F, 70ns, 3.0V, LL	KM68U4000CLYI-7L	32-TSOP1-F, 70ns, 3.0V, LL
KM68U4000CLY-8L	32-TSOP1-F, 85ns, 3.0V, LL	KM68U4000CLYI-8L	32-TSOP1-F, 85ns, 3.0V, LL
KM68U4000CLY-10L	32-TSOP1-F, 100ns, 3.0V, LL	KM68U4000CLYI-10L	32-TSOP1-F, 100ns, 3.0V, LL
KM68U4000CLTG-7L	32-sTSOP1-F, 70ns, 3.0V, LL	KM68U4000CLTGI-7L	32-sTSOP1-F, 70ns, 3.0V, LL
KM68U4000CLTG-8L	32-sTSOP1-F, 85ns, 3.0V, LL	KM68U4000CLTGI-8L	32-sTSOP1-F, 85ns, 3.0V, LL
KM68U4000CLTG-10L	32-sTSOP1-F, 100ns, 3.0V, LL	KM68U4000CLTGI-10L	32-sTSOP1-F, 100ns, 3.0V, LL

FUNCTIONAL DESCRIPTION

CS	OE	WE	I/O	Mode	Power
H	X ¹⁾	X ¹⁾	High-Z	Deselected	Standby
L	H	H	High-Z	Output Disabled	Active
L	L	H	Dout	Read	Active
L	X ¹⁾	L	Din	Write	Active

1. X means don't care (Must be in low or high state)

ABSOLUTE MAXIMUM RATINGS¹⁾

Item	Symbol	Ratings	Unit	Remark
Voltage on any pin relative to Vss	V _{IN} , V _{OUT}	-0.5 to V _{CC} +0.5	V	-
Voltage on Vcc supply relative to Vss	V _{CC}	-0.3 to 4.6	V	-
Power Dissipation	P _D	1.0	W	-
Storage temperature	T _{STG}	-65 to 150	°C	-
Operating Temperature	T _A	0 to 70	°C	KM68V4000CL, KM68U4000CL
		-40 to 85	°C	KM68V4000CLI, KM68U4000CLI

1. Stresses greater than those listed under "Absolute Maximum Ratings" may cause permanent damage to the device. Functional operation should be restricted to recommended operating condition. Exposure to absolute maximum rating conditions for extended periods may affect reliability.

RECOMMENDED DC OPERATING CONDITIONS¹⁾

Item	Symbol	Product	Min	Typ	Max	Unit
Supply voltage	V _{CC}	KM68V4000C Family	3.0	3.3	3.6	V
		KM68U4000C Family	2.7	3.0	3.3	
Ground	V _{SS}	All Family	0	0	0	V
Input high voltage	V _{IH}	KM68V4000C, KM68U4000C Family	2.2	-	V _{CC} +0.3 ²⁾	V
Input low voltage	V _{IL}	KM68V4000C, KM68U4000C Family	-0.3 ³⁾	-	0.6	V

Note:

1. Commercial Product : T_A=0 to 70°C, otherwise specified

Industrial Product : T_A=-40 to 85°C, otherwise specified

2. Overshoot : V_{CC}+2.0V in case of pulse width ≤ 30ns

3. Undershoot : -2.0V in case of pulse width ≤ 30ns

4. Overshoot and undershoot are sampled, not 100% tested.

CAPACITANCE¹⁾ (f=1MHz, T_A=25°C)

Item	Symbol	Test Condition	Min	Max	Unit
Input capacitance	C _{IN}	V _{IN} =0V	-	8	pF
Input/Output capacitance	C _{IO}	V _{IO} =0V	-	10	pF

1. Capacitance is sampled, not 100% tested

DC AND OPERATING CHARACTERISTICS

Item	Symbol	Test Conditions	Min	Typ	Max	Unit
Input leakage current	I _{LI}	V _{IN} =V _{SS} to V _{CC}	-1	-	1	μA
Output leakage current	I _{LO}	\overline{CS} =V _{IH} or \overline{OE} =V _{IH} or \overline{WE} =V _{IL} V _{IO} =V _{SS} to V _{CC}	-1	-	1	μA
Operating power supply current	I _{CC}	I _{IO} =0mA, \overline{CS} =V _{IL} , V _{IN} =V _{IL} or V _{IH} , Read	-	-	4	mA
Average operating current	I _{CC1}	Cycle time=1μs, 100% duty, I _{IO} =0mA \overline{CS} ≤0.2V, V _{IN} ≤0.2V or V _{IN} ≥V _{CC} -0.2V	-	-	4	mA
	I _{CC2}	Cycle time=Min, 100% duty, I _{IO} =0mA, \overline{CS} =V _{IL} , V _{IN} =V _{IH} or V _{IL}	-	-	30	mA
Output low voltage	V _{OL}	I _{OL} =2.1mA	-	-	0.4	V
Output high voltage	V _{OH}	I _{OH} =-1.0mA	2.2	-	-	V
Standby Current(TTL)	I _{SB}	\overline{CS} =V _{IH} , Other inputs = V _{IL} or V _{IH}	-	-	0.3	mA
Standby Current (CMOS)	I _{SB1}	\overline{CS} ≥V _{CC} -0.2V, Other inputs=0~V _{CC}	-	-	15 ¹⁾	μA

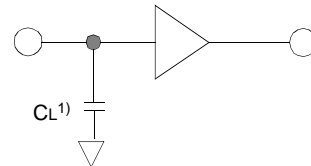
1. Industrial product = 20μA

AC OPERATING CONDITIONS

TEST CONDITIONS (Test Load and Input/Output Reference)

Input pulse level : 0.4 to 2.2V
 Input rising and falling time : 5ns
 Input and output reference voltage : 1.5V
 Output load(see right) : $C_L=100\text{pF}+1\text{TTL}$
 $C_L^{(1)}=30\text{pF}+1\text{TTL}$

1. 70ns product



1. Including scope and jig capacitance

AC CHARACTERISTICS

(KM68V4000C Family : $V_{CC}=3.0\sim 3.6\text{V}$, KM68U4000C Family : $V_{CC}=2.7\sim 3.3\text{V}$
 Commercial product : $T_A=0$ to 70°C , Industrial product : $T_A=-40$ to 85°C)

Parameter List		Symbol	Speed Bins						Units
			70ns		85ns		100ns		
			Min	Max	Min	Max	Min	Max	
Read	Read cycle time	t _{RC}	70	-	85	-	100	-	ns
	Address access time	t _{AA}	-	70	-	85	-	100	ns
	Chip select to output	t _{CO}	-	70	-	85	-	100	ns
	Output enable to valid output	t _{OE}	-	35	-	40	-	50	ns
	Chip select to low-Z output	t _{LZ}	10	-	10	-	10	-	ns
	Output enable to low-Z output	t _{OLZ}	5	-	5	-	5	-	ns
	Chip disable to high-Z output	t _{HZ}	0	25	0	25	0	30	ns
	Output disable to high-Z output	t _{OHZ}	0	25	0	25	0	30	ns
	Output hold from address change	t _{OH}	10	-	10	-	15	-	ns
Write	Write cycle time	t _{WC}	70	-	85	-	100	-	ns
	Chip select to end of write	t _{CW}	60	-	70	-	80	-	ns
	Address set-up time	t _{AS}	0	-	0	-	0	-	ns
	Address valid to end of write	t _{AW}	60	-	70	-	80	-	ns
	Write pulse width	t _{WP}	55	-	55	-	70	-	ns
	Write recovery time	t _{WR}	0	-	0	-	0	-	ns
	Write to output high-Z	t _{WHZ}	0	25	0	25	0	30	ns
	Data to write time overlap	t _{DW}	30	-	35	-	40	-	ns
	Data hold from write time	t _{DH}	0	-	0	-	0	-	ns
	End write to output low-Z	t _{OW}	5	-	5	-	5	-	ns

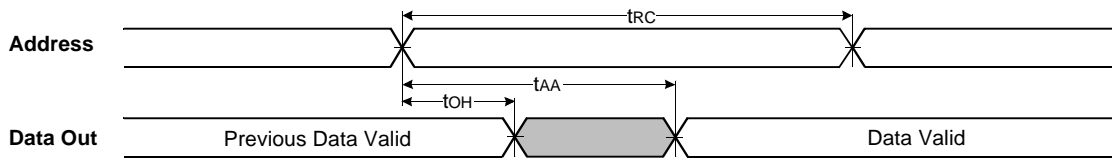
DATA RETENTION CHARACTERISTICS

Item	Symbol	Test Condition	Min	Typ	Max	Unit
V _{CC} for data retention	V _{DR}	$\overline{CS} \geq V_{CC}-0.2\text{V}$	2.0	-	3.6	V
Data retention current	I _{DR}	$V_{CC}=3.0\text{V}$, $\overline{CS} \geq V_{CC}-0.2\text{V}$	-	0.5	15 ¹⁾	μA
Data retention set-up time	t _{SDR}	See data retention waveform	0	-	-	ms
Recovery time	t _{RDR}		5	-	-	

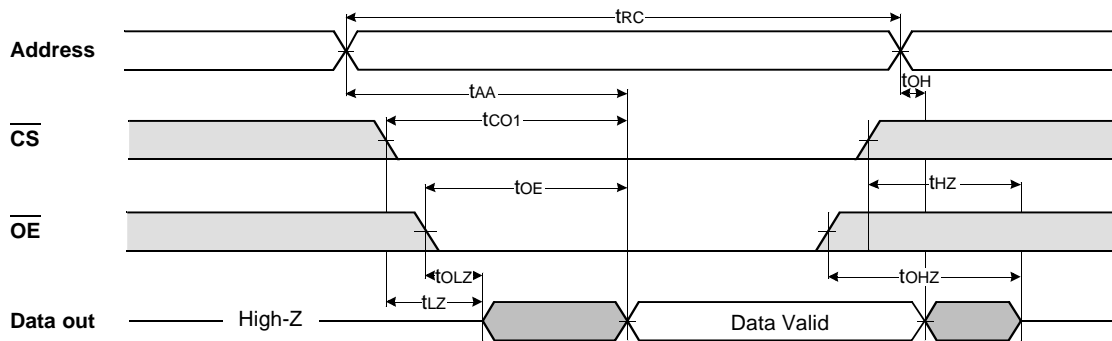
1. Industrial product = 20μA

TIMMING DIAGRAMS

TIMING WAVEFORM OF READ CYCLE(1) (Address Controlled, $\overline{CS}=\overline{OE}=V_{IL}$, $\overline{WE}=V_{IH}$)



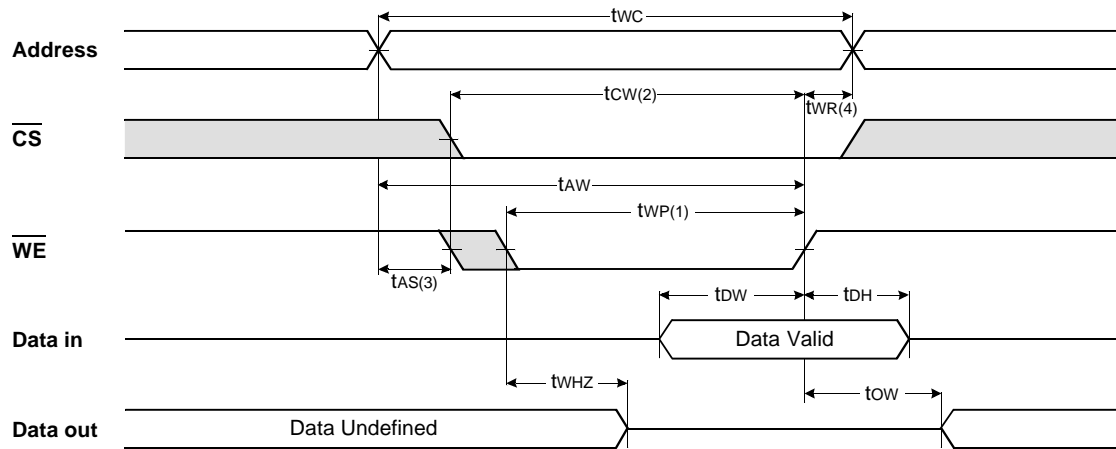
TIMING WAVEFORM OF READ CYCLE(2) ($\overline{WE}=V_{IH}$)



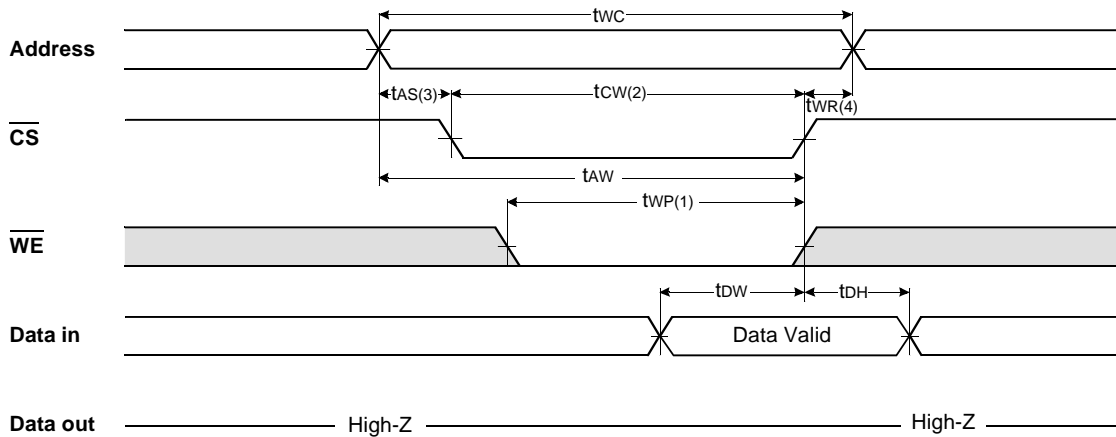
NOTES (READ CYCLE)

1. t_{HZ} and t_{OHZ} are defined as the time at which the outputs achieve the open circuit conditions and are not referenced to output voltage levels.
2. At any given temperature and voltage condition, $t_{HZ}(\text{Max.})$ is less than $t_{LZ}(\text{Min.})$ both for a given device and from device to device interconnection.

TIMING WAVEFORM OF WRITE CYCLE(1) (\overline{WE} Controlled)



TIMING WAVEFORM OF WRITE CYCLE(2) (\overline{CS} Controlled)

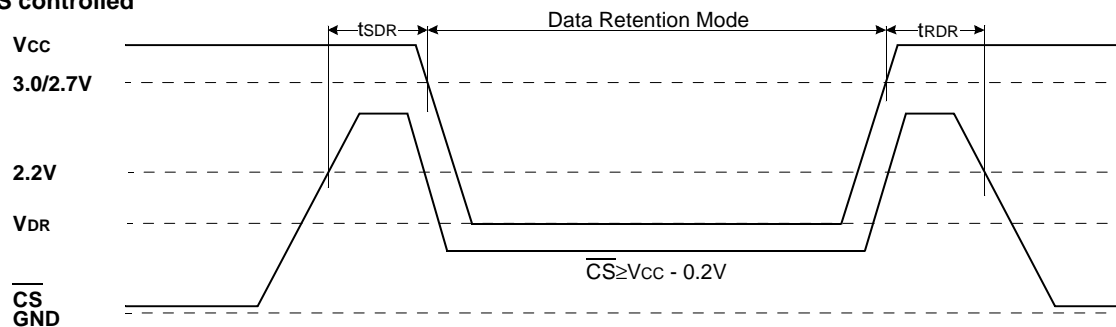


NOTES (WRITE CYCLE)

1. A write occurs during the overlap of a low \overline{CS} and a low \overline{WE} . A write begins at the latest transition among \overline{CS} going Low and \overline{WE} going low : A write end at the earliest transition among CS going high and WE going high, t_{WP} is measured from the beginning of write to the end of write.
2. t_{CW} is measured from the \overline{CS} going low to end of write.
3. t_{AS} is measured from the address valid to the beginning of write.
4. t_{WR} is measured from the end of write to the address change. t_{WR} applied in case a write ends as \overline{CS} or \overline{WE} going high.

DATA RETENTION WAVE FORM

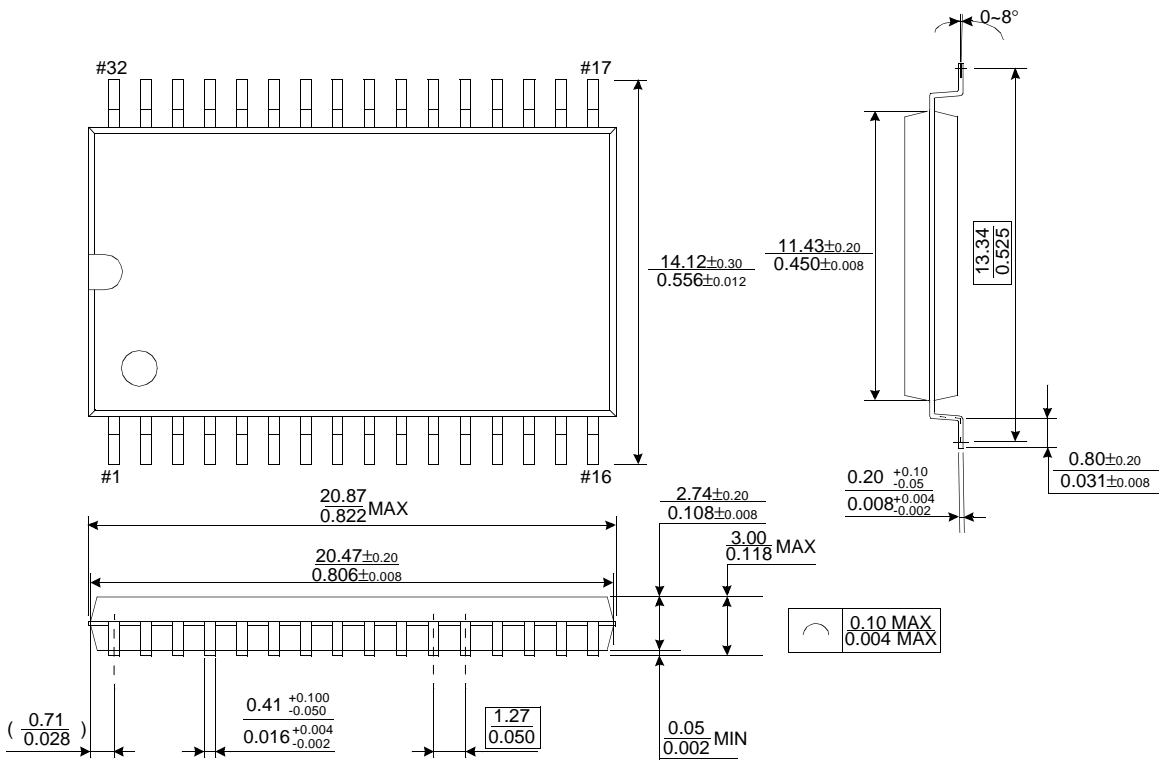
\overline{CS} controlled



PACKAGE DIMENSIONS

Units : millimeter(inch)

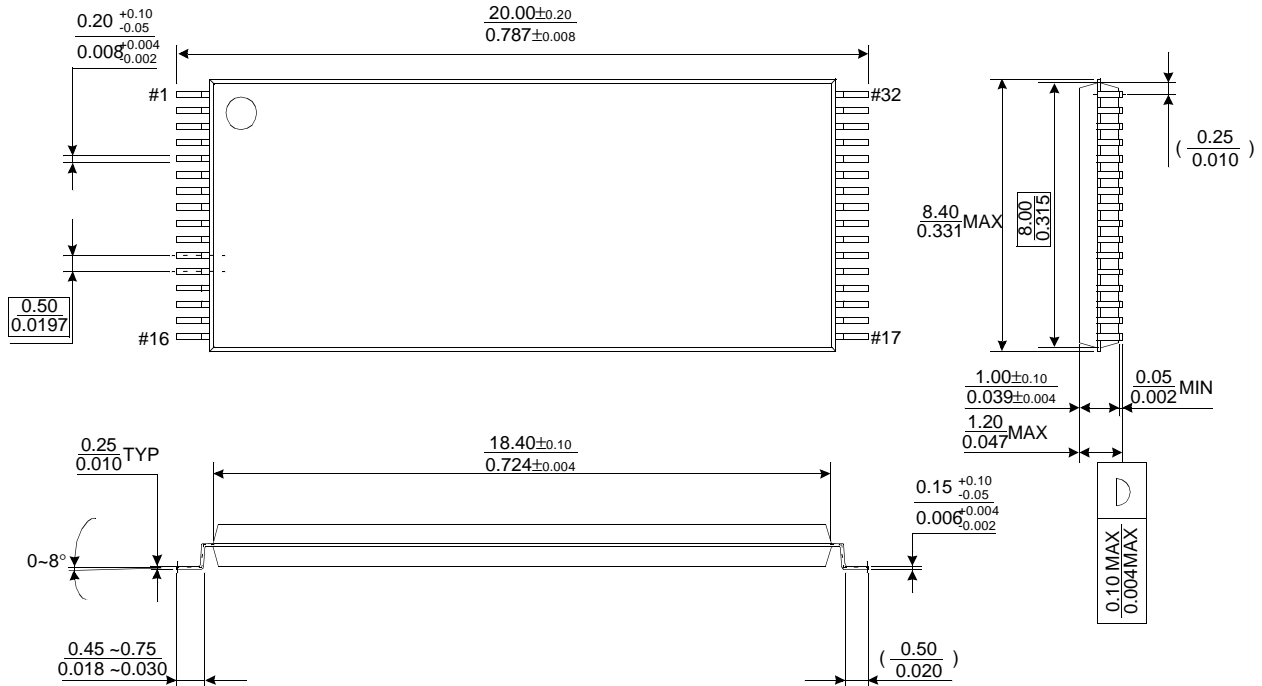
32 PIN PLASTIC SMALL OUTLINE PACKAGE (525mil)



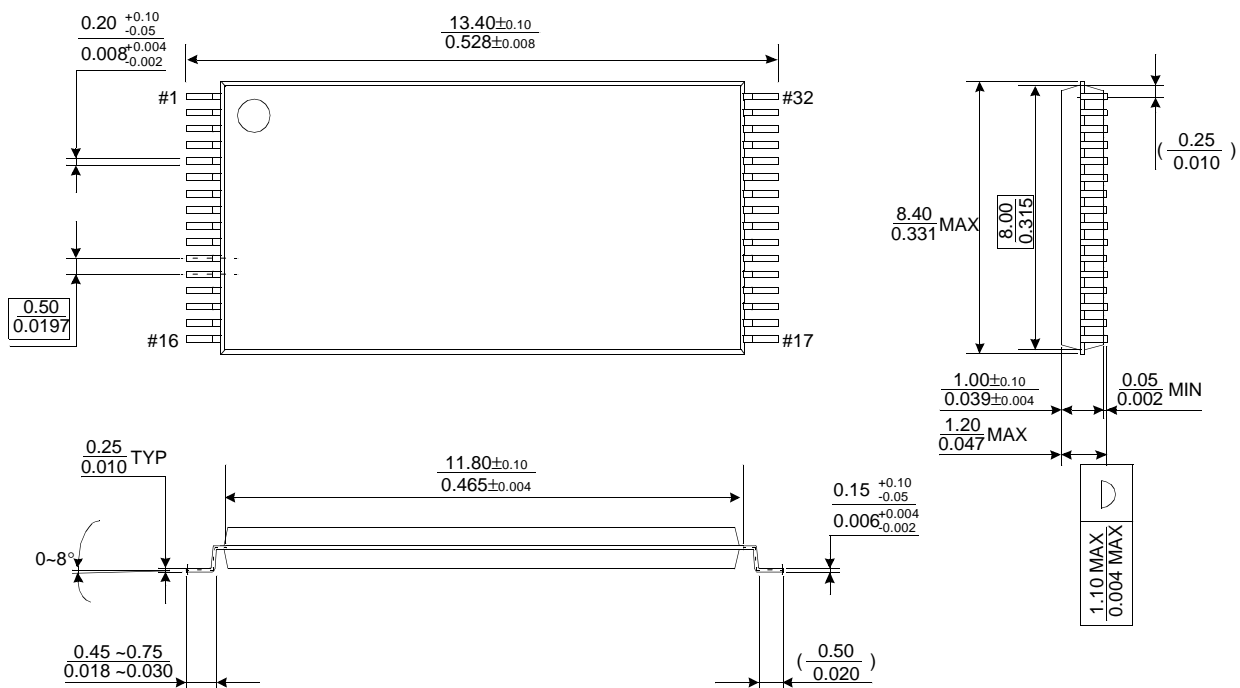
PACKAGE DIMENSIONS

Units : millimeter(inch)

32 PIN THIN SMALL OUTLINE PACKAGE TYPE I (0820F)



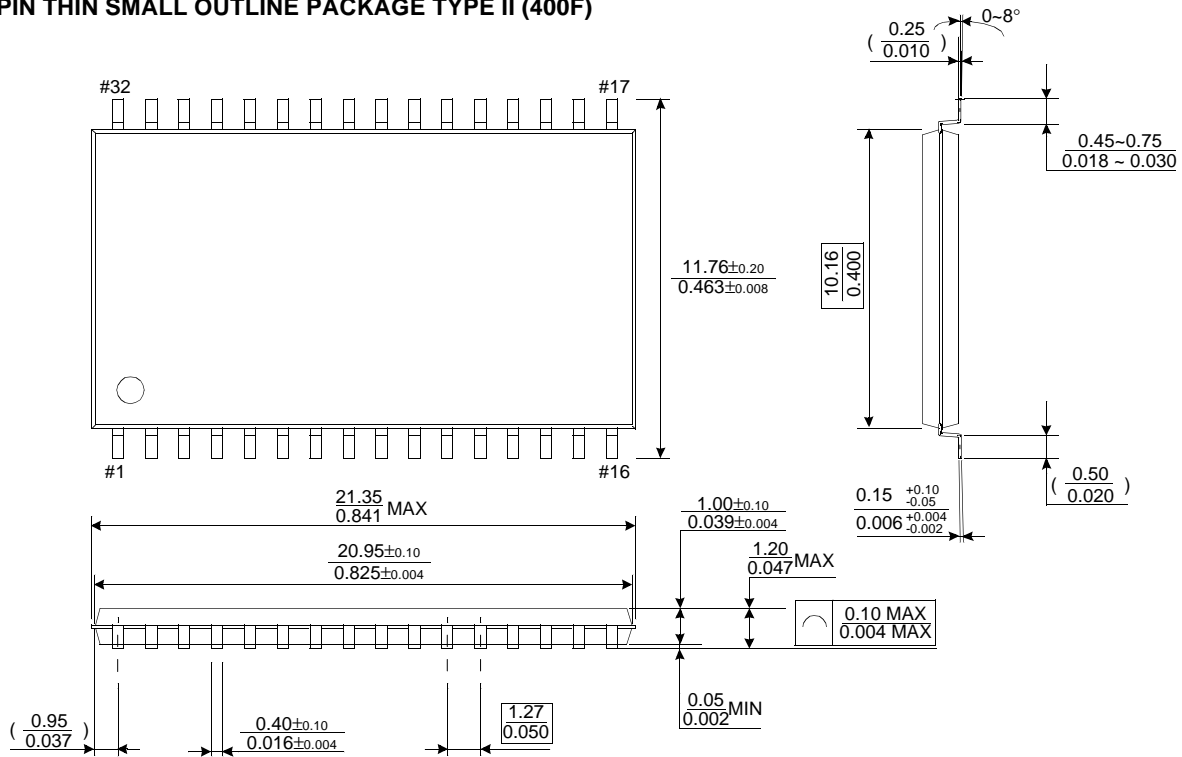
32 PIN SMALLER THIN SMALL OUTLINE PACKAGE TYPE I (0813.4F)



PACKAGE DIMENSIONS

Units : millimeter(inch)

32 PIN THIN SMALL OUTLINE PACKAGE TYPE II (400F)



32 PIN THIN SMALL OUTLINE PACKAGE TYPE II (400R)

