

Series: **F**

Electric Double Layer Capacitors
(Gold Capacitor)

Japan

■ Features

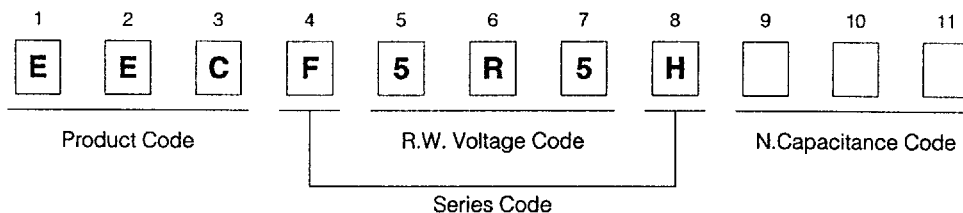
For CMOS memory back-up

- Life: 1000 hours at +85 °C
- Maximum height 9.5 mm

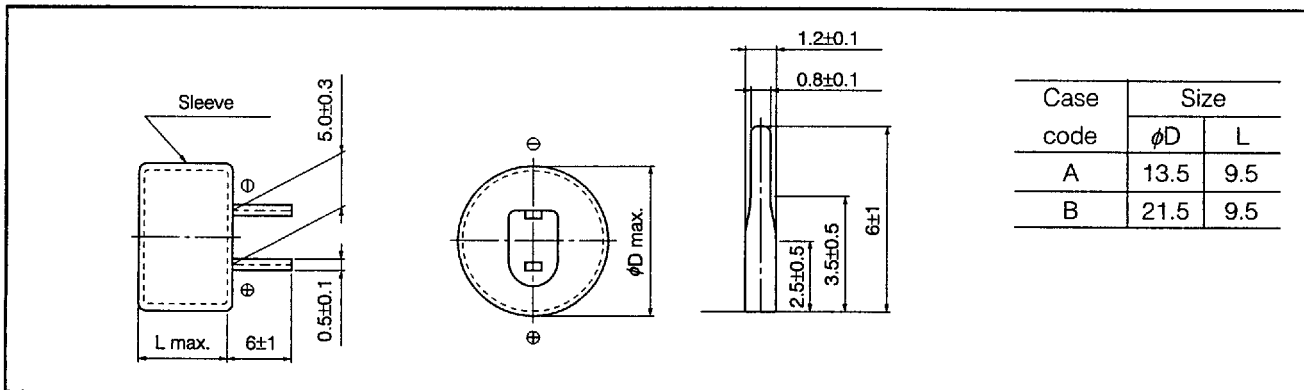
■ Specifications

Operating Temp. Range	-25 to +85 °C	
Rated Working Voltage	5.5 V.DC	
Nominal Cap. Range	0.033 to 0.1 F (A size), 0.47 to 0.68 F (B size)	
Capacitance Tolerance	+80 % -20 % (+20 °C)	
Characteristics at Low Temperature	Capacitance change	±30 % of initial measured value at +20 °C (-25 to +85 °C)
	Internal resistance	≤ 5 times of initial measured value at +20 °C (at -25 °C)
Endurance	After 1000 hours application of rated DC working voltage at +85 °C, the capacitor shall meet the following limits.	
	Capacitance change	±30 % of initial measured value
	Internal resistance	≤ 4 times of initial specified value
Shelf Life	After 1000 hours storage at +85 °C without load, the capacitor shall meet the specified limits for "Endurance".	
Moisture Resistance	After 500 hours storage at +55 °C, 90 to 95% R.H., the capacitor shall meet the specified limits for "Endurance".	

■ Explanation of Part Numbers



■ Dimensions in mm (not to scale)



■ Standard products

Rated W.V. (V. DC)	Capacitance (F)	Part number	Capacitance range (F)	Internal resistance (Ω) at 1 kHz	Case code
5.5	0.033	EECF5R5H333	0.0264 to 0.0594	≤150	A
	0.047	EECF5R5H473	0.0376 to 0.0846	≤120	A
	0.10	EECF5R5H104	0.080 to 0.180	≤100	A
	0.47	EECF5R5H474	0.376 to 0.846	≤ 75	B
	0.68	EECF5R5H684	0.476 to 1.224	≤ 50	B

■ Current characteristics

