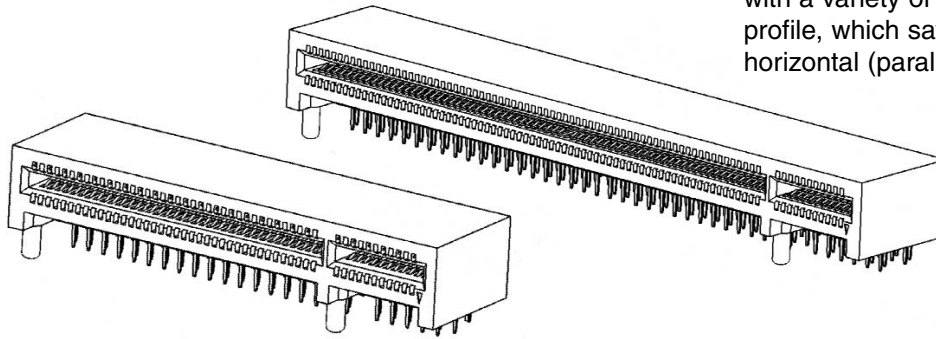


Right Angle PCI Express (PCIe) Card Edge Connectors

Meritec offers the following connectors in their PCIe Card Edge Connector family.

Right Angle x8 and x16 PCIe Connectors:
with a variety of stack heights offer a low profile, which saves space while allowing horizontal (parallel) PCIe card mounting.



All Meritec PCIe connector footprints are identical to the vertical mount versions for joint compatibility in the PCB design.

FEATURES and BENEFITS

1. Horizontal (parallel) PCI Express card mating
2. Meets all PCI Express local bus standards
3. Plastic cover protects PCIe connectors from dust and debris, and supports connector for hybrid soldering applications requiring convection/IR heating
4. Compliant board locating posts
5. Compatible with wave soldering process
6. Card mounting heights from .230" to .657" (see Layout and Selection Table)
7. Solves space problem in applications where card edge connector is needed and where low clearance above PCB prohibits use of vertical configurations
8. Insert molded using liquid crystal polymer for stability in hybrid board applications involving surface mount components
9. Offers PCB design flexibility
10. Designed to mate with .062" thick daughter card
11. RoHS compliant

For custom connector solutions or the name and location of your nearest Meritec Sales Representative, call 1-888-MERITEC (888-637-4832)



Where quality assures performance

SPECIFICATIONS

ELECTRICAL:

- Contact resistance – 40 milliohm (maximum)
- Dielectric withstanding voltage – 500 VAC (minimum) @ 60 Hz
- Current rating – 1.0 AMP (continuous)
- Insulation resistance – $>1 \times 10^9$ ohms @ 500 VDC

MECHANICAL:

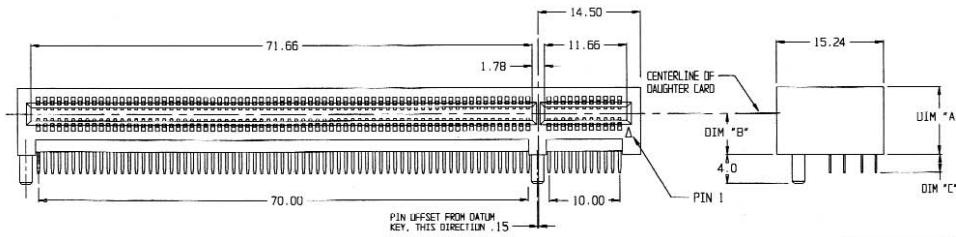
- Contact material – copper alloy
- Number of contacts
 - x8 – 98
 - x16 – 164
- Standard contact finish – selectively plated contact surface consists of gold flash over nickel
- Special order contact finish – specific gold plating thickness available upon request
- Solder tail finish – Palladium over nickel
- Insertion force – 150 grams maximum per opposing contact pair
- Normal force – 75 grams minimum per contact
- Dielectric material – glass filled liquid crystal polymer (black)

ENVIRONMENTAL:

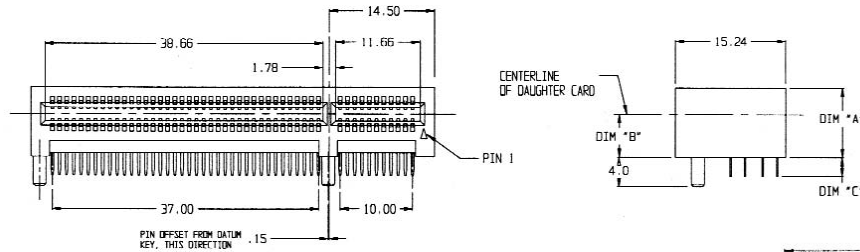
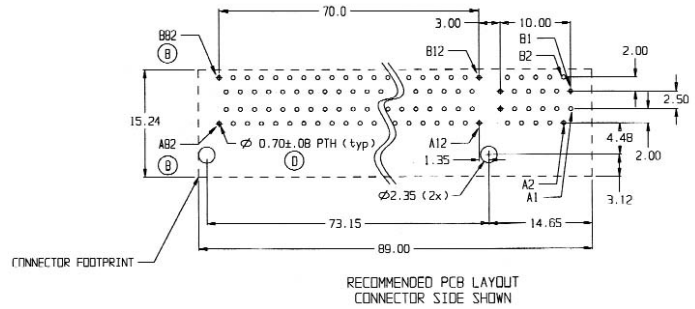
- Material – U.L. rated 94 V-0
- Temperature rating – -40°C to $+105^{\circ}\text{C}$

Right Angle PCI Express Connectors

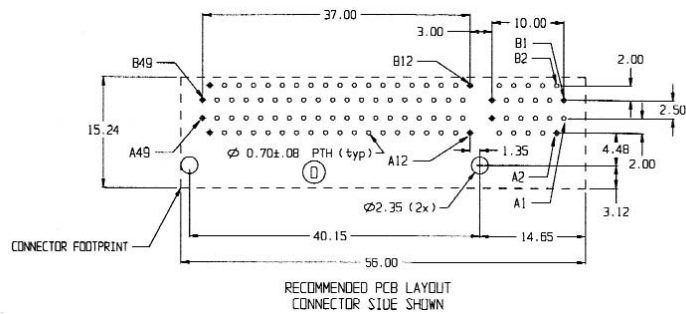
LAYOUT DRAWING ILLUSTRATED: RIGHT ANGLE x8 AND x16



PCIe x16 Card Edge
164 Positions



PCIe x8 Card Edge
98 Positions



SELECTION TABLE

DIM "A"	DIM "B"	DIM "C"	PART NUMBERS	
			x8	x16
.370	.230	.100	983171-098-2MPF	983171-164-2MPF
.370	.230	.125	983172-098-2MPF	983172-164-2MPF
.370	.230	.140	983173-098-2MPF	983173-164-2MPF
.580	.440	.100	98317G-098-2MPF	98317G-164-2MPF
.580	.440	.125	98317H-098-2MPF	98317H-164-2MPF
.580	.440	.140	98317J-098-2MPF	98317J-164-2MPF
.800	.657	.100	98317A-098-2MPF	98317A-164-2MPF
.800	.657	.125	98317B-098-2MPF	98317B-164-2MPF
.800	.657	.140	98317C-098-2MPF	98317C-164-2MPF