



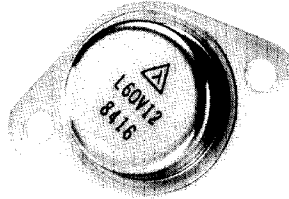
# COMPLETE OVERVOLTAGE PROTECTORS—L-OV SERIES

L-2-OV Series



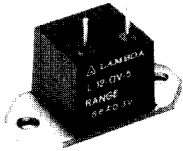
20 Amps Surge  
TO-66 Steel Package

L-6-OV Series



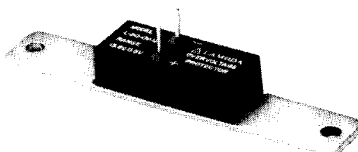
70 Amps Surge  
TO-3 Steel Package

L-12-OV Series



200 Amps Surge  
1 1/2" x 3/4" x 0.7" 1/2 oz  
38 x 19 x 18mm 15gm

L-20-OV, L-35-OV Series

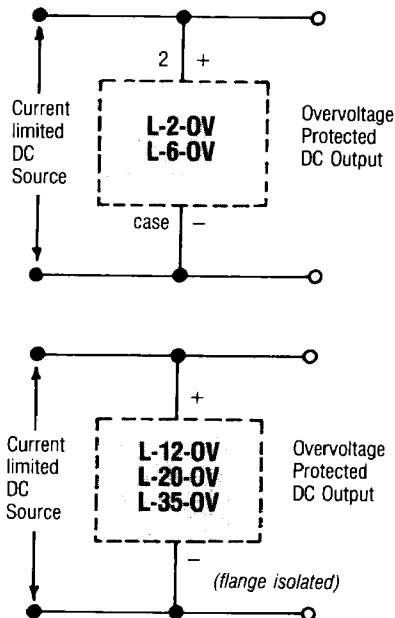


260 Amps Surge 350 Amps Surge  
3 13/32" x 5/8" x 0.6" 1 oz  
87 x 16 x 15mm 25gm

- Temperature compensated trip point
- 2, 6, 12, 20 & 35 Amps on state current ratings
- No additional components required
- Suitable for any current limited DC source

## DESCRIPTION

These complete overvoltage protectors provide essential protection for microprocessors and other energy sensitive loads which are driven from current limited DC power sources. These L-OV Series protectors require an external heatsink (often the power supply chassis) and may be simply connected across the output terminals of the DC source for total overvoltage protection. L-OV devices are resettable upon DC source switch off after the case temperature has fallen below 71°C. Storage batteries or other power sources should not be connected across this OV system.



## MAXIMUM RATINGS L-OV SERIES 20 & 70 AMPS SURGE

Parameter	Symbol	Conditions	L-2-OV	L-6-OV
On State Current	$I_{DC}$	$T_j, 0^\circ\text{C}-150^\circ\text{C}$	2 Amps	6 Amps
On State Voltage	$V_{DC}$	$T_j, 0^\circ\text{C}-150^\circ\text{C}$	2.6 Volts	2.6 Volts
Non Repetitive Peak Surge Current (8.3mSec sine)	$I_P$	$T_j, 25^\circ\text{C}$	20 Amps	70 Amps
Standby Current	$I_S$	$T_j, 25-100^\circ\text{C}$	35mA	35mA
Operating Temperature (non conducting)	$T_{CB}$	$T_{CASE}$	-40 to +100°C	-40 to +100°C
Operating Temperature (conducting)	$T_{CC}$	$T_{CASE}$	-40 to +124°C	-40 to +134°C
Power Dissipation	$P_D$		5.2 watts	15.6 watts
Thermal Resistance	$\theta_{JC}$		5°C/W	1°C/W
Derating L-2-OV			0.2W/°C above 124°C	—
Derating L-6-OV			—	1W/°C above 134°C

## MAXIMUM RATINGS L-OV SERIES 200, 260 & 350 AMPS SURGE

Parameter	Symbol	L-12-OV	L-20-OV	L-35-OV
On State Current	$I_{DC}$	12 Amps	20 Amps	35 Amps
On State Voltage	$V_{DC}$	1.6 Volts	1.75 Volts	2.0 Volts
Non Repetitive Peak Surge Current (1 to 8.3m Sec)	$I_P$	200 Amps	260 Amps	350 Amps
Standby Current	$I_S$	30mA	30mA	30mA
Case Operating Temperature (non conducting)	$T_{CB}$	-40 to +100°C	-40 to +100°C	-40 to +100°C
Case Operating Temperature (conducting)	$T_{CC}$	-40 to +140°C	-40 to +140°C	-40 to +140°C
Case Storage Temperature	$T_S$	-40 to +125°C	-40 to +125°C	-40 to +125°C

## DISTRIBUTION PRICING L-OV SERIES Fixed overvoltage protection modules

	Model	Trip Point Voltage* (Volts)	Nom. Supply Voltage (Volts)	Price				
				1-9	10-24	25-49	50-99	100+
2 Amps	L-2-OV-5	6.6 ± .2	5	3.10	3.10	2.90	3.75	2.40
	L-2-OV-12	13.7 ± .4	12	3.10	3.10	2.90	3.75	2.40
	L-2-OV-15	17.0 ± .5	15	3.10	3.10	2.90	3.75	2.40
	L-2-OV-24	27.3 ± .8	24	3.10	3.10	2.90	3.75	2.40
6 Amps	L-6-OV-5	6.6 ± .2	55	5.80	5.80	5.35	5.00	4.60
	L-6-OV-12	13.7 ± .4	12	5.80	5.80	5.35	5.00	4.60
	L-6-OV-15	17.0 ± .5	15	5.80	5.80	5.35	5.00	4.60
	L-6-OV-24	27.3 ± .8	24	5.80	5.80	5.35	5.00	4.60
12 Amps	L-12-OV-5	6.6 ± 0.3	5	21.00	21.00	19.40	17.75	15.30
	L-12-OV-6	7.4 ± 0.2	6	21.00	21.00	19.40	17.75	15.30
	L-12-OV-9	10.5 ± 0.5	9	21.00	21.00	19.40	17.75	15.30
	L-12-OV-12	13.5 ± 0.5	12	21.00	21.00	19.40	17.75	15.30
	L-12-OV-15	17.0 ± 0.5	15	21.00	21.00	19.40	17.75	15.30
	L-12-OV-20	22.8 ± 0.7	20	21.00	21.00	19.40	17.75	15.30
	L-12-OV-24	27.3 ± 0.8	24	21.00	21.00	19.40	17.75	15.30
	L-12-OV-28	31.9 ± 1.0	28	21.00	21.00	19.40	17.75	15.30
20 Amps	L-20-OV-5	6.6 ± 0.3	5	30.25	30.25	27.20	24.75	21.30
	L-20-OV-6	7.4 ± 0.2	6	30.25	30.25	27.20	24.75	21.30
	L-20-OV-9	10.5 ± 0.5	9	30.25	30.25	27.20	24.75	21.30
	L-20-OV-12	13.8 ± 0.5	12	30.25	30.25	27.20	24.75	21.30
	L-20-OV-15	17.0 ± 0.5	15	30.25	30.25	27.20	24.75	21.30
	L-20-OV-20	22.8 ± 0.7	20	30.25	30.25	27.20	24.75	21.30
	L-20-OV-24	27.3 ± 0.8	24	30.25	30.25	27.20	24.75	21.30
	L-20-OV-28	31.9 ± 1.0	28	30.25	30.25	27.20	24.75	21.30
35 Amps	L-35-OV-5	6.6 ± 0.3	5	33.50	33.50	34.60	32.25	28.00
	L-35-OV-6	7.4 ± 0.2	6	33.50	33.50	34.60	32.25	28.00
	L-35-OV-12	13.8 ± 0.5	12	33.50	33.50	34.60	32.25	28.00

\*Voltage tolerance maintained over 0 to 71°C.

To Place Orders and for higher quantity OEM pricing call  
1-800-255-9606

Copyright - all rights reserved. Specifications and prices are subject to change without notice. All prices are FOB Corpus Christi, Texas and do not include freight charges or federal, state and local taxes. Call 1-512-289-0403 for complete data sheets.