



MODULAR JACKS AND PLUGS: GMX Series

Right Angle Modular Jack, Low Profile

Product Features

- 0.45" Height
- Low Profile Design Suitable for PC Add-On Board Applications
- Snap in Board Retention Tabs
- Available in 4, 6, 8, and 10 Position Housings
- Available Fully Shielded for EMI/RFI Protection
- CSA/NRTL Certified File No. LR78160

Performance Specifications

Materials and Finish

Housing Material

PBT Thermoplastic, UL 94V-0 Rated, Black Color

Shield Material

Copper Alloy, Nickel Plated

Contact Material

Phosphor Bronze

Electrical Characteristics

Insulation Resistance

500 Megohms Min.

Dielectric Withstanding Voltage

1000V RMS, 60Hz

Contact Resistance

20 milliohms Max.

Current Rating

1.5A

Voltage Rating

125V DC

Operating Temperature

-40°C to +85°C

Durability

500 Mating Cycles Min.

2D Drawing	IGES	STEP	3D PDF
Solder Profile	CofC RoHS Compliant	CofC REACH Compliant	UL Plastic File
Certificate of Origin	Check Stock	Request a Sample	Send Us An Email

Generated Part Number

Part Number Builder

<input type="text"/>	-	<input type="text"/>	<input type="text"/>	<input type="text"/>	<input type="text"/>
Series		Shield Option	No. of Positions & Contacts	Keyed Options	Plating Options

Series

GMX - Right Angle, PCB Mount

Shield Options

N - Non-Shielded

S - Fully Shielded (Available with 6 -10 Positions)

S2 - Shielded with Grounding Tab (Available with only 8 Positions)

S7 - Shielded with Side & Top Grounding (Available with only 8 Positions)

Number of Positions / Contacts

44 - 4 Positions / 4 Contacts (only with N Option)

62 - 6 Positions / 2 Contacts

64 - 6 Positions / 4 Contacts

66 - 6 Positions / 6 Contacts

88 - 8 Positions / 8 Contacts

1010 - 10 Positions / 10 Contacts

Keyed Option

Blank - Not Keyed

K - Keyed (8 and 10 Positions Only)

Plating Option

Blank - Gold Flash

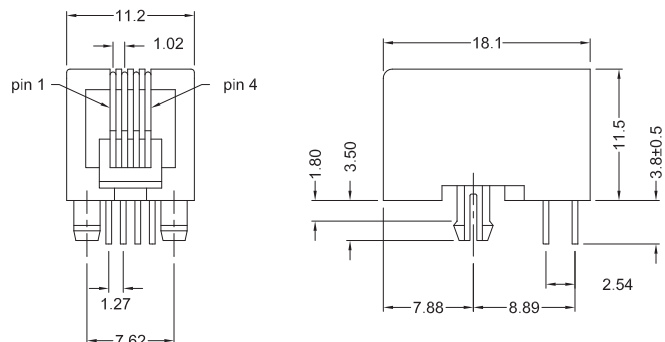
50 - 50µ" Gold Plating

Contact Kycon for Other Options

GMX Series

Dimensions in mm

GMX-N-44-x



Mouser Electronics

Authorized Distributor

Click to View Pricing, Inventory, Delivery & Lifecycle Information:

[Kycon:](#)

[GMX-S-64-50](#) [GMX-S-66-50](#) [GMX-N-66-50](#) [GMX-S-88](#) [GMX-S-64](#) [GMX-S-62](#) [GMX-S-66](#) [GMX-N-1010](#) [GMX-N-44-50](#) [GMX-N-88K-50](#) [GMX-S-1010](#) [GMX-N-88](#) [GMX-N-44](#) [GMX-N-66](#) [GMX-N-64](#) [GMX-S2-88](#) [GMX-S-1010-50](#) [GMX-N-64-50](#) [GMX-N-1010-50](#) [GMX-S-88-50](#) [GMX-N-62](#) [GMX-2-64-50](#) [GMX-S-1010K](#) [GMX-S7-88](#) [GMX-N-62-50](#) [GMX-N-88-50](#) [GMX-S-1010K-50](#) [GMX-S-62-50](#) [GMX-N-1010K-50](#) [GMX-N-88K](#) [GMX-S-88K](#) [GMX-S2-88-50](#) [GMX-2-66](#) [GMX-2-64](#) [GMX-N-1010K](#)