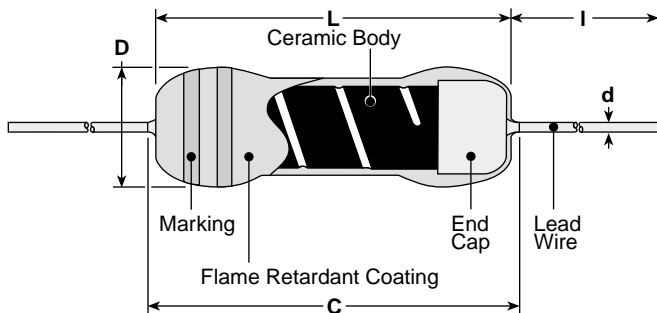


features

- Flameproof silicone coating (UL94V0)
- Suitable for automatic machine insertion
- High reliability for performance
- Marking: Blue-gray body color with color-coded bands
- Products with lead-free terminations meet RoHS requirements

dimensions and construction



Type	Dimensions inches (mm)				
	L	C (max.)	D	d (nom.)	I
MO1/2 MOX1/2	.354±.039 (9.0±1.0)	.437 (11.1)	.138±.02 (3.5±0.5)	.028 (0.7)	.945 Min. (24.0 Min.)
MO1 MOX1	.472±.039 (12.0±1.0)	.575 (14.5)	.157±.02 (4.0±0.5)		
MO2 MOX2	.610±.039 (15.5±1.0)	.709 (18.0)	.236±.039 (6.0±1.0)	.031 (0.8)	1.18±.118 (30.0±3.0)
MO3 MOX3	.965±.039 (24.5±1.0)	1.10 (28.0)	.354±.039 (9.0±1.0)		1.50±.118 (38.0±3.0)

ordering information

New Part #	MO	1	C	T52	A	473	J
Type	MO MOX	Power Rating	Termination Material	Taping and Forming	Packaging	Nominal Resistance	Tolerance
		1/2: 0.5W 1: 1W 2: 2W 3: 3W	C: SnCu (Other termination styles available, contact factory for options)	Axial: T52, T521, T631 Stand-off Axial: L52, L521, L631, L, U, M Forming	A: Ammo R: Reel	2 significant figures + 1 multiplier "R" indicates decimal on value <10Ω	G: ±2% J: ±5%

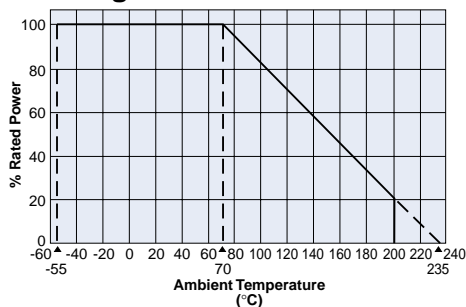
For further information on packaging, please refer to Appendix C.

applications and ratings

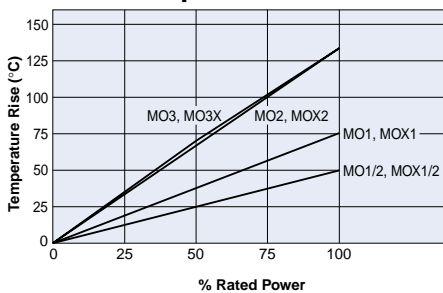
Part Designation	Power Rating @ 70°C	Minimum Dielectric Withstanding Voltage	T.C.R. (ppm/°C) Max.	Resistance Range E-24 (G±2%)	Resistance Range E-24 (J±5%)	Absolute Maximum Working Voltage	Absolute Maximum Overload Voltage	Operating Temperature Range
MO1/2	0.5W	400V	±200	10Ω - 47kΩ	10Ω - 47kΩ	250V	400V	-55°C to +200°C
MO1	1.0W	500V		10Ω - 100kΩ	10Ω - 120kΩ	350V	600V	
MO2	2.0W					500V	800V	
MO3	3.0W	500V		5.1Ω - 9.1Ω	0.2Ω - 9.1Ω	$E = \sqrt{P \times R}$	E x 2.5	
MOX1/2	0.5W							
MOX1	1.0W							
MOX2	2.0W							
MOX3	3.0W							

environmental applications

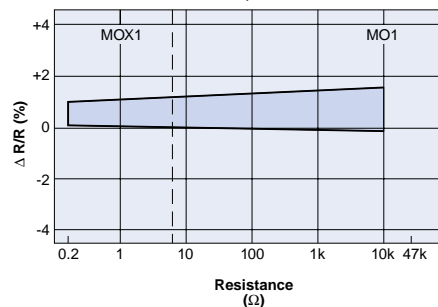
Derating Curve



Surface Temperature Rise



Load Life @ 70°C, 1000 Hr



Performance Characteristics

Parameter	Requirement
Temperature Coefficient	±200ppm/°C
Short Time Overload	±2.0%
Resistance to Solder Heat	±1.0%
Moisture Resistance	
Load Life	±5.0%
Temperature Cycling	
Vibration	±1.0%
Shock	
Terminal Strength (Lead Pull)	5 # Minimum
Current Noise	<0.1μv/v/decade
Voltage Coefficient	<20ppm/v
Low Temperature Operation	±1.0%