

025 CONNECTORS

Crimp Housing and Contacts



A range of single and double row crimp housings that accept contact shown below. Used with pin headers shown on pages 11 to 17.

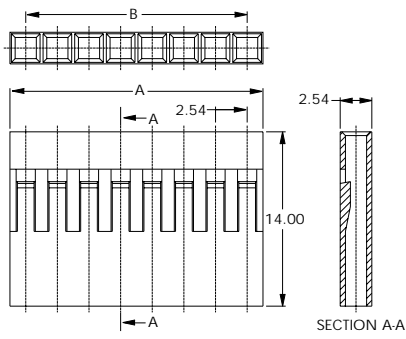
Polarising Key

Polarising key latches into moulding in place of contact.
Material: Brass, tin/lead plated.

Order Code M20-003

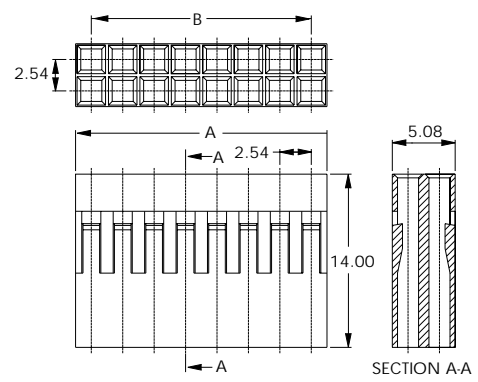
- Up to 12 way single row, 12+12 way double row.
- Tapered entry for pin insertion.
- Contacts available on reels or loose.
- Polarisation with a separate key.
- Rear removable contacts.
- For crimp machines and hand tools see page 23.
- Wire to board application.
- For larger sizes, please contact Technical Sales.

SINGLE ROW



No. of Ways	A	B	Order Code
2	5.28	2.54	M20-1060200
3	7.82	5.08	M20-1060300
4	10.36	7.62	M20-1060400
5	12.90	10.16	M20-1060500
6	15.44	12.70	M20-1060600
7	17.98	15.24	M20-1060700
8	20.52	17.78	M20-1060800
9	23.06	20.32	M20-1060900
10	25.60	22.86	M20-1061000
11	28.14	25.40	M20-1061100
12	30.68	27.94	M20-1061200

DOUBLE ROW

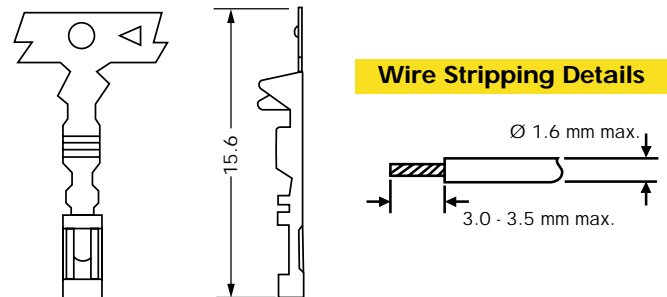


No. of Ways	A	B	Order Code
2+2	5.28	2.54	M20-1070200
3+3	7.82	5.08	M20-1070300
4+4	10.36	7.62	M20-1070400
5+5	12.90	10.16	M20-1070500
6+6	15.44	12.70	M20-1070600
7+7	17.98	15.24	M20-1070700
8+8	20.52	17.78	M20-1070800
9+9	23.06	20.32	M20-1070900
10+10	25.60	22.86	M20-1071000
11+11	28.14	25.40	M20-1071100
12+12	30.68	27.94	M20-1071200

CONTACTS

Finish	Wire Gauge	Order Code	Order Code
		Loose Contacts	Reeled Contacts
Selective Gold	22-30 AWG	M20-1180022	M20-1160022
Tin	22-30 AWG	M20-1180006	M20-1160006

- Order codes for reeled contacts refer to one reel of 10,000 contacts.
- Order codes for loose contacts refer to one pack of 100 contacts.



North/South America
Tel: +1 812 285 0055
E-mail: mis@harwin.com

Europe/Middle East
Tel: +44 (0) 23 9237 0451
E-mail: mis@harwin.co.uk

Asia/Pacific
Tel: +65 779 4909
E-mail: mis@harwin.com.sg

