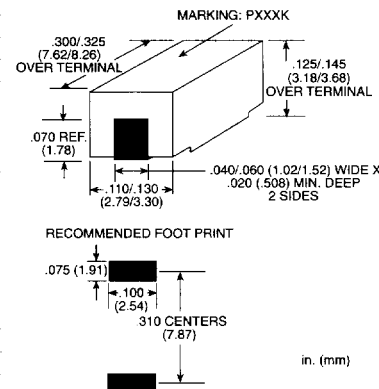


SMP3013 SMT Power Inductors



PART NUMBER	L μ H \pm 10% @ I kHz	DCR MAX	SATURATION CURRENT* DC AMPS	CURRENT RATING** DC AMPS
SMP3013-101K	1.0	.030	4.6	2.78
SMP3013-121K	1.2	.032	4.2	2.69
SMP3013-151K	1.5	.056	3.6	2.03
SMP3013-181K	1.8	.061	3.4	1.95
SMP3013-221K	2.2	.083	3.0	1.69
SMP3013-271K	2.7	.096	2.6	1.55
SMP3013-331K	3.3	.109	2.4	1.46
SMP3013-391K	3.9	.120	2.2	1.39
SMP3013-471K	4.7	.131	2.0	1.33
SMP3013-561K	5.6	.194	1.8	1.10
SMP3013-681K	6.8	.198	1.6	1.08
SMP3013-821K	8.2	.221	1.5	1.02
SMP3013-102K	10	.258	1.4	.946
SMP3013-122K	12	.278	1.2	.912
SMP3013-152K	15	.314	1.1	.858
SMP3013-182K	18	.346	1.0	.817
SMP3013-222K	22	.480	.980	.694
SMP3013-272K	27	.535	.860	.657
SMP3013-332K	33	.715	.780	.568
SMP3013-392K	39	.970	.680	.488
SMP3013-472K	47	1.06	.660	.467
SMP3013-562K	56	1.18	.580	.442
SMP3013-682K	68	1.57	.520	.384
SMP3013-822K	82	1.76	.470	.362
SMP3013-103K	100	1.92	.450	.347
SMP3013-123K	120	2.16	.400	.327
SMP3013-153K	150	3.12	.360	.272
SMP3013-183K	180	3.38	.330	.261
SMP3013-223K	220	4.66	.290	.223
SMP3013-273K	270	6.36	.270	.191
SMP3013-333K	330	7.20	.235	.179
SMP3013-393K	390	7.92	.210	.171
SMP3013-473K	470	8.90	.200	.161
SMP3013-563K	560	12.1	.185	.138
SMP3013-683K	680	13.7	.170	.130
SMP3013-823K	820	18.2	.150	.113
SMP3013-104K	1000	20.9	.130	.105



NOTES:

- Operating temperature -55°C to +125°C
- Core material is high resistance nickel zinc ferrite
- *Saturation current is the approximate value that will reduce the initial inductance by 5%
- **Rated current is based on a 40°C temperature rise at an ambient temperature of 85°C.

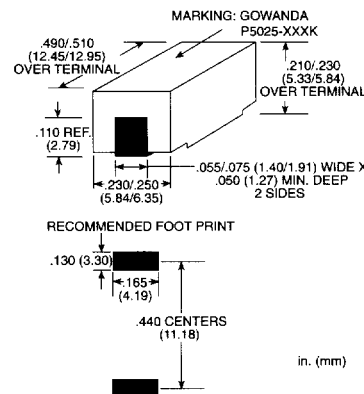
TAPE AND REEL SPECS:

PCS/Reel maximum:	2200
Pitch between parts:	8 mm
Tape width:	16 mm
Reel diameter inches:	13

SMP5025 SMT Power Inductors



PART NUMBER	L μ H \pm 10% @ I kHz	DCR MAX	SATURATION CURRENT* DC AMPS	CURRENT RATING** DC AMPS
SMP5025-101K	1.0	.015	7.40	5.10
SMP5025-121K	1.2	.017	6.40	4.80
SMP5025-151K	1.5	.020	6.00	4.42
SMP5025-181K	1.8	.023	5.60	4.12
SMP5025-221K	2.2	.029	5.20	3.67
SMP5025-271K	2.7	.030	4.60	3.61
SMP5025-331K	3.3	.035	4.00	3.34
SMP5025-391K	3.9	.038	3.80	3.20
SMP5025-471K	4.7	.043	3.60	3.00
SMP5025-561K	5.6	.046	3.20	2.91
SMP5025-681K	6.8	.053	2.80	2.71
SMP5025-821K	8.2	.058	2.70	2.59
SMP5025-102K	10	.071	2.40	2.34
SMP5025-122K	12	.079	2.20	2.22
SMP5025-152K	15	.089	2.00	2.09
SMP5025-182K	18	.109	1.80	1.89
SMP5025-222K	22	.150	1.60	1.61
SMP5025-272K	27	.170	1.50	1.51
SMP5025-332K	33	.222	1.40	1.33
SMP5025-392K	39	.250	1.20	1.25
SMP5025-472K	47	.330	1.10	1.09
SMP5025-562K	56	.370	1.00	1.03
SMP5025-682K	68	.418	.960	.966
SMP5025-822K	82	.468	.900	.913
SMP5025-103K	100	.620	.800	.793
SMP5025-123K	120	.684	.700	.755
SMP5025-153K	150	.900	.620	.658
SMP5025-183K	180	1.04	.560	.612



NOTES:

- Operating temperature -55°C to +125°C
- Core material is high resistance nickel zinc ferrite
- *Saturation current is the approximate value that will reduce the initial inductance by 5%
- **Rated current is based on a 40°C temperature rise at an ambient temperature of 85°C.

SMP5025 - continued

PART NUMBER	L μ H \pm 10% @1 kHz	DCR MAX	SATURATION CURRENT* DC AMPS	CURRENT RATING** DC AMPS
SMP5025-223K	220	1.16	.520	.580
SMP5025-273K	270	1.63	.450	.489
SMP5025-333K	330	1.82	.410	.463
SMP5025-393K	390	2.05	.390	.436
SMP5025-473K	470	2.70	.360	.380
SMP5025-563K	560	2.80	.330	.373
SMP5025-683K	680	4.10	.290	.308
SMP5025-823K	820	4.70	.260	.288
SMP5025-104K	1000	5.40	.245	.269
SMP5025-124K	1200	8.30	.220	.218
SMP5025-154K	1500	9.40	.200	.204
SMP5025-184K	1800	11.0	.190	.188
SMP5025-224K	2200	12.0	.160	.180
SMP5025-274K	2700	16.0	.150	.156
SMP5025-334K	3300	17.0	.140	.151
SMP5025-394K	3900	21.0	.130	.136
SMP5025-474K	4700	25.0	.120	.125
SMP5025-564K	5600	30.0	.110	.114
SMP5025-684K	6800	49.0	.094	.089
SMP5025-824K	8200	55.0	.088	.084
SMP5025-105K	10000	62.0	.080	.079

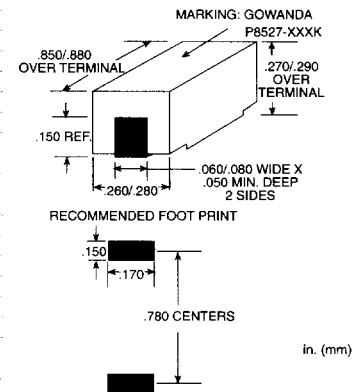
TAPE AND REEL SPECS:

PCS/Reel maximum:	2200
Pitch between parts:	12 mm
Tape width:	24 mm
Reel diameter inches:	13

SMP8527 SMT Power Inductors



PART NUMBER	L μ H \pm 10% @1 kHz	DCR MAX	SATURATION CURRENT* DC AMPS	CURRENT RATING** DC AMPS
SMP8527-101K	1.0	.011	10.0	6.68
SMP8527-121K	1.2	.012	8.4	6.40
SMP8527-151K	1.5	.013	8.2	6.15
SMP8527-181K	1.8	.014	6.8	5.92
SMP8527-221K	2.2	.016	6.4	5.54
SMP8527-271K	2.7	.017	5.8	5.37
SMP8527-331K	3.3	.018	5.4	5.22
SMP8527-391K	3.9	.020	4.8	4.95
SMP8527-471K	4.7	.024	4.2	4.52
SMP8527-561K	5.6	.026	3.8	4.35
SMP8527-681K	6.8	.034	3.4	3.80
SMP8527-821K	8.2	.037	3.2	3.64
SMP8527-102K	10	.043	3.0	3.38
SMP8527-122K	12	.048	2.8	3.20
SMP8527-152K	15	.049	2.6	3.17
SMP8527-182K	18	.054	2.2	3.02
SMP8527-222K	22	.059	2.0	2.88
SMP8527-272K	27	.070	1.8	2.65
SMP8527-332K	33	.077	1.8	2.53
SMP8527-392K	39	.084	1.6	2.42
SMP8527-472K	47	.101	1.4	2.20
SMP8527-562K	56	.113	1.4	2.08
SMP8527-682K	68	.145	1.2	1.84
SMP8527-822K	82	.173	1.2	1.68
SMP8527-103K	100	.208	1.00	1.54
SMP8527-123K	120	.283	.960	1.32
SMP8527-153K	150	.414	.860	1.10
SMP8527-183K	180	.468	.800	1.02
SMP8527-223K	220	.505	.680	.990
SMP8527-273K	270	.620	.620	.890
SMP8527-333K	330	.720	.600	.826
SMP8527-393K	390	.770	.540	.799
SMP8527-473K	470	1.00	.500	.700
SMP8527-563K	560	1.27	.500	.620
SMP8527-683K	680	1.50	.450	.570
SMP8527-823K	820	1.96	.420	.500
SMP8527-104K	1000	2.28	.360	.460
SMP8527-124K	1200	2.52	.320	.440
SMP8527-154K	1500	3.49	.280	.380
SMP8527-184K	1800	3.89	.260	.360
SMP8527-224K	2200	4.40	.240	.330
SMP8527-274K	2700	5.78	.200	.290
SMP8527-334K	3300	7.51	.180	.260
SMP8527-394K	3900	8.44	.170	.240
SMP8527-474K	4700	9.56	.150	.230
SMP8527-564K	5600	13.2	.140	.190
SMP8527-684K	6800	15.0	.130	.180
SMP8527-824K	8200	17.0	.120	.170
SMP8527-105K	10000	22.8	.100	.150



NOTES:

- Operating temperature -55°C to +125°C
- Core material is high resistance nickel zinc ferrite
- *Saturation current is the approximate value that will reduce the initial inductance by 5%
- **Rated current is based on a 40°C temperature rise at an ambient temperature of 85°C.

TAPE AND REEL SPECS:

PCS/Reel maximum:	480
Pitch between parts:	16 mm
Tape width:	44 mm
Reel diameter inches:	13