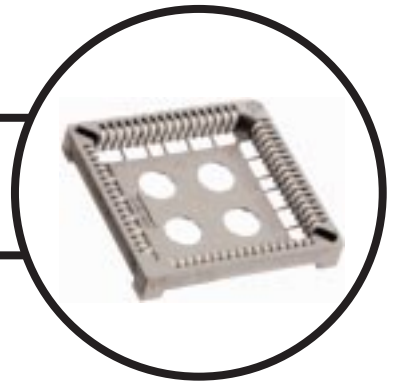
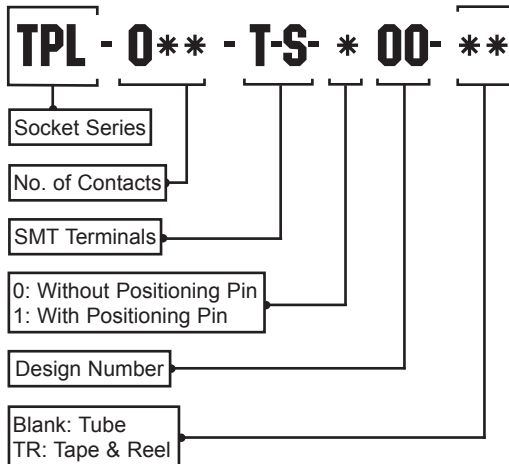


## TPL Series



### Ordering Information



#### Characteristics

Current Rating:	1A
Insulation Resistance:	10,000MΩ Minimum at 500 VDC
Withstanding Voltage:	1000 VAC for 1 minute
Contact Resistance:	15mΩ Max. at 10mA/20mV
Operating Temperature:	-55°C ~ +105°C
Mating Cycles:	50 Insertions

#### Materials and Finish

Insulator:	High Temp Thermoplastic-UL94V-0
Contact:	Copper Alloy
Plating:	Contacts: SnPb over Ni Terminals: SnPb over Ni
Accessories:	Extraction Tool (see page 41)

### Features

1. 4.45mm profile (32 pin 4.27mm profile).
2. Houses JEDEC standard packages.

### Socket Dimensions (Reference Only)

Part Number	Contacts	Pitch	A	B	C	D	E	F	G	H
TPL-020-T-S-*00	20	1.27mm	14.86 (0.585)	14.86 (0.585)	5.08 (0.200)	5.08 (0.200)	12.70 (0.500)	10.03 (0.394)	10.03 (0.394)	4.45
TPL-028-T-S-*00	28	1.27mm	17.40 (0.685)	17.40 (0.685)	7.62 (0.300)	7.62 (0.300)	15.24 (0.600)	12.57 (0.494)	12.57 (0.494)	4.45
TPL-032-T-S-*00	32	1.27mm	19.45 (0.765)	16.90 (0.665)	10.16 (0.400)	7.62 (0.300)	17.78 (0.700)	15.11 (0.594)	12.57 (0.494)	4.27*
TPL-044-T-S-*00	44	1.27mm	22.48 (0.885)	22.48 (0.885)	12.70 (0.500)	12.70 (0.500)	20.32 (0.800)	17.65 (0.694)	17.65 (0.694)	4.45
TPL-052-T-S-*00	52	1.27mm	25.40 (1.000)	25.40 (1.000)	15.24 (0.600)	15.24 (0.600)	22.86 (0.900)	20.19 (0.794)	20.19 (0.794)	4.45
TPL-068-T-S-*00	68	1.27mm	30.54 (1.202)	30.54 (1.202)	20.32 (0.800)	20.32 (0.800)	27.94 (1.100)	25.27 (0.994)	25.27 (0.994)	4.45
TPL-084-T-S-*00	84	1.27mm	35.56 (1.400)	35.56 (1.400)	25.40 (1.000)	25.40 (1.000)	33.02 (1.300)	30.35 (1.194)	30.35 (1.194)	4.45

\* Very Low Profile

### IC Dimensions (Reference Only)

Contacts	Pitch	A	B	C	D	E	Part Number
20	1.27mm	9.78 - 10.03	8.89 - 9.04	9.78 - 10.03	8.89 - 9.04	4.20 - 4.57	TPL-020-T-S-*00
28	1.27mm	12.32 - 12.57	11.43 - 11.58	12.32 - 12.57	11.43 - 11.58	4.20 - 4.57	TPL-028-T-S-*00
32	1.27mm	14.86 - 15.11	13.90 - 14.04	12.32 - 12.57	11.36 - 11.50	3.18 - 3.55	TPL-032-T-S-*00
44	1.27mm	17.40 - 17.65	16.51 - 16.66	17.40 - 17.65	16.51 - 16.66	4.20 - 4.57	TPL-044-T-S-*00
52	1.27mm	19.94 - 20.19	19.05 - 19.20	19.94 - 20.19	19.05 - 19.20	4.20 - 5.08	TPL-052-T-S-*00
68	1.27mm	25.02 - 25.27	24.13 - 24.33	25.02 - 25.27	24.13 - 24.33	4.20 - 5.08	TPL-068-T-S-*00
84	1.27mm	30.10 - 30.35	29.21 - 29.41	30.10 - 30.35	29.21 - 29.41	4.20 - 5.08	TPL-084-T-S-*00

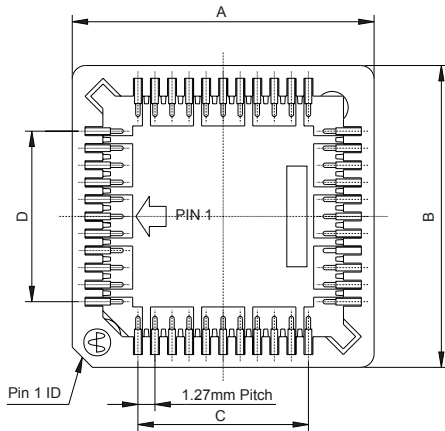
# APPLICABLE DIMENSIONS

(Reference Only)

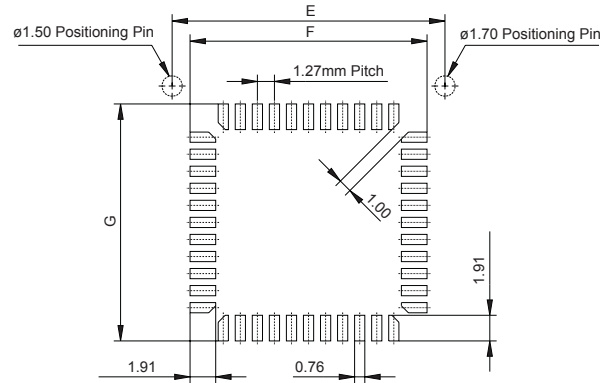
PLCC Low Profile SMT

# TPL Series

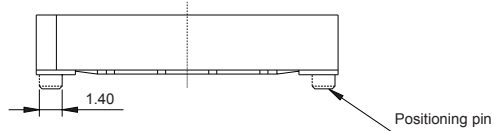
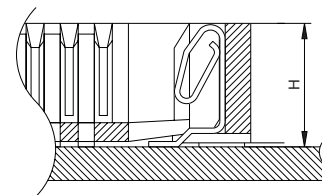
## Socket Outline Dimensions



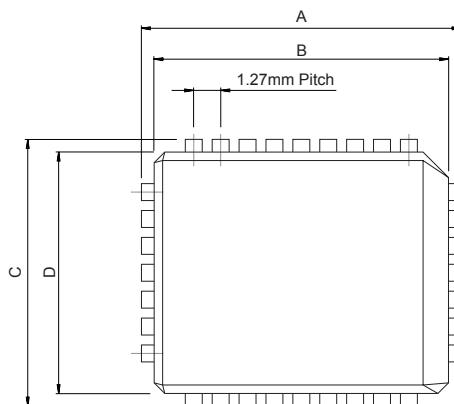
## PCB Layout



## Contact Detail

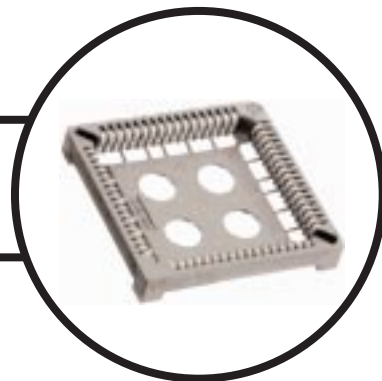


## IC Outline Dimensions

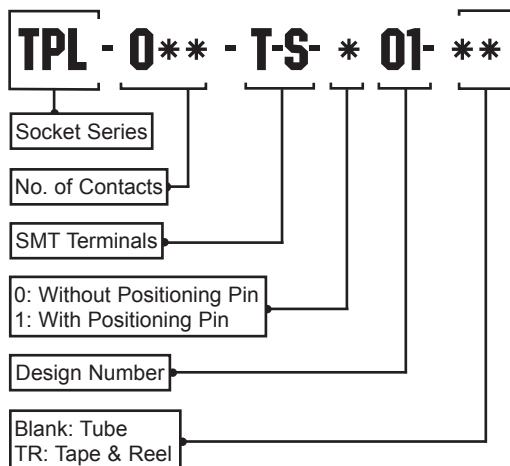


Sockets

## TPL Series



### Ordering Information



#### Characteristics

Current Rating:	1A
Insulation Resistance:	10,000MΩ Minimum at 500 VDC
Withstanding Voltage:	1000 VAC for 1 minute
Contact Resistance:	15mΩ Max. at 10mA/20mV
Operating Temperature:	-55°C ~ +105°C
Mating Cycles:	50 Insertions

#### Materials and Finish

Insulator:	High Temp Thermoplastic-UL94V-0
Contact:	Copper Alloy
Plating:	Contacts: SnPb over Ni Terminals: SnPb over Ni
Accessories:	Extraction Tool (see page 41)

### Features

- Standoffs prevent shorting and allow easier cleaning.
- Houses JEDEC standard packages.

### Socket Dimensions (Reference Only)

Part Number	Contacts	Pitch	A	B	C	D	E	F	G	H
TPL-020-T-S* 01	20	1.27mm	15.66	15.66	5.08	5.08	12.70	10.03	10.03	4.64
TPL-028-T-S* 01	28	1.27mm	18.20	18.20	7.62	7.62	15.24	12.57	12.57	4.64
TPL-032-T-S* 01	32	1.27mm	18.20	20.74	7.62	10.16	17.78	12.57	15.11	4.64
TPL-044-T-S* 01	44	1.27mm	23.28	23.28	12.70	12.70	20.32	17.65	17.65	4.64
TPL-052-T-S* 01	52	1.27mm	25.82	25.82	15.24	15.24	22.86	20.19	20.19	4.64
TPL-068-T-S* 01	68	1.27mm	30.90	30.90	30.32	30.32	27.94	25.27	25.27	4.64
TPL-084-T-S* 01	84	1.27mm	35.98	35.98	25.40	25.40	33.02	30.35	30.35	4.64

### IC Dimensions (Reference Only)

Contacts	Pitch	A	B	C	D	E	Part Number
20	1.27mm	9.78 ~ 10.03	8.89 ~ 9.05	9.78 ~ 10.03	8.89 ~ 9.04	4.20 ~ 4.57	TPL-020-T-S* 01
28	1.27mm	12.32 ~ 12.57	11.43 ~ 11.58	12.32 ~ 12.57	11.43 ~ 11.58	4.20 ~ 4.57	TPL-028-T-S* 01
32	1.27mm	14.86 ~ 15.11	13.90 ~ 14.04	12.32 ~ 12.57	11.36 ~ 11.50	3.18 ~ 3.55	TPL-032-T-S* 01
44	1.27mm	17.40 ~ 17.65	16.51 ~ 16.66	17.40 ~ 17.65	16.51 ~ 16.66	4.20 ~ 4.57	TPL-044-T-S* 01
52	1.27mm	19.94 ~ 20.19	19.05 ~ 19.20	19.94 ~ 20.19	19.05 ~ 19.20	4.20 ~ 5.08	TPL-052-T-S* 01
68	1.27mm	25.02 ~ 25.27	24.13 ~ 24.33	25.02 ~ 25.27	24.13 ~ 24.33	4.20 ~ 5.08	TPL-068-T-S* 01
84	1.27mm	30.10 ~ 30.35	29.21 ~ 29.41	30.10 ~ 30.35	29.21 ~ 29.41	4.20 ~ 5.08	TPL-084-T-S* 01

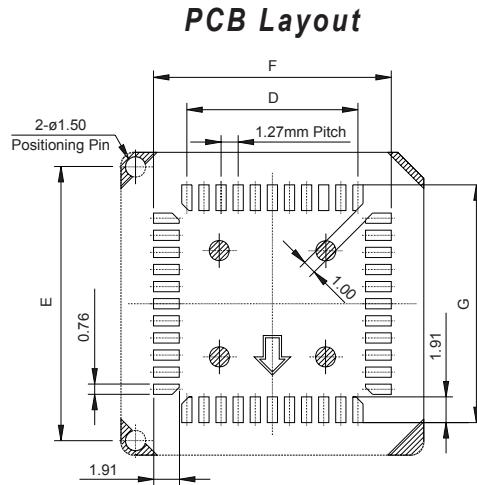
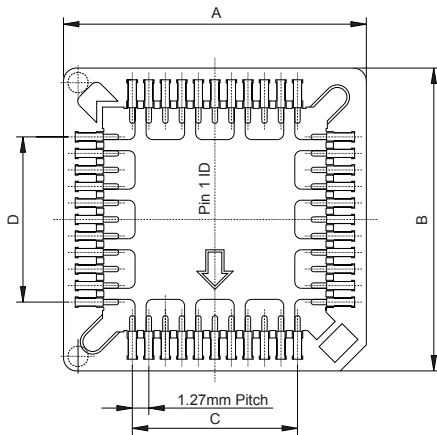
# APPLICABLE DIMENSIONS

(Reference Only)

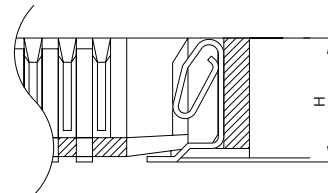
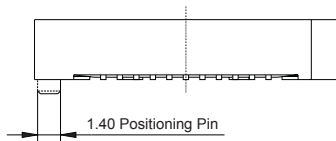
PLCC Low Cost SMT

# TPL Series

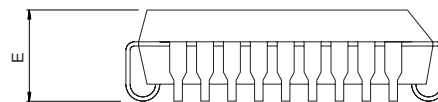
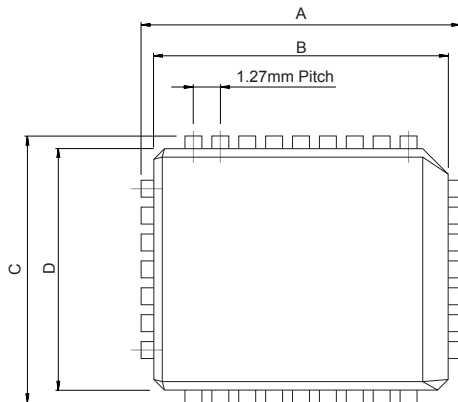
## Socket Outline Dimensions



## Contact Detail



## IC Outline Dimensions

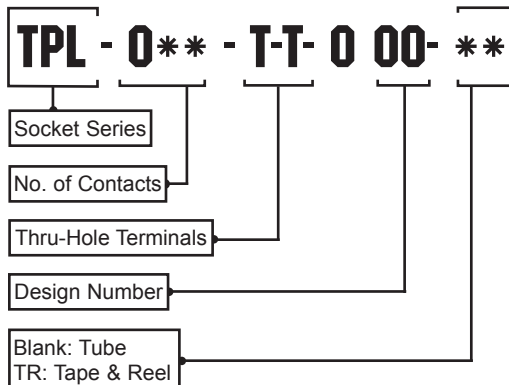
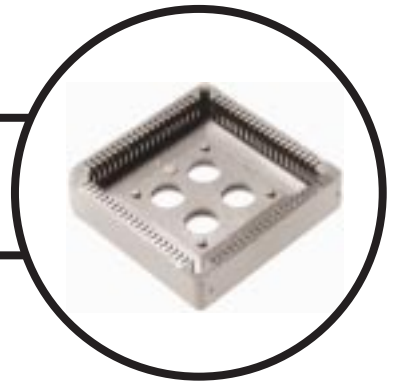


Sockets

# PLCC Through-Hole

## TPL Series

### Ordering Information



### Characteristics

Current Rating:	1A
Insulation Resistance:	10,000MΩ Minimum at 500 VDC
Withstanding Voltage:	1000 VAC for 1 minute
Contact Resistance:	15mΩ Max. at 10mA/20mV
Operating Temperature:	-55°C ~ +105°C
Mating Cycles:	10 Insertions

### Materials and Finish

Insulator:	High Temp Thermoplastic-UL94V-0
Contact:	Copper Alloy
Plating:	Contacts: SnPb over Ni Terminals: SnPb over Ni
Accessories:	Extraction Tool (see page 41)

### Features

- Standoffs prevent shorting and allow easier cleaning.
- Converts 1.27mm IC pitch to 2.54mm board pitch.
- Houses JEDEC standard packages.

### Socket Dimensions (Reference Only)

Part Number	Contacts	Pitch	A	B	C	D	E	F
TPL-020-T-T-000	20	1.27mm	15.56 (0.613)	15.56 (0.613)	5.08 (0.200)	5.08 (0.200)	8.00 (0.315)	3.30 (0.130)
TPL-028-T-T-000	28	1.27mm	18.10 (0.713)	18.10 (0.713)	7.62 (0.300)	7.62 (0.300)	8.00 (0.315)	3.30 (0.130)
TPL-032-T-T-000	32	1.27mm	18.10 (0.713)	20.64 (0.813)	7.62 (0.300)	10.16 (0.400)	8.00 (0.315)	3.30 (0.130)
TPL-044-T-T-000	44	1.27mm	23.58 (0.928)	23.58 (0.928)	12.70 (0.500)	12.70 (0.500)	8.00 (0.315)	3.30 (0.130)
TPL-052-T-T-000	52	1.27mm	25.72 (1.013)	25.72 (1.013)	15.24 (0.600)	15.24 (0.600)	8.00 (0.315)	3.30 (0.130)
TPL-068-T-T-000	68	1.27mm	31.10 (1.244)	31.10 (1.244)	20.32 (0.800)	20.32 (0.800)	8.00 (0.315)	3.30 (0.130)
TPL-084-T-T-000	84	1.27mm	36.00 (1.417)	36.00 (1.417)	25.40 (1.000)	25.40 (1.000)	8.00 (0.315)	3.30 (0.130)

### IC Dimensions (Reference Only)

Contacts	Pitch	A	B	C	D	E	Part Number
20	1.27mm	9.78 - 10.03	8.89 - 9.04	9.78 - 10.03	8.89 - 9.04	4.20 - 4.57	TPL-020-T-T-000
28	1.27mm	12.32 - 12.57	11.43 - 11.58	12.32 - 12.57	11.43 - 11.58	4.20 - 4.57	TPL-028-T-T-000
32	1.27mm	14.86 - 15.11	13.90 - 14.04	12.32 - 12.57	11.36 - 11.50	3.18 - 3.55	TPL-032-T-T-000
44	1.27mm	17.40 - 17.65	16.51 - 16.66	17.40 - 17.65	16.51 - 16.66	4.20 - 4.57	TPL-044-T-T-000
52	1.27mm	19.94 - 20.19	19.05 - 19.20	19.94 - 20.19	19.05 - 19.20	4.20 - 5.08	TPL-052-T-T-000
68	1.27mm	25.02 - 25.27	24.13 - 24.33	25.02 - 25.27	24.13 - 24.33	4.20 - 5.08	TPL-068-T-T-000
84	1.27mm	30.10 - 30.35	29.21 - 29.41	30.10 - 30.35	29.21 - 29.41	4.20 - 5.08	TPL-084-T-T-000

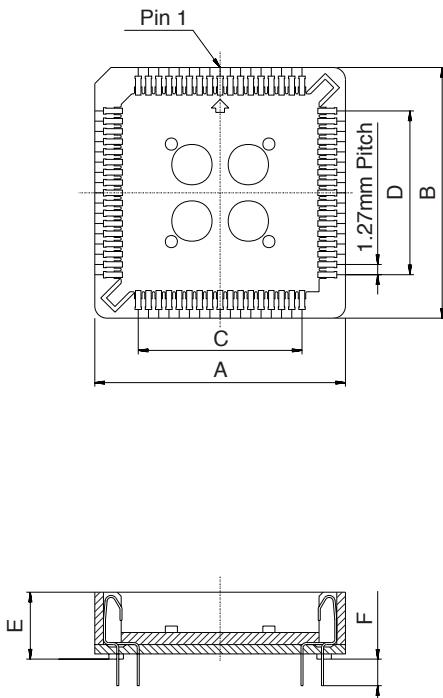
# APPLICABLE DIMENSIONS

(Reference Only)

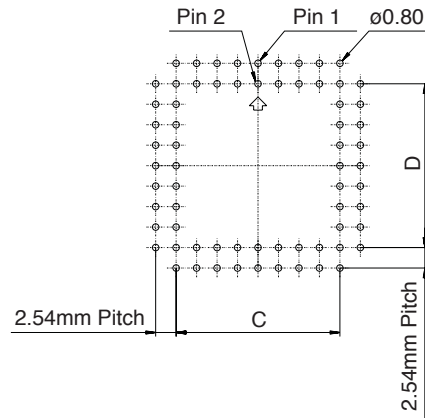
PLCC Through-Hole

# TPL Series

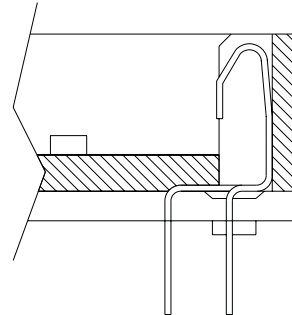
## Socket Outline Dimensions



## PCB Layout



## Contact Detail



## IC Outline Dimensions

