

ECS Microprocessor Crystals



CSM-7 HC49SM

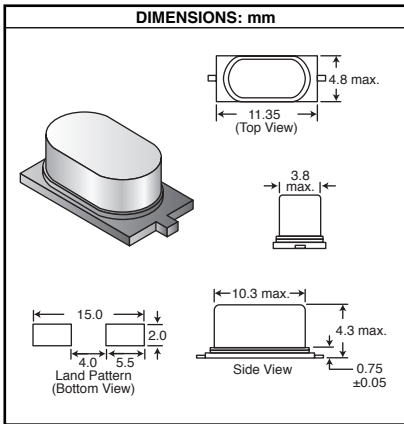
The CSM-7 is an excellent choice for the SMD version of the HC-49US leaded crystal. The CSM-7 has a case height of 4.3mm maximum in a resistance weld metal package.

Specifications:

- Frequency tolerance: ±30 ppm
- Extended temperature: +25°C to ±30 ppm
- Shunt capacitance: 7.0pF
- Load capacitance: specified or series
- Operating temp. Range: -10°C to +70°C
- Industrial Range: -40°C + 85°C (50 ppm)
- Storage temperature: -30°C to +85°C

Features:

- Cost effective
- Space saving design
- Low profile



For quantities of 1000 and up, call for quote.

MOUSER STOCK NO.	ECS Part Number	Frequency (MHz)	Load Cap.	Price Each			
				1	10	100	500
520-CSM357-17-X	ECS-35-17-5PX	3.579545	17pf	.78	.67	.53	.47
520-CSM368-20-X	ECS-36-5-5PX	3.6864	Series	.78	.67	.53	.47
520-CSM368-S-X	ECS-36-20-5PX	3.6864	20pf	.78	.67	.53	.47
520-CSM400-20-X	ECS-40-20-5PX	4.0000	20pf	.78	.67	.53	.47
520-CSM403-20-X	ECS-40-3-20-5PX	4.032000	20pf	.78	.67	.53	.47
520-CSM409-20-X	ECS-41-20-5PX	4.096000	20pf	.78	.67	.53	.47
520-CSM419-12-X	ECS-42-12-5PX	4.194304	12pf	.78	.67	.53	.47
520-CSM491-S-X	ECS-49-S-5PX	4.9152	Series	.78	.67	.53	.47
520-CSM491-20-X	ECS-49-20-5PX	4.9152	20pf	.78	.67	.53	.47
520-CSM500-20-X	ECS-50-20-5PX	5.000000	20pf	.68	.58	.46	.41
520-CSM500-S-X	ECS-50-S-5PX	5.000000	Series	.78	.67	.53	.47
520-CSM600-32-X	ECS-60-32-5PX	6.000000	32pf	.78	.67	.53	.47
520-CSM600-S-X	ECS-60-S-5PX	6.000000	Series	.78	.67	.53	.47
520-CSM614-32-X	ECS-61-32-5PX	6.144000	32pf	.78	.67	.53	.47
520-CSM655-S-X	ECS-65.5-S-5PX	6.553600	Series	.78	.67	.53	.47
520-CSM737-20-X	ECS-73-20-5PX	7.372800	20pf	.78	.67	.53	.47
520-CSM800-18-X	ECS-80-18-5PX	8.0000	18pf	.78	.67	.53	.47
520-CSM800-32-X	ECS-80-32-5PX	8.0000	32pf	.78	.67	.53	.47
520-CSM800-S-X	ECS-80-S-5PX	8.0000	Series	.78	.67	.53	.47
520-CSM921-S-X	ECS-92.1-S-5PX	9.216000	Series	.78	.67	.53	.47
520-CSM983-S-X	ECS-98.3-S-5PX	9.8304	Series	.78	.67	.53	.47
520-CSM1000-S-X	ECS-100-S-5PX	10.000000	Series	.78	.67	.53	.47
520-CSM1105-32-X	ECS-110.5-32-5PX	11.0592	32pf	.78	.67	.53	.47
520-CSM1105-20-X	ECS-110.5-20-5PX	11.0592	20pf	.78	.67	.53	.47
520-CSM1105-S-X	ECS-110.5-S-5PX	11.0592	Series	.78	.67	.53	.47
520-CSM1200-S-X	ECS-120-S-5PX	12.000000	Series	.78	.67	.53	.47
520-CSM1228-20-X	ECS-122.8-20-5PX	12.288000	20pf	.78	.67	.53	.47
520-CSM1228-S-X	ECS-122.8-S-5PX	12.288000	Series	.78	.67	.53	.47
520-CSM1431-S-X	ECS-143-S-5PX	14.318180	Series	.78	.67	.53	.47
520-CSM1600-20-X	ECS-160-20-5PX	16.000000	20pf	.78	.67	.53	.47
520-CSM1600-S-X	ECS-160-S-5PX	16.000000	Series	.78	.67	.53	.47
520-CSM1843-S-X	ECS-184-S-5PX	18.432000	Series	.78	.67	.53	.47
520-CSM2000-20-X	ECS-200-20-5PX	20.000000	20pf	.78	.67	.53	.47
520-CSM2048-20-X	ECS-204.8-20-5PX	20.480000	20pf	.78	.67	.53	.47
520-CSM2457-20-X	ECS-245.7-20-5PX	24.576000	20pf	.78	.67	.53	.47
520-CSM2500-18-X	ECS-250-18-5PX	25.000000	18pf	.78	.67	.53	.47
520-CSM4800-20-X	ECS-480-20-5PX	48.000000	20pf	.68	.58	.46	.41

Extended Temperature Range (-40°C to +85°C ± 50 ppm)

520-CSM357-17DN-X	ECS-35-17-5PX-DN	3.579545	17pf	1.50	1.27	.99	.81
520-CSM368-20DN-X	ECS-36-20-5PX-DN	3.686400	20pf	1.50	1.27	.99	.81
520-CSM400-20DN-X	ECS-40-20-5PX-DN	4.000000	20pf	1.50	1.27	.99	.81
520-CSM600-32DN-X	ECS-60-32-5PX-DN	6.000000	32pf	1.50	1.27	.99	.81
520-CSM737-20DN-X	ECS-73-20-5PX-DN	7.372800	20pf	1.50	1.27	.99	.81
520-CSM800-18DN-X	ECS-80-18-5PX-DN	8.000000	18pf	1.50	1.27	.99	.81
520-CSM1200-20DN-X	ECS-120-20-5PX-DN	12.000000	20pf	1.50	1.27	.99	.81
520-CSM1431-20DN-X	ECS-143-20-5PX-DN	14.318180	20pf	1.30	1.10	.86	.70
520-CSM1600-20DN-X	ECS-160-20-5PX-DN	16.000000	20pf	1.50	1.27	.99	.81
520-CSM1843-20DN-X	ECS-184-20-5PX-DN	18.432000	20pf	1.50	1.27	.99	.81
520-CSM1966-20DN-X	ECS-196.6-20-5PX-DN	19.660800	20pf	1.50	1.27	.99	.81
520-CSM2000-20DN-X	ECS-200-20-5PX-DN	20.000000	20pf	1.50	1.27	.99	.81
520-CSM2400-20DN-X	ECS-240-20-5PX-DN	24.000000	20pf	1.50	1.27	.99	.81

CSM-12 SURFACE MOUNT DEVICE

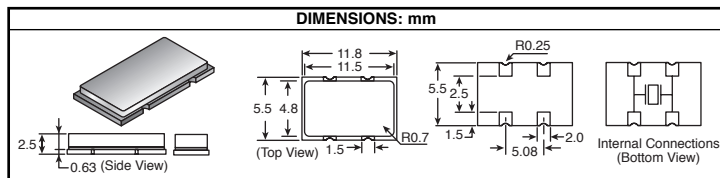
The CSM-12 is enclosed in a ceramic package. It is an excellent choice for a full size version of our miniature quartz crystal. The CSM-12 has a low profile dimension of 2.5mm.

Specifications:

- Frequency tolerance: ±30 ppm
- Load capacitance: standard or series
- Shunt capacitance: 7.0pF
- Mode of oscillation: fundamental

Features:

- Cost effective, low profile
- Space saving design



© Copyright 2007 Mouser Electronics

CSM-8A

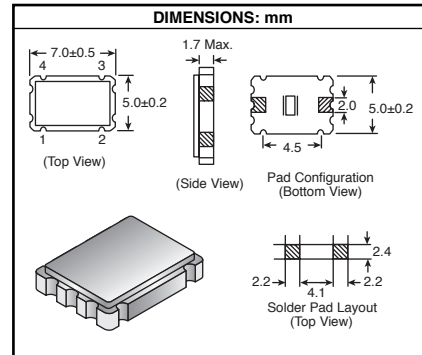
The CSM-8A Series is a very cost effective, low profile SMD quartz crystal. It is ideal for PCMCIA, ethernet, and fax modem card applications. Additional land pads available. Contact a Mouser Sales Representative for more information.

Specifications:

- Frequency tolerance: ±30 ppm
- Shunt capacitance: 5.0pF
- Load capacitance: standard or series
- Operating temperature: -10°C to +70°C
- Storage temperature: -40°C to +85°C

Features:

- Glass sealed ceramic package
- Tight stability/high reliability
- Wide frequency range
- High frequency fundamental availability
- Three optional footprints



For quantities of 1000 and up, call for quote.

MOUSER STOCK NO.	ECS Part Number	Frequency (MHz)	Load Cap.	Price Each			
				1	10	100	500
520-CSQ1000-S	ECS-100-S-20A	10.000000	Series	3.11	2.91	2.50	2.17
520-CSQ1105-20	ECS-110.5-20-20A	11.059200	20pf	3.11	2.91	2.50	2.17
520-CSQ1431-S	ECS-143-S-20A	14.318180	Series	3.11	2.91	2.50	2.17
520-CSQ1431-20	ECS-143-20-20A	14.318180	20pf	3.11	2.91	2.50	2.17
520-CSQ1600-20	ECS-160-20-20A	16.000000	20pf	3.11	2.91	2.50	2.17
520-CSQ1966-S	ECS-196.6-A-20A	19.660800	Series	3.11	2.91	2.50	2.17
520-CSQ2000-S	ECS-200-S-20A	20.000000	Series	3.11	2.91	2.50	2.17
520-CSQ2400-20	ECS-240-20-20A	24.000000	20pf	3.11	2.91	2.50	2.17
520-CSQ3000-S	ECS-300-S-20A	30.000000	Series	3.11	2.91	2.50	2.17
520-CSQ3300A-S	ECS-330-S-20A	33.000000	Series	3.11	2.91	2.50	2.17
520-CSQ3600-S	ECS-360-S-20A-F	36.000000	Series	3.11	2.91	2.50	2.17
520-CSQ4000A-S	ECS-400-S-20A	40.000000	Series	3.11	2.91	2.50	2.17
520-CSQ4800-20	ECS-480-20-20A	48.000000	20pf	3.11	2.91	2.50	2.17

ECX-3S

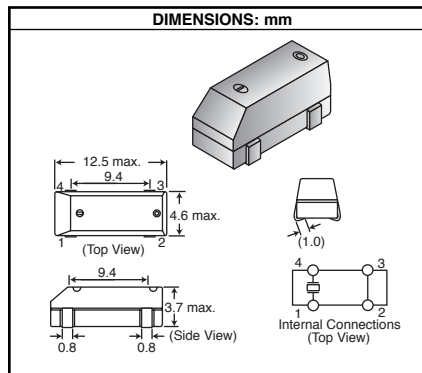
This wide frequency range SMD quartz crystal is an excellent choice for surface mount applications. The ruggedized molded package is made from the same thermoplastic that is industry standard for integrated circuits.

Specifications:

- Frequency tolerance: ±30 pm
- Shunt capacitance: 7.0pF
- Load capacitance: standard or series
- Operating temperature range: -10°C to +70°C
- Storage temperature: -40°C to +85°C

Features:

- Low profile
- Industry standard footprint
- High temperature seal capabilities
- Excellent shock resistance
- Excellent environmental characteristics



For quantities of 1000 and up, call for quote.

MOUSER STOCK NO.	ECS Part Number	Frequency (MHz)	Load Cap.	Price Each			
				1	10	100	500
520-ECX368-S	ECS-36-S-7S	3.6864	Series	2.16	1.73	1.38	1.21
520-ECX400-20	ECS-40-20-7S	4.0000	20pf	2.16	1.73	1.38	1.21
520-ECX491-S	ECS-49-S-7S	4.915200	Series	2.16	1.73	1.38	1.21
520-ECX614-32	ECS-61-32-7S	6.144000	32pf	2.16	1.73	1.38	1.21
520-ECX655-12	ECS-65-12-7S	6.553600	12pf	2.16	1.73	1.38	1.21
520-ECX800-16	ECS-80-16-7S	8.0000	16pf	2.16	1.73	1.38	1.21
520-ECX983-20	ECS-98.3-20-7S	9.8304	20pf	2.16	1.73	1.38	1.21
520-ECX1200-S	ECS-120-S-7S	12.0000	Series	2.16	1.73	1.38	1.21
520-ECX1200-18	ECS-120-18-7S	12.0000	18pf	2.16	1.73	1.38	1.21
520-ECX1200-32	ECS-120-32-7S	12.0000	32pf	2.16	1.73	1.38	1.21
520-ECX1228-S	ECS-122.8-S-7S	12.2880	Series	2.16	1.73	1.38	1.21
520-ECX1228-20	ECS-122.8-20-7S	12.2880	20pf	2.16	1.73	1.38	1.21
520-ECX1431-20	ECS-143-20-7S	14.318180	20pf	2.16	1.73	1.38	1.21
520-ECX1843-S	ECS-184-S-7S	18.432000	Series	2.16	1.73	1.38	1.21
520-ECX2000-16	ECS-200-16-7S	20.000000	16pf	2.16	1.73	1.38	1.21
520-ECX2000-S	ECS-200-S-7S	20.000000	Series	2.16	1.73	1.38	1.21

For quantities of 1000 and up, call for quote.

MOUSER STOCK NO.	ECS Part Number	Frequency (MHz)	Load Cap.	Price Each			
				1	10	100	500
520-CSR357-17	ECS-35-17-18	3.579545	17pf	1.56	1.40	1.25	1.09
520-CSR368-20	ECS-36-20-18	3.686400	20pf	1.56	1.40	1.25	1.09
520-CSR400-20	ECS-40-20-18	4.000000	20pf	1.56	1.40	1.25	1.09
520-CSR983-20	ECS-98.3-20-18	9.830400	20pf	1.56	1.40	1.25	1.09
520-CSR1105-S	ECS-110.5-S-18	11.059200	Series	1.56	1.40	1.25	1.09
520-CSR1200-S	ECS-120-S-18	12.000000	Series	1.56	1.40	1.25	1.09
520-CSR1431-S	ECS-143-S-18	14.318180	Series	1.56	1.40	1.25	1.09
520-CSR1431-18	ECS-143-20-18	14.318180	18pF	1.56	1.40	1.25	1.09
520-CSR1843-S	ECS-184-S-18	18.432000	Series	1.56	1.40	1.25	1.09
520-CSR2000-S	ECS-200-S-18	20.000000	Series	1.56	1.40	1.25	1.09

© Copyright 2007 Mouser Electronics