

## Multilayer Ceramic Chip Capacitors

### Introduction

Multilayer Surface Mount Ceramic Capacitors are constructed by screen printing alternative layers of internal metallic electrodes onto ceramic dielectric materials and firing into a concrete monolithic body, then completed by application of metal end terminations which are fired to assure permanent bonding with the individual internal electrodes.

Multilayer ceramic capacitors have various features such as large capacitance values in small sizes and excellent high frequency characteristics.

Moreover, chip capacitors can be used on surface mount assembly equipment. Our fully integrated manufacturing and total quality control systems ensure unprecedented high standards of quality and reliability.

---

### Chip Capacitor Selection

Selection of the most suitable capacitor for any application is based on the following:

#### **Dielectric Type**

The choice of dielectric is largely determined by the temperature stability required.

#### **COG (NPO)**

Capacitance change with temperature is 0-30ppm/°C which is less than -0.3%/°C from -55°C to +125°C. Typical capacitance change with life is less than -0.1% for NPOs, one-fifth that shown by most other dielectrics. NPO formulations show no aging characteristics.

#### **X7R/X5R**

Its temperature variation of capacitance is within ±15% from -55°C to +125°C (-55°C to +85°C for X5R). The capacitance change is non-linear.

#### **Z5U**

Despite their capacitance instability, Z5U formulations are very popular because of their small size, temperature range low ESL, low ESR and excellent frequency response. These features are particularly important for decoupling application where only a minimum capacitance value is required.

#### **Y5V**

Y5V formulations are for general purpose use in a limited temperature range. They have a wide temperature characteristic of +22% - 82% capacitance change over the operating temperature range of -30°C to +85°C. Y5Vs high dielectric constant allows the manufacture of very high capacitance values (up to 22MF) in small physical sizes.

#### **Capacitance Value & Tolerance**

Determined by circuit requirements. Note that chip prices decrease with lower capacitance value and looser tolerance.

#### **Voltage**

Determined by circuit requirements. Units are designed to exceed the withstanding voltage specification, i.e., the user need not incorporate an additional safety margin.

#### **Capacitor Size**

Select the smallest unit permitted by the circuit constraints that provides the required capacitance and voltage rating. All Cal-Chip capacitors conform to EIA specifications.

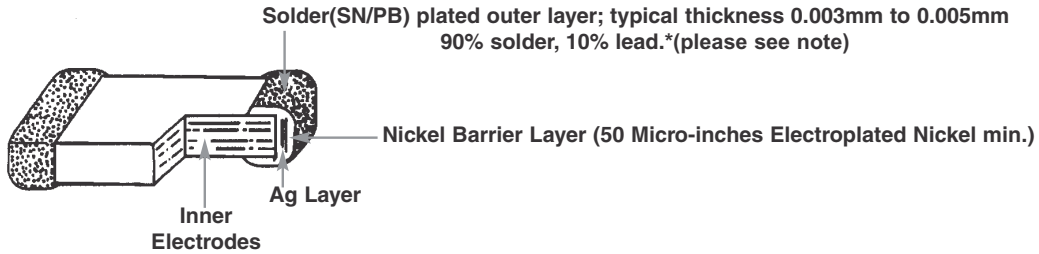
#### **Capacitor Termination**

Termination choice is largely determined by the chip attachment method. Silver-palladium is adequate for most applications involving soldering or solder reflow.

Nickel barrier is standard and recommended for units exposed to repeated solder cycles, to minimize leaching of the termination.

## Multilayer Ceramic Chip Capacitors

### Construction



### Example

GMC21	CG	102	J	50	N	T																		
Size Code	Dielectric	Capacitance (pF)	Capacitance Tolerance (EIA Code)	Voltage	Termination	Packaging Code																		
	CG (COG) (NPO) X7R or X5R Z5U Y5V		B ±0.1pf for ≤ 10pF C ±0.25pF for ≤ 10pF D ±0.5pF for ≤ 10pF F ±1% G ±2% J ±5% K ±10% M ±20% Z -20%~+80%		6r3 6.3 DC 10 10 DC 16 16 DC 25 25 DC 50 50 DC 100 100 DC 200 200 DC	N Nickel Barrier T Tape and Reel TLF Lead Free*																		
<p>Capacitance values are represented in 3 digits, and expressed in pF. The first two digits are significant, and the third is the number of zeros. The letter "R" is used as a decimal point.</p> <table border="1"> <tr><td>0R5</td><td>0.5pF</td></tr> <tr><td>5R0</td><td>5pF</td></tr> <tr><td>100</td><td>10pF</td></tr> <tr><td>101</td><td>100pF</td></tr> <tr><td>102</td><td>1000pF</td></tr> <tr><td>103</td><td>.01mF</td></tr> <tr><td>104</td><td>.1mF</td></tr> <tr><td>105</td><td>1.0mF</td></tr> <tr><td>106</td><td>10mF</td></tr> </table>							0R5	0.5pF	5R0	5pF	100	10pF	101	100pF	102	1000pF	103	.01mF	104	.1mF	105	1.0mF	106	10mF
0R5	0.5pF																							
5R0	5pF																							
100	10pF																							
101	100pF																							
102	1000pF																							
103	.01mF																							
104	.1mF																							
105	1.0mF																							
106	10mF																							

\*Note for Lead Free: Cal-Chip is beginning to phase in Lead-Free products. Upon checking availability with the factory, please specify "TLF" at the end of the part number.

Multilayer Ceramic Chip Capacitors

0201

DIMENSION (MM)

GMC02

<b>L</b>		0.6 ± 0.03						
<b>W</b>		0.3 ± 0.03						
<b>T(MAX)</b>		0.3 ± 0.03						
<b>BW</b>		0.15 ± 0.05						
dielectric		NPO/COG		X5R		X7R		Y5V/Z5U
Rated Voltage		25	6.3	10	6.3	10	16	6.3
Cap. Range								
0.5pF	0R5							
1.0	1R0							
1.2	1R2							
1.5	1R5							
1.8	1R8							
2.2	2R2							
2.7	2R7							
3.3	3R3							
3.9	3R9							
4.7	4R7							
5.6	5R6							
6.8	6R8							
8.2	8R2							
10	100							
12	120							
15	150							
18	180							
22	220							
27	270							
33	330							
39	390							
47	470							
56	560							
68	680							
82	820							
100	101							
120	121							
150	151							
180	181							
220	221							
270	271							
330	331							
390	391							
470	471							
560	561							
680	681							
820	821							
1.0nF	102							
1.2	122							
1.5	152							
1.8	182							
2.2	222							
2.7	272							
3.3	332							
3.9	392							
4.7	472							
5.6	562							
6.8	682							
8.2	822							
10	103							
12	123							
15	153							
18	183							
22	223							
27	273							
33	333							
39	393							
47	473							
56	563							
68	683							
82	823							
100	104							
120	124							
150	154							
180	184							
220	224							
270	274							
330	334							
390	394							
470	474							
560	564							
680	684							
820	824							
1.0uF	105							
2.2	225							

Multilayer Ceramic Chip Capacitors

0402 & 0603

GMC04

GMC10

Type	0402														0603																			
Length (L1)	mm							1.0±0.05							mm							1.6±0.2												
	inches							0.04±0.002							mm							0.063±0.008												
Width (W)	mm							0.5±0.05							mm							0.8±0.2												
	inches							0.02±0.002							mm							0.031±0.008												
Thickness (H)	mm							0.5±0.1							mm							0.8±0.2												
	inches							0.02±0.004							mm							0.031±0.008												
Termination Band (L2+L3)	mm							Min							mm							Min												
	inches							0.1							Max							Max												
Band Gap (L4)mm (Min)	inches							0.3							mm							0.6												
	inches							0.012							inches							0.015												
Dielectric	COG		X5R			X7R			Y5V & Z5U						COG		X5R			X7R			Y5V & Z5U											
Rated Voltage d.c.	25	50	6.3	10	16	6.3	10	16	25	50	6.3	10	16	25	50	25	50	100	6.3	10	16	6.3	10	16	25	50/100	6.3	10	16	25	50			
Cap Range	Code																																	
0.5pF	0R5																																	
1.0	1R0																																	
1.2	1R2																																	
1.5	1R5																																	
1.8	1R8																																	
2.2	2R2																																	
2.7	2R7																																	
3.3	3R3																																	
3.9	3R9																																	
4.7	4R7																																	
5.6	5R6																																	
6.8	6R8																																	
8.2	8R2																																	
10	100																																	
12	120																																	
15	150																																	
18	180																																	
22	220																																	
27	270																																	
33	330																																	
39	390																																	
47	470																																	
56	560																																	
68	680																																	
82	820																																	
100	101																																	
120	121																																	
150	151																																	
180	181																																	
220	221																																	
270	271																																	
330	331																																	
390	391																																	
470	471																																	
560	561																																	
680	681																																	
820	821																																	
1.0nF	102																																	
1.2	122																																	
1.5	152																																	
1.8	182																																	
2.2	222																																	
2.7	272																																	
3.3	332																																	
3.9	392																																	
4.7	472																																	
5.6	562																																	
6.8	682																																	
8.2	822																																	
10	103																																	
12	123																																	
15	153																																	
18	183																																	
22	223																																	
27	273																																	
33	333																																	
39	393																																	
47	473																																	
56	563																																	
68	683																																	
82	823																																	
100	104																																	
150	154																																	
220	224																																	
270	274																																	
330	334																																	
390	394																																	
470	474																																	
560	564																																	
680	684																																	
820	824																																	
1.0uF	105																																	
2.2	225																																	
2.7	275																																	
3.3	335																																	
3.9	395																																	
4.7	475																																	
5.6	565																																	
6.8	685																																	
8.2	825																																	
10	106																																	
15	156																																	
22	226																																	
33	336																																	
47	476																																	

Multilayer Ceramic Chip Capacitors

COG/NPO

GMC21 GMC31 GMC32 GMC40 GMC43 GMC45 GMC55 GMC57

Type	0805		1206		1210		1808		1812		1825		2220		2225	
Length mm	2.0±0.3		3.2±0.3		3.2±0.3		4.57±0.25		4.5±0.35		4.5±0.35		5.7±0.4		5.7±0.4	
Inches	0.08±0.012		0.125±0.012		0.125±0.012		0.18±0.01		0.18±0.014		0.18±0.014		0.225±0.016		0.225±0.016	
Width mm	1.25±0.2		1.6±0.2		2.5±0.3		2.03±0.25		3.2±0.3		6.3±0.4		5.0±0.4		6.3±0.4	
Inches	0.05±0.008		0.063±0.008		0.10±0.012		0.08±0.01		0.125±0.012		0.25±0.016		0.197±0.016		0.25±0.016	
Thickness mm	1.3		1.6		1.8		2.03		1.8		1.8		1.8		1.8	
Inches	0.051		0.063		0.07		0.08		0.07		0.07		0.07		0.07	
Termination Band mm	Min	Max	Min	Max	Min	Max	Min	Max	Min	Max	Min	Max	Min	Max	Min	Max
Inches	0.25	0.75	0.25	0.75	0.25	0.75	0.25	0.75	0.25	0.75	0.25	0.75	0.25	0.75	0.25	0.75
Inches	0.01	0.03	0.01	0.03	0.01	0.03	0.01	0.03	0.01	0.03	0.01	0.03	0.01	0.03	0.01	0.03
Band Gap mm	0.5		1.4		1.4		2.0		2.2		2.2		2.9		2.9	
Inches	0.019		0.055		0.055		0.078		0.087		0.087		0.114		0.114	
Rated Voltage d.c.	16	25	50	25	50	16	25	50/63	50/63	50/63	50/63	50/63	50/63	50/63	50/63	50/63
Cap. Range	Code															
0.5pF	0R5															
1.0	1R0															
1.2	1R2															
1.5	1R5															
1.8	1R8															
2.2	2R2															
2.7	2R7															
3.3	3R3															
3.9	3R9															
4.7	4R7															
5.6	5R6															
6.8	6R8															
8.2	8R2															
10	100															
12	120															
15	150															
18	180															
22	220															
27	270															
33	330															
39	390															
47	470															
56	560															
68	680															
82	820															
100	101															
120	121															
150	151															
180	181															
220	221															
270	271															
330	331															
390	391															
470	471															
560	561															
680	681															
820	821															
1.0nF	102															
1.2	122															
1.5	152															
1.8	182															
2.2	222															
2.7	272															
3.3	332															
3.9	392															
4.7	472															
5.6	562															
6.8	682															
8.2	822															
10	103															
12	123															
15	153															
18	183															
22	223															
27	273															
33	333															
39	393															
47	473															
56	563															
68	683															
82	823															
100	104															
120	124															
150	154															
180	184															
220	224															
270	274															
330	334															
390	394															
470	474															
560	564															
680	684															
820	824															
1.0uF	105															
2.2	225															
3.3	335															
4.7	475															
6.8	685															
10	106															
22	226															
33	336															
47	476															
100	107															

Multilayer Ceramic Chip Capacitors

COG/NPO (cont.)

		GMC21		GMC31		GMC32		GMC40		GMC43		GMC45		GMC55		GMC57	
Type		0805		1206		1210		1808		1812		1825		2220		2225	
Length	mm	2.0±0.3		3.2±0.3		3.2±0.3		4.57±0.25		4.5±0.35		4.5±0.35		5.7±0.4		5.7±0.4	
	Inches	0.08±0.012		0.125±0.012		0.125±0.012		0.18±0.01		0.18±0.014		0.18±0.014		0.225±0.016		0.225±0.016	
Width	mm	1.25±0.2		1.6±0.2		2.5±0.3		2.03±0.25		3.2±0.3		6.3±0.4		5.0±0.4		6.3±0.4	
	Inches	0.05±0.008		0.063±0.008		0.10±0.012		0.08±0.01		0.125±0.012		0.25±0.016		0.197±0.016		0.25±0.016	
Thickness	mm	1.3		1.6		1.8		2.03		1.8		1.8		1.8		1.8	
	Inches	0.051		0.063		0.07		0.08		0.07		0.07		0.07		0.07	
Termination Band	mm	Min	Max	Min	Max	Min	Max	Min	Max	Min	Max	Min	Max	Min	Max	Min	Max
	Inches	0.25	0.75	0.25	0.75	0.25	0.75	0.25	0.75	0.25	0.75	0.25	0.75	0.25	0.75	0.25	0.75
Band Gap	mm	0.5		1.4		1.4		2.0		2.2		2.2		2.9		2.9	
	Inches	0.019		0.055		0.055		0.078		0.087		0.087		0.114		0.114	
Rated Voltage d.c.		100	200	100	200	100	200	100	200	100	200	100	200	100	200	100	200
Cap. Range	Code																
0.5pF	0R5																
1.0	1R0																
1.2	1R2																
1.5	1R5																
1.8	1R8																
2.2	2R2																
2.7	2R7																
3.3	3R3																
3.9	3R9																
4.7	4R7																
5.6	5R6																
6.8	6R8																
8.2	8R2																
10	100																
12	120																
15	150																
18	180																
22	220																
27	270																
33	330																
39	390																
47	470																
56	560																
68	680																
82	820																
100	101																
120	121																
150	151																
180	181																
220	221																
270	271																
330	331																
390	391																
470	471																
560	561																
680	681																
820	821																
1.0nF	102																
1.2	122																
1.5	152																
1.8	182																
2.2	222																
2.7	272																
3.3	332																
3.9	392																
4.7	472																
5.6	562																
6.8	682																
8.2	822																
10	103																
12	123																
15	153																
18	183																
22	223																
27	273																
33	333																
39	393																
47	473																
56	563																
68	683																
82	823																
100	104																
120	124																
150	154																
180	184																
220	224																
270	274																
330	334																
390	394																
470	474																
560	564																
680	684																
820	824																
1.0nF	105																
2.2	225																
3.3	335																
4.7	475																
6.8	685																
10	106																
22	226																
33	336																
47	476																
68	686																
100	107																

Multilayer Ceramic Chip Capacitors  
X7R

		GMC21			GMC31			GMC32			GMC40			GMC43			GMC45			GMC55			GMC57		
Type		0805			1206			1210			1808			1812			1825			2220			2225		
Length	mm	2.0±0.3			3.2±0.3			3.2±0.3			4.57±0.25			4.5±0.35			4.5±0.35			5.7±0.4			5.7±0.4		
	Inches	0.08±0.012			0.125±0.012			0.125±0.012			0.18±0.01			0.18±0.014			0.18±0.014			0.225±0.016			0.225±0.016		
Width	mm	1.25±0.2			1.6±0.2			2.5±0.3			2.03±0.25			3.2±0.3			6.3±0.4			5.0±0.4			6.3±0.4		
	Inches	0.05±0.008			0.063±0.008			0.10±0.012			0.08±0.01			0.125±0.012			0.25±0.016			0.197±0.016			0.25±0.016		
Thickness	mm	1.3			1.6			1.8			2.03			1.8			1.8			1.8			1.8		
	Inches	0.051			0.063			0.07			0.08			0.07			0.07			0.07			0.07		
Termination Band	mm	Min	Max		Min	Max		Min	Max		Min	Max		Min	Max		Min	Max		Min	Max		Min	Max	
		0.25	0.75		0.25	0.75		0.25	0.75		0.25	0.75		0.25	0.75		0.25	0.75		0.25	0.75		0.25	0.75	
	Inches	0.01		0.03		0.01		0.03		0.01		0.03		0.01		0.03		0.01		0.03		0.01		0.03	
Band Gap	mm	0.5			1.4			1.4			2.0			2.2			2.2			2.9			2.9		
	Inches	0.019			0.055			0.055			0.078			0.087			0.087			0.114			0.114		
Rated Voltage d.c.		6.3	10	16	25	6.3	10	16	25	10	16	25	10	16	25	10	16	25	10	16	25	10	16	25	
Cap. Range	Code																								
0.5pF	0R5																								
1.0	1R0																								
1.2	1R2																								
1.5	1R5																								
1.8	1R8																								
2.2	2R2																								
2.7	2R7																								
3.3	3R3																								
3.9	3R9																								
4.7	4R7																								
5.6	5R6																								
6.8	6R8																								
8.2	8R2																								
10	100																								
12	120																								
15	150																								
18	180																								
22	220																								
27	270																								
33	330																								
39	390																								
47	470																								
56	560																								
68	680																								
82	820																								
100	101																								
120	121																								
150	151																								
180	181																								
220	221																								
270	271																								
330	331																								
390	391																								
470	471																								
560	561																								
680	681																								
820	821																								
1.0nF	102																								
1.2	122																								
1.5	152																								
1.8	182																								
2.2	222																								
2.7	272																								
3.3	332																								
3.9	392																								
4.7	472																								
5.6	562																								
6.8	682																								
8.2	822																								
10	103																								
12	123																								
15	153																								
18	183																								
22	223																								
27	273																								
33	333																								
39	393																								
47	473																								
56	563																								
68	683																								
82	823																								
100	104																								
120	124																								
150	154																								
180	184																								
220	224																								
270	274																								
330	334																								
390	394																								
470	474																								
560	564																								
680	684																								
820	824																								
1.0uF	105																								
2.2	225																								
3.3	335																								
4.7	475																								
6.8	685																								
10	106																								
22	226																								
33	336																								
47	476																								
68	686																								
100	107																								

Multilayer Ceramic Chip Capacitors

X7R (cont)

	GMC21			GMC31			GMC32			GMC40			GMC43			GMC45			GMC55			GMC57			
Type	0805			1206			1210			1808			1812			1825			2220			2225			
Length	mm	2.0±0.3			3.2±0.3			3.2±0.3			4.57±0.25			4.5±0.35			4.5±0.35			5.7±0.4			5.7±0.4		
	Inches	0.08±0.012			0.125±0.012			0.125±0.012			0.18±0.01			0.18±0.014			0.18±0.014			0.225±0.016			0.225±0.016		
Width	mm	1.25±0.2			1.6±0.2			2.5±0.3			2.03±0.25			3.2±0.3			6.3±0.4			5.0±0.4			6.3±0.4		
	Inches	0.05±0.008			0.063±0.008			0.10±0.012			0.08±0.01			0.125±0.012			0.25±0.016			0.197±0.016			0.25±0.016		
Thickness	mm	1.3			1.6			1.8			2.03			1.8			1.8			1.8			1.8		
	Inches	0.051			0.063			0.07			0.08			0.07			0.07			0.07			0.07		
Termination Band	mm	Min	0.25			Min	0.25			Min	0.25			Min	0.25			Min	0.25			Min	0.25		
		Max	0.75			Max	0.75			Max	0.75			Max	0.75			Max	0.75			Max	0.75		
	Inches	0.01			0.03			0.01			0.03			0.01			0.03			0.01			0.03		
Band Gap	mm	0.5			1.4			1.4			2.0			2.2			2.2			2.9			2.9		
	Inches	0.019			0.055			0.055			0.078			0.087			0.087			0.114			0.114		
Rated Voltage d.c.	50	100	200	50	100	200	50	100	200	50	100	200	50	100	200	50	100	200	50	100	200	50	100	200	
Cap. Range	Code																								
0.5pF	0R5																								
1.0	1R0																								
1.2	1R2																								
1.5	1R5																								
1.8	1R8																								
2.2	2R2																								
2.7	2R7																								
3.3	3R3																								
3.9	3R9																								
4.7	4R7																								
5.6	5R6																								
6.8	6R8																								
8.2	8R2																								
10	100																								
12	120																								
15	150																								
18	180																								
22	220																								
27	270																								
33	330																								
39	390																								
47	470																								
56	560																								
68	680																								
82	820																								
100	101																								
120	121																								
150	151																								
180	181																								
220	221																								
270	271																								
330	331																								
390	391																								
470	471																								
560	561																								
680	681																								
820	821																								
1.0nF	102																								
1.2	122																								
1.5	152																								
1.8	182																								
2.2	222																								
2.7	272																								
3.3	332																								
3.9	392																								
4.7	472																								
5.6	562																								
6.8	682																								
8.2	822																								
10	103																								
12	123																								
15	153																								
18	183																								
22	223																								
27	273																								
33	333																								
39	393																								
47	473																								
56	563																								
68	683																								
82	823																								
100	104																								
120	124																								
150	154																								
180	184																								
220	224																								
270	274																								
330	334																								
390	394																								
470	474																								
560	564																								
680	684																								
820	824																								
1.0uF	105																								
2.2	225																								
3.3	335																								
4.7	475																								
6.8	685																								
10	106																								
22	226																								







Multilayer Ceramic Chip Capacitors

Y5V/Z5U (cont)

		GMC21			GMC31			GMC32			GMC40			GMC43			GMC45			GMC55			GMC57		
Type		0805			1206			1210			1808			1812			1825			2220			2225		
Length	mm	2.0±0.3			3.2±0.3			3.2±0.3			4.57±0.25			4.5±0.35			4.5±0.35			5.7±0.4			5.7±0.4		
	Inches	0.08±0.012			0.125±0.012			0.125±0.012			0.18±0.01			0.18±0.014			0.18±0.014			0.225±0.016			0.225±0.016		
Width	mm	1.25±0.2			1.6±0.2			2.5±0.3			2.03±0.25			3.2±0.3			6.3±0.4			5.0±0.4			6.3±0.4		
	Inches	0.05±0.008			0.063±0.008			0.10±0.012			0.08±0.01			0.125±0.012			0.25±0.016			0.197±0.016			0.25±0.016		
Thickness	mm	1.3			1.6			1.8			2.03			1.8			1.8			1.8			1.8		
	Inches	0.051			0.063			0.07			0.08			0.07			0.07			0.07			0.07		
Termination Band	Min	0.25			0.25			0.25			0.25			0.25			0.25			0.25			0.25		
	Max	0.75			0.75			0.75			0.75			0.75			0.75			0.75			0.75		
	Inches	0.01			0.03			0.01			0.03			0.01			0.03			0.01			0.03		
Band Gap	mm	0.5			1.4			1.4			2.0			2.2			2.2			2.9			2.9		
	Inches	0.019			0.055			0.055			0.078			0.087			0.087			0.114			0.114		
Rated Voltage d.c.		50	100	200	50	100	200	50	100	200	50	100	200	50	100	200	50	100	200	50	100	200	50	100	200
Cap. Range	Code																								
0.5pF	0R5																								
1.0	1R0																								
1.2	1R2																								
1.5	1R5																								
1.8	1R8																								
2.2	2R2																								
2.7	2R7																								
3.3	3R3																								
3.9	3R9																								
4.7	4R7																								
5.6	5R6																								
6.8	6R8																								
8.2	8R2																								
10	100																								
12	120																								
15	150																								
18	180																								
22	220																								
27	270																								
33	330																								
39	390																								
47	470																								
56	560																								
68	680																								
82	820																								
100	101																								
120	121																								
150	151																								
180	181																								
220	221																								
270	271																								
330	331																								
390	391																								
470	471																								
560	561																								
680	681																								
820	821																								
1.0nF	102																								
1.2	122																								
1.5	152																								
1.8	182																								
2.2	222																								
2.7	272																								
3.3	332																								
3.9	392																								
4.7	472																								
5.6	562																								
6.8	682																								
8.2	822																								
10	103																								
12	123																								
15	153																								
18	183																								
22	223																								
27	273																								
33	333																								
39	393																								
47	473																								
56	563																								
68	683																								
82	823																								
100	104																								
120	124																								
150	154																								
180	184																								
220	224																								
270	274																								
330	334																								
390	394																								
470	474																								
560	564																								
680	684																								
820	824																								
1.0uF	105																								
2.2	225																								
3.3	335																								
4.7	475																								
6.8	685																								
10	106																								
22	226																								
33	336																								
47	476																								
68	686																								
100	107																								

Multilayer Ceramic Chip Capacitors

**COG Dielectric**

Ultra stable class I dielectric: linear temperature coefficient, low loss, negligible change of electrical properties with time, voltage and frequency.

Operating Temperature Range	Temperature Coefficient	Temperature Voltage Coefficient ( $\Delta C_{Max}$ @ $V_{DcW}$ )	Dissipation Factor	Insulation Resistance	Dielectric withstanding Voltage	Aging Rate	Test Parameters
-55°C to +125°C	0±30ppm/°C	0±30ppm/°C	0.1% Max, 0.02% Typical	<ul style="list-style-type: none"> <li>• 25°C, <math>V_{DcW}</math>:: &gt;100GΩF or 1000ΩF, whichever is less</li> <li>• 125°C, <math>V_{DcW}</math>:: &gt;10GΩF or 100ΩF whichever is less</li> </ul>	3 X $V_{DcW}$	0% per decade hour	<ul style="list-style-type: none"> <li>• <math>C \leq 1000pF</math> f=1MHz V=1.0Vrms ±0.2Vrms T=25°C</li> <li>• <math>C &gt; 1000pF</math> f=1KHz V=1.0Vrms ±0.2Vrms T=25°C</li> </ul>

**X7R Dielectric**

Stable class II dielectric (EIA X7R)

Operating Temperature Range	Temperature Coefficient	Temperature Voltage Coefficient ( $\Delta C_{Max}$ @ $V_{DcW}$ )	Dissipation Factor	Insulation Resistance	Dielectric withstanding Voltage	Aging Rate	Test Parameters
-55°C to +125°C	±15%	X7R Not Applicable	2.5% Max, 1.8% Typical	<ul style="list-style-type: none"> <li>• 25°C, <math>V_{DcW}</math>:: &gt;100GΩFor 1000ΩF, whichever is less</li> <li>• 125°C, <math>V_{DcW}</math>:: &gt;10GΩF or 100ΩF whichever is less</li> </ul>	2.5 X $V_{DcW}$	<2% per decade hour	<ul style="list-style-type: none"> <li>1KHz, 1.0Vrms ±0.2Vrms 25°C values &gt; or = to 10uF 1.0Vrms 120Hz</li> </ul>

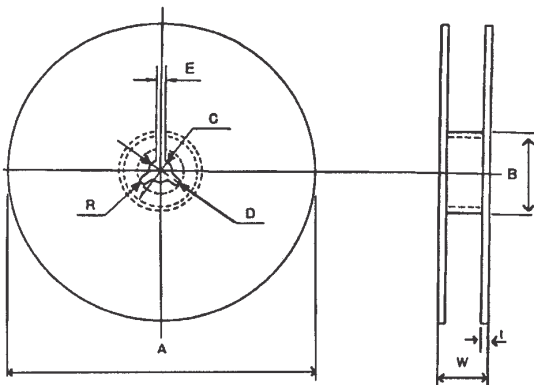
## Multilayer Ceramic Chip Capacitors - Z5U (Y5V) Dielectric

High capacitance per unit volume: general purpose product

Operating Temperature Range	Temperature Coefficient	Dissipation Factor	Insulation Resistance	Dielectric withstanding Voltage	Aging Rate	Test Parameters
-30°C to +85°C	+22% to -82%	3.0% Max, 2.0% Typical	10GΩ or 100ΩF whichever is less, 25°C, VDCW	2.5 X VDCW	3.0% per decade hour	1KHz, 1Vrms 25°C values > or = to 10uF 1.0Vrms 120Hz

### Packaging (Taping)

(Reel Type-Size)



#### Standard Reel

Unit:mm

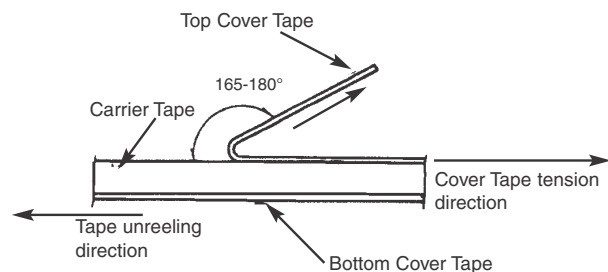
A	B	C	D	E	W	t	R
ø178 ±2.0	ø50 min.	ø13.0 ±0.5	ø21.0 ±0.8	2.0 ±0.5	14.9 ±1.5	0.8 ±0.2	1.0

#### 10000 units per reel OPTIONAL

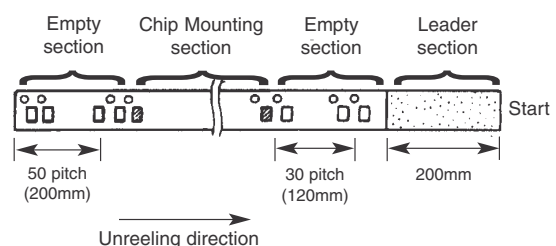
Unit:mm

A	B	C	D	E	W	t	R
ø250 ±2.0	ø50 min.	ø13.0 ±0.5	ø21.0 ±0.8	2.0 ±0.5	10.0 ±1.5	0.8 ±0.2	1.0

#### Carrier Tape (Standard)



- To peel off the cover tape by the method shown in the right figure apply a peel-off force of 20 gf - 60 gf (card board); 35 gf - 75 gf (plastic tape).
- The cover tape should not touch the top or bottom of the chip.
- If the cover tape has been peeled off it may be difficult to remove the chip due to punch-hole clearance, dirt, and debris. Make sure therefore that no paper waste will adhere to and block the absorption nozzle.
- If the cover tape has been peeled off from the top, stick it back on with a suitable adhesive.
- Follow the illustration for the start and end of the winding operation.



## Multilayer Ceramic Chip Capacitors

- Cardboard carrier tape for 0402, 0603 type and 0805/1206 type

Unit: mm

Type A	B W	F E	P <sub>1</sub> P <sub>2</sub>	P <sub>0</sub> D <sub>0</sub>	t <sub>1</sub> t <sub>2</sub>								Mounting Hole	Quantity per Reel
0402	0.7±0.2	1.3±0.2				2.0±0.05							Angular Punch Hole	10000
0603	1.1±0.2	1.9±0.2										4000		
0805	1.65±0.2	2.4±0.2	8.0±0.3	3.5±0.05	1.75±0.1	4.0±0.1	2.0±0.05	4.0±0.1	ø1.5 <sup>+0.1</sup> <sub>-0</sub>	1.1 max	1.4 max	4000 to 5000*		
1206	2.0±0.2	3.6±0.2										4000 to 5000*		

\*Dependent on chip thickness

- Embossed plastic carrier tape for 0805/1206 type and 1210 type

Unit: mm

Type	A	B	W	F	E	P <sub>1</sub>	P <sub>2</sub>	P <sub>0</sub>	D <sub>0</sub>	t <sub>1</sub>	t <sub>2</sub>	Mounting Hole	Quantity per Reel
0805	1.45±0.2	2.3±0.2										Angular Embossed Hole	2000 to 5000*
1206	2.0±0.2	3.6±0.2	8.0±0.3	3.5±0.05	1.75±0.1	4.0±0.1	2.0±0.05	4.0±0.1	ø1.5±0.1 <sub>-0</sub>	0.6 max	2.5 max		2000 to 5000*
1210	2.9±0.2	3.6±0.2											2000 to 4000*

\*Dependent on chip thickness

- Embossed plastic carrier tape for 1812, 1825, 2220 and 2225 type

Unit: mm

Type	A	B	W	F	E	P <sub>1</sub>	P <sub>2</sub>	P <sub>0</sub>	D <sub>0</sub>	t <sub>1</sub>	t <sub>2</sub>	Mounting Hole	Quantity per Reel
1812	3.6±0.2	4.9±0.2										Angular Embossed Hole	
1825	6.8±0.3	4.9±0.2	12.0±0.3	5.5±0.05	1.75±0.1	8.0±0.1	2.0±0.05	4.0±0.1	ø1.5±0.1				1000
2220	5.5±0.3	6.2±0.3							1	0.6 max.	6.5 max.		1000
2225	6.8±0.3	6.2±0.3											1000

\*Dependent on chip thickness

**Tape and Reel Packing Quantities**

Chip Size	178 mm (7") Reel	330 mm (13") Reel
0402	10,000	N/A
0603	4,000	16,000
0805	4,000	12,000
1206	4,000	15,000
1210	2,000 , 4,000	8,000
1812	1,000	4,000
1825	1,000	4,000
2220	1,000	4,000
2225	1,000	4,000

The tape and reel packing quantities apply to voltages up to 200V rating only.

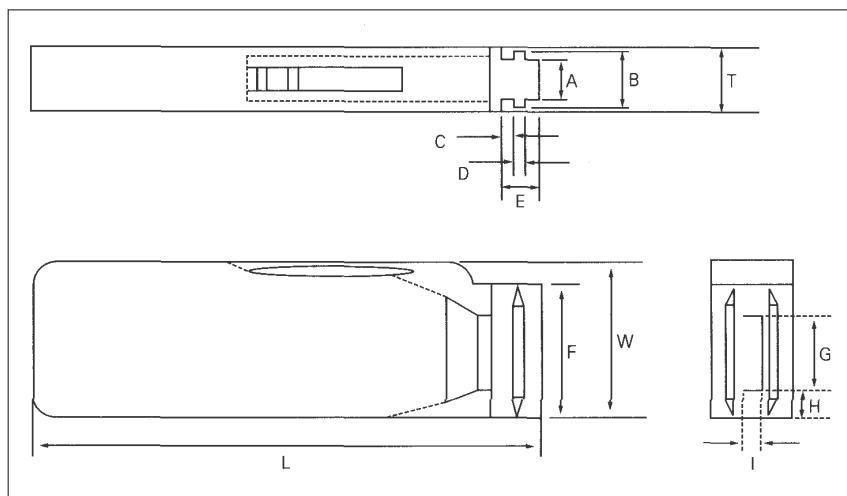
The 0402 and 0603 size chips have similar width and thickness dimensions.

## Multilayer Ceramic Chip Capacitors

### BULK CASE

- Bulk case packaging can reduce the stock space and transportation costs.
- The bulk feeding system can increase the productivity.
- It can eliminate the components loss.

### • Structure and Dimension



Symbol	A	B	T	C	D	E
Dimension	6.8±0.1	8.8±0.1	12±0.1	1.5 <sup>+0.1</sup> , <sub>-0</sub>	2 <sup>+0</sup> , <sub>-0.1</sub>	4.7±0.1

Symbol	F	W	G	H	L	I
Dimension	31.5 <sup>+0.2</sup> , <sub>-0</sub>	36 <sup>+0</sup> , <sub>-0.2</sub>	19±0.35	7±0.35	110±0.7	5±0.35

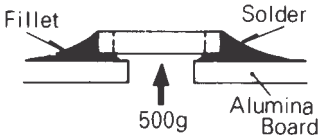
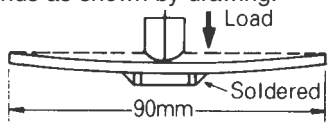
### • Quantity

Size	04(0402)	10(0603)	21(0805)	
			T≤0.85mm	T≥1.0mm
Quantity	80,000	15,000	10,000	5,000



## Multilayer Ceramic Chip Capacitors

### RELIABILITY AND TEST CONDITIONS

Item	Specification	Test Method
<b>Capacitance</b>	Within tolerance shown by part number code	<ul style="list-style-type: none"> <li>Class (I) C&lt;1000pF:1MHz±10%, 0.5 to 5Vrms</li> <li>C≥1000pF:1KHz±10%, 1.0±0.2Vrms</li> <li>Class (II) 1KHz±10%, 1.0±0.2Vrms values &gt; or = to 10uF 1.0Vrms 120Hz</li> </ul>
<b>Dissipation Factor (tanδ or Q)</b>	<ul style="list-style-type: none"> <li>Class (I) C&lt;30pF:Q≥400+20xC C≥30pF:Q≥1000</li> <li>Class (II) X7R:DF≤2.5% Y5V/Z5U:DF≤3.0%</li> </ul>	
<b>Insulation Resistance(IR)</b>	NPO-XR7: C≤50,000pF: IR≥100GΩ C>50,000pF: IR≥500MΩ. Per Uf. Y5V/Z5U: IR≥10GΩ	Apply rated voltage for 60 seconds at room temperature and normal humidity. (70% RH max)
<b>Dielectric Withstanding Voltage</b>	There shall be no evidence of damage or flash over during the test	Apply 3 x rated voltage (Class I) or 2.5 x rated voltage (Class II) to both terminations for 5 seconds. Charge and discharge current are less than 50mA.
<b>Termination Adherence</b>	No mechanical damage	 <p>Care shall be taken to avoid thermal shock. 500g of steady pull is applied in direction of arrow for 1 minute.</p>
<b>Bend Strength</b>	No mechanical damage	<p>After soldering capacitor on the glass-epoxy PWB, 2 mm of vending shall be applied for 10 seconds as shown by drawing.</p> 
<b>Life Test (High Temperature Loading Test)</b>	$\Delta C$ <ul style="list-style-type: none"> <li>Class (I) No more than ±3% or ±0.3pF whichever is less</li> <li>Class (II) X7R:±10% max Y5V/Z5U:±30% max</li> </ul>	Applied 2 x rated voltage at maximum operating temperature for 1000 hours. The surge current shall not exceed 50mA after above testing condition, test samples shall be kept in room temperature for 24 hours (Class I) or 48 hours (Class II), and then shall be measured.
	$Q$ or DF <ul style="list-style-type: none"> <li>Class (I) C&lt;10pF:Q&gt;200+10xC 10≤C&lt;30pF:Q≥275+5/2xC C≥30pF:Q≥350</li> <li>Class (II) X7R:DF≤5.0% Y5V/Z5U:DF≤7.5%</li> </ul>	
	IR <p>1000MΩ or 50ΩF, min whichever is less</p>	

### Multilayer Ceramic Chip Capacitors

**RELIABILITY AND TEST  
CONDITIONS**

Item	Specification	Test Method
<b>Moisture Test</b>	<ul style="list-style-type: none"> <li>Class (I) No more than <math>\pm 5\%</math> or <math>\pm 0.5\text{pF}</math> whichever is larger</li> <li>Class (II) X7R:<math>\pm 10\%</math> Y5V/Z5U:<math>\pm 30\%</math></li> </ul>	<p>The capacitors shall be subjected to <math>40^\circ\text{C}</math>, 90-95%RH for 500 hours.</p> <p>After above testing condition, samples shall be kept in room temperature for 24 hours (Class I) or 48 hours (Class II), and then shall be measured.</p>
	<ul style="list-style-type: none"> <li>Class (I) <math>C &lt; 10\text{pF}</math>:<math>Q &gt; 200 + 10 \times C</math> <math>10 \leq C &lt; 30\text{pF}</math>:<math>Q \geq 275 + 5/2 \times C</math> <math>C \geq 30\text{pF}</math>:<math>Q \geq 350</math></li> <li>Class (II) X7R:DF<math>\leq 5.0\%</math> Y5V/Z5U:DF<math>\leq 7.5\%</math></li> </ul>	
	IR 1000M $\Omega$ or 50 $\Omega\text{F}$ , whichever is less	
<b>Moisture Resistance Test</b>	<ul style="list-style-type: none"> <li>Class (I) No more than <math>\pm 7.5\%</math> or <math>\pm 0.75\text{pF}</math> whichever is larger</li> <li>Class (II) X7R:<math>\pm 10\%</math> Y5V/Z5U:<math>\pm 30\%</math></li> </ul>	<p>Apply rated voltage at <math>40^\circ\text{C}</math>, 90-95%RH for 500 hours.</p> <p>The surge current shall not exceed 50mA. After testing with above condition, samples shall be kept in room temperature for 24 hours (Class I) or 48 hours (Class II), and then shall be measured.</p>
	<ul style="list-style-type: none"> <li>Class (I) <math>C &lt; 30\text{pF}</math>:<math>Q &gt; 100 + 100/3 \times C</math> <math>C \geq 30\text{pF}</math>:<math>Q \geq 200</math></li> <li>Class (II) X7R:DF<math>\leq 5.0\%</math> Y5V/Z5U:DF<math>\leq 7.5\%</math></li> </ul>	
	IR 500M $\Omega$ or 25 $\Omega\text{F}$ , min whichever is less	
<b>Temperature Cycle</b>	<ul style="list-style-type: none"> <li>Class (I) No more than <math>\pm 2.5\%</math> or <math>\pm 0.25\text{pF}</math> whichever is larger</li> <li>Class (II) X7R:<math>\pm 5\%</math> Y5V/Z5U:<math>\pm 20\%</math></li> </ul>	<p>Perform 5 cycles as follow:</p> <ol style="list-style-type: none"> <li>Room temperature. Dwell for 15 minutes.</li> <li>Minimum operating temperature, dwell for 30 minutes.</li> <li>Room temperature, dwell for 30 minutes.</li> <li>Maximum operating temperature, dwell for 30 minutes.</li> </ol> <p>After above testing condition, samples shall be kept in room temperature for 24 hours (Class I) or 48 hours (Class II), and then shall be measured.</p>
	Q or DF To satisfy the specified initial value.	
	IR To satisfy the specified initial value.	
<b>Solderability</b>	Termination area shall be at least 95% covered with a new solder coating. There shall be no crack and ceramic exposure of terminated surface by melting.	The capacitors are completely immersed during $4 \pm 0.5$ seconds in the molten solder with a temperature of $230 \pm 5^\circ\text{C}$ *Solder: Sn 63.
<b>Resistance to Solder Heat Test</b>	<ul style="list-style-type: none"> <li>Class (I) No more than <math>\pm 2.5\%</math> or <math>\pm 0.25\text{pF}</math> whichever is larger</li> <li>Class (II) X7R:<math>\pm 5\%</math> Y5V/Z5U:<math>\pm 20\%</math></li> </ul>	<p>Immerse into molten solder at <math>270 \pm 5^\circ\text{C}</math> for <math>3 \pm 0.5</math> seconds. Preheat before immersion.</p> <ol style="list-style-type: none"> <li><math>80 \sim 100^\circ\text{C}</math> for 2 minutes.</li> <li><math>150 \sim 180^\circ\text{C}</math> for 2 minutes.</li> <li><math>270 \pm 5^\circ\text{C}</math> for <math>3 \pm 0.5</math> seconds.</li> </ol> <p>The capacitance measurement shall be made after sample keeping at room temperature for 24 hours.</p>
	Q or DF To satisfy the specified initial value.	
	IR To satisfy the specified initial value.	

### APPLICATION MANUAL FOR SURFACE MOUNTING

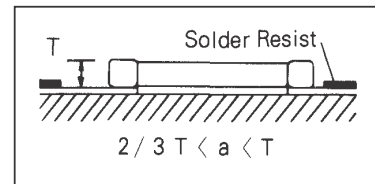
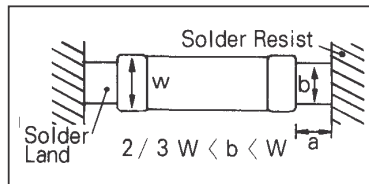
#### 1. Temperature / Humidity Control

Since dew condensation may occur by the differences in temperature when the products are take out of storage, it is important to maintain a temperature-controlled environment.

#### 2. Design of Solder Land Pattern

When designing printed circuit boards, the shape and size of the solder lands must allow for the proper amount of solder on the capacitor. The amount of solder at the end terminations has a direct effect on the probability that the chip will crack. The greater amount of solder, the larger amount of stress on the chip, and the more likely that it will break. Use the following illustrations as guidelines for proper solder land design.

Recommendation of solder land shape and size.



#### 3. Adhesives

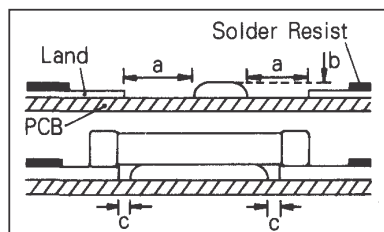
MLCCs generally require the use of an adhesive to adhere the chips to the circuit board prior to wave soldering.

##### 3-1. Requirements for Adhesives

- They must have enough adhesion so that the chips will not fall off or move during the handling of the circuit board.
- They must maintain their adhesive strength when exposed to soldering temperatures.
- They should not spread or run when applied to the circuit board.
- They should have a long pot life.
- They should harden quickly.
- They should not corrode the circuit board or chip material.
- They should be a good insulator.
- They should be non-toxic, and not produce harmful gases, nor be harmful when touched.

##### 3-2. Application Method

It is important to use the proper amount of adhesive. Too little will cause poor adhesion to the circuit board, and too much may strain the conductor pattern, thereby causing defective soldering. The following illustrations show the proper quantity of adhesive.



(Unit: mm)

Type	21	31
a	0.2 min	0.2 min
b	70~100μm	70~100μm
c	>0	>0

##### 3-3. Adhesive Hardening Characteristics

To prevent oxidation of the terminations, the adhesive must harden at 160°C or less, within 2 minutes or less.

Multilayer Ceramic Chip Capacitors

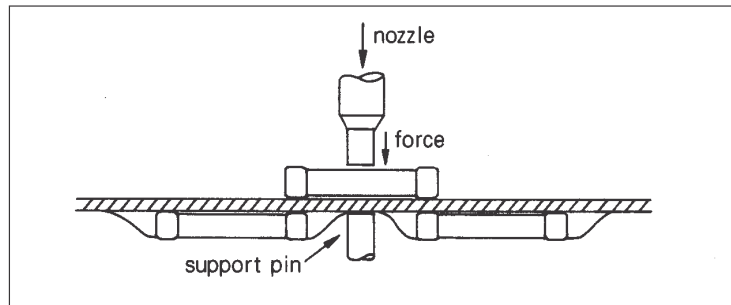
4. Mounting

4-1. Mounting Head Pressure

Excessive pressure will cause chip capacitors to crack. The pressure between nozzle and chip capacitor will be 300g maximum during mounting.

4-2. Bending Stress

Bending of printed circuit board by mounting head when double-sided circuit boards are used, chip capacitors first are mounted and soldered onto one side of the board. When the capacitors are mounted onto the other side, it is important to support the board as shown in the illustration. If the circuit board is not supported, it may bend, causing the already installed capacitors to crack.



5. Flux

Although highly activated flux gives better solderability, substances which increase activity may also degrade the insulation of the chip capacitors. To avoid such degradation, it is recommended that a mildly activated rosin flux (less than 0.2% chlorine) be used.

6. Soldering

Since a multilayer chip ceramic capacitor comes into direct contact with melted solder during soldering, it is exposed to potentially damaging mechanical stress caused by the sudden temperature change. The capacitor may also be subject to silver migration, and to contamination by the flux. Because of these factors, soldering technique is critical.

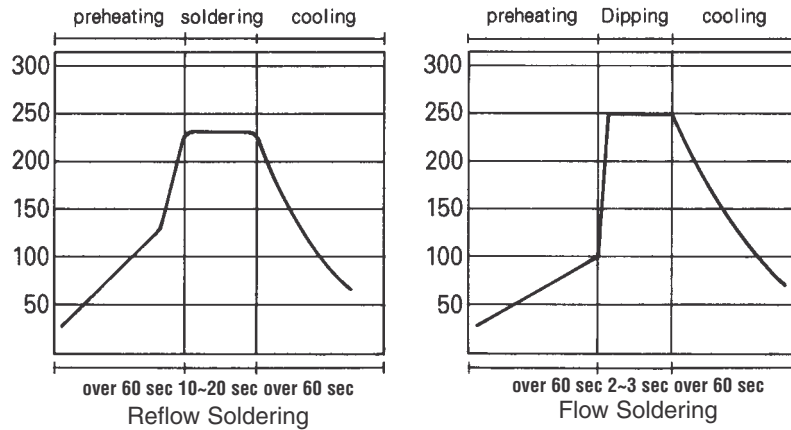
6-1. Soldering Methods

Method	Classification	
Reflow Soldering	Mass reflow	<ul style="list-style-type: none"> <li>• IR/Convection</li> <li>• VPS (Vapor phase)</li> </ul>
	Selective reflow	<ul style="list-style-type: none"> <li>• Hot air/gas</li> <li>• Laser</li> </ul>
Flow Soldering	Dual Wave	

6-2. Soldering Profile

To avoid the crack problem by sudden temperature change, follow the temperature profile in the adjacent graph.

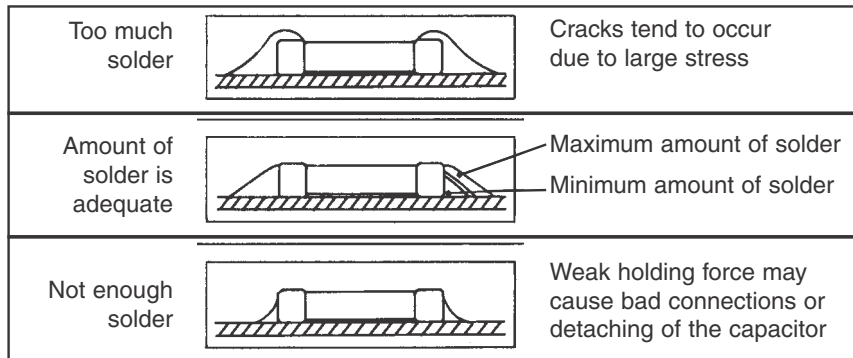
Multilayer Ceramic Chip Capacitors



6-3. Manual Soldering

Manual Soldering can pose a great risk of creating thermal cracks in chip capacitors. The hot soldering iron tip comes into direct contact with the end terminations, and operator's carelessness may cause the tip of the soldering iron to come into direct contact with the ceramic body of the capacitor. Therefore the soldering iron must be handled carefully, and close attention must be paid to the selection of the soldering iron tip and to temperature control of the tip.

6-4. Amount of Solder



6-5. Cooling

Natural cooling using air is recommended. If the chips are dipped into solvent for cleaning, the temperature difference ( $\Delta T$ ) must be less than 100°C.

6-6. Cleaning

If rosin flux is used, cleaning usually is unnecessary. When strongly activated flux is used, chlorine in the flux may dissolve into some types of cleaning fluids, thereby affecting the chip capacitors. This means that the cleaning fluid must be carefully selected, and should always be new.

7. Notes for Separating Multiple, Shared PC Boards

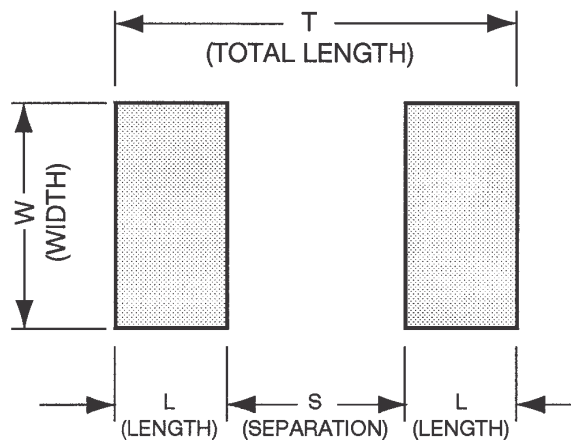
A multi-PC board is separated into many individual circuit boards after soldering has been completed. If the board is bent or distorted at the time of separation, cracks may occur in the chip capacitors. Carefully choose a separation method that minimizes the bending of the circuit board.

APPLICATION INFORMATION ON SOLDER PAD DESIGN  
FOR SURFACE MOUNT CHIP CAPACITOR

Recommended Pad Dimensions

Chip Size	Dimensions (inches)			
	L	W	S	T
0402*	0.021	0.022	0.017	0.059
0603*	0.035	0.030	0.030	0.100
0805	0.040	0.050	0.040	0.120
1206	0.040	0.065	0.080	0.160
1210	0.040	0.100	0.080	0.160
1812*	0.050	0.120	0.130	0.230
1825*	0.050	0.250	0.130	0.230
2220	0.050	0.250	0.130	0.230
2225*	0.050	0.250	0.170	0.270
3640*	0.060	0.400	0.300	0.420

\*These sizes are recommended for use with IR and vapor phase soldering only.



**NOTICE:** Specifications are subject to change without notice. Contact your nearest Cal-Chip Sales Office for the latest specifications. All statements, information and data given herein are believed to be accurate and reliable, but are presented without guarantee, warranty, or responsibility of any kind, expressed or implied. Statements or suggestions concerning possible use of our products are made without representation or warranty that any such use is free of patent infringement and are not recommendations to infringe any patent. The user should not assume that all safety measures are indicated or that other measures may not be required. Specifications are typical and may not apply to all applications.