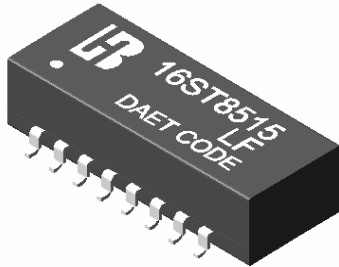


10/100 BASE-T TRANSFORMER

P/N:16ST8515 LF DATA SHEET

Page : 1/2

Feature



- Designed for 10/100 MB/s transmission over UTP-5 cable.
- Cable interface for isolation and low common mode Emissions.
- 16-PIN SMD package, pick and place compatible.
- Comply with RoHS requirements-whole part No Cd, No Hg, No Cr6⁺, No PBB and PBDE and No Pb on external pins.
- Operating temperature range: 0 to +70 .
- Storage temperature range: -25 to +125 .

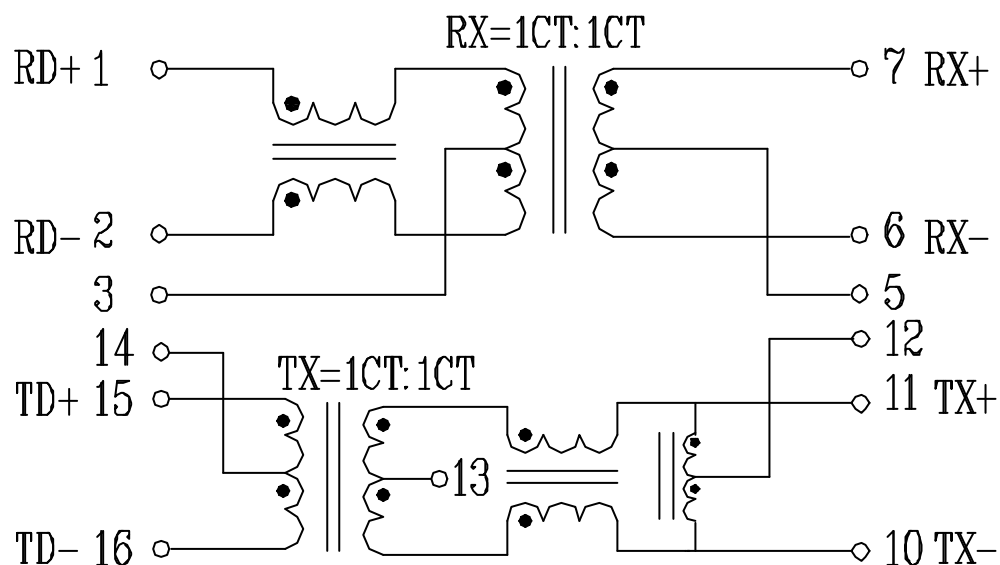
Electrical Specifications @ 25° C

Part Number	Turns Ratio (±5%)		OCL (uH Min) @100KHz/0.1V with 8mA DC Bias	C _{www} (pF Max)	L.L. (uH Max)	HI-POT (Vrms)
	TX	RX				
16ST8515 LF	1CT:1CT	1CT:1CT	350	28	0.6	1500

Continue

Part Number	Insertion Loss (dB Max)	Return Loss (dB Min)					Cross talk (dB Min)		DCMR TX/RX(dB Min)		
		0.3-100MHz	30MHz	40MHz	50MHz	60MHz	80MHz	0.3-60MHz	60-100MHz	30MHz	60MHz
16ST8515 LF	-1.15	-16	-14	-13.5	-13	-12	-45	-35	-42/-40	-35/-30	-28/-25

Schematic

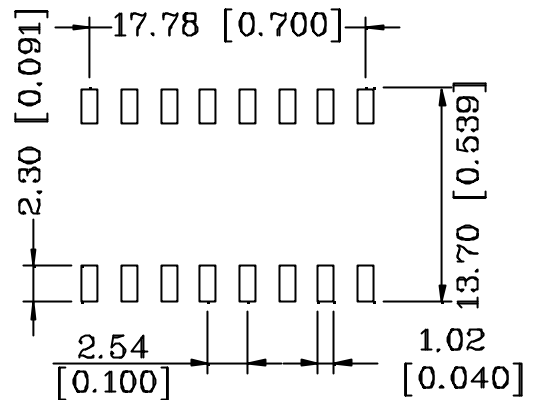
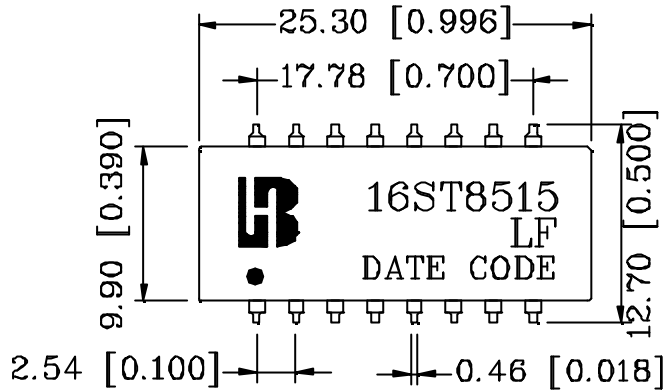


A6(07/11)

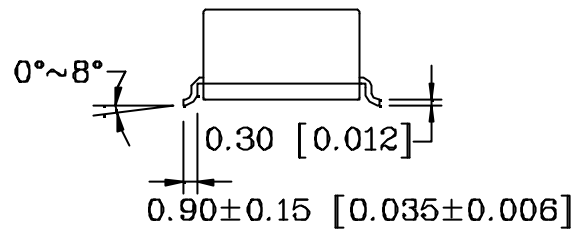
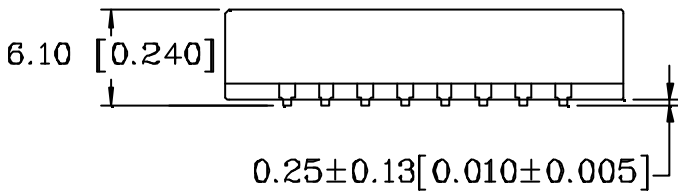
10/100 BASE-T TRANSFORMER

P/N:16ST8515 LF DATA SHEET

Mechanical



SUGGESTED PAD LAYOUT



Units: mm [Inches] Tolerances: xx.x0±0.25 [0.010]

0.xx±0.05 [0.002]