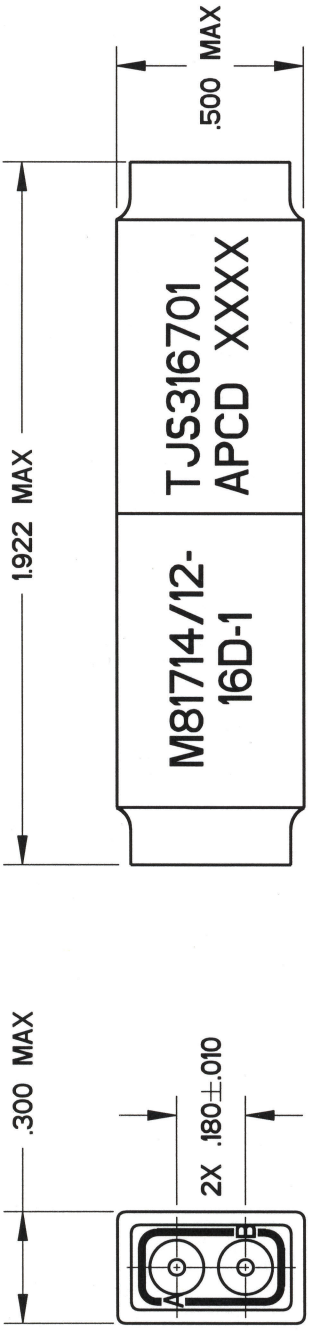
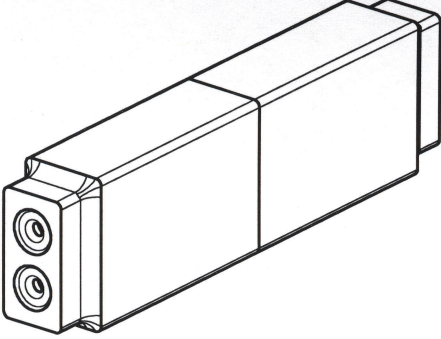


REV	ECN	APP'D
-	5882	<i>JT 2/1/06</i>



- NOTES:
- PART MEETS ALL REQUIREMENTS OF MIL-T-81714/12
  - MATERIALS:  
GROMMET - SILICONE RUBBER, COLOR: BLUE  
INSULATOR - THERMOPLASTIC  
INTERNAL CONTACT - COPPER ALLOY  
CONTACT RETAINER CLIPS - STAINLESS STEEL ALLOY  
MODULE ACCEPTS M39029/1-102 PIN CONTACTS, SEE TABLE.

PART NO.	DESCRIPTION	P/N MARKING
TJS316601	CONTACTS NOT SUPPLIED	TJS316701
TJS316701	FIVE (5) CNP037000 INCLUDED	

TITLE	
TERMINAL JUNCTION SPLICE DOUBLE BUSSED, SIZE 16	

SIZE	DWG NO.
A	TJS316601_C
CODE:	SCALE:
58982	2:1
SHEET 1 OF 1	

<h2>Amphenol Pcd</h2> <p>SPECIFICATION DRAWING</p>	
DRWN	R. SWAINE 07/06/06
ENGR	<i>[Signature]</i> 7/13/06
APPD	<i>[Signature]</i> 2/12/06

DIMENSIONS	TOLERANCES	PROJECTION
ANSI Y14.5M	.XX ±0.01	
UNITS: INCHES	.XXX ±0.005	
Pro/E FILE	ANGLES ±0.5°	
<p>THIS DOCUMENT CONTAINS PROPRIETARY INFORMATION WHICH IS THE CONFIDENTIAL PROPERTY OF AMPHENOL PCD INC., PEABODY, MA</p>		