

PRODUCT NO.  
73725

PRODUCT NUMBER CODE  
73725-X X X X C X X F

HOUSING COLOR OPTION  
0-WHITE  
1-BLACK

SENSOR CONTACT OPTION  
0-WITH SENSOR CONTACT  
1-WITHOUT SENSOR CONTACT

SHIELD PLATING OPTION  
1-1.25µm MINIMUM NICKEL UNDERPLATE & 2.5µm MINIMUM BRIGHT TIN OVER ALL AREA.  
(HOLD DOWN STYLE "A")

2-1.25µm MINIMUM NICKEL UNDERPLATED OVER ALL; 2.5µm MINIMUM MATTE TIN PLATED ON HOLD DOWN AREA ONLY.(HOLD DOWN STYLE "B")

3-1.25µm MINIMUM NICKEL UNDERPLATED OVER ALL; 2.5µm MINIMUM MATTE TIN PLATED ON HOLD DOWN AREA ONLY.(HOLD DOWN STYLE "A")

4-1.25µm MINIMUM NICKEL UNDERPLATED & 2.5µm MINIMUM BRIGHT TIN OVER ALL AREA.  
(HOLD DOWN STYLE "B")

5-1.25µm MINIMUM NICKEL UNDERPLATED OVER ALL; 2.5µm MINIMUM MATTE TIN PLATED ON HOLD DOWN AREA ONLY.(HOLD DOWN STYLE "C")

6-1.25µm MINIMUM NICKEL ONLY.  
(HOLD DOWN STYLE "A")

7-1.25µm MINIMUM NICKEL UNDERPLATED & 2.5µm MINIMUM MATTE TIN PLATED OVER ALL.  
(HOLD DOWN STYLE "A")

8-1.25µm MINIMUM NICKEL UNDERPLATED & 2.5µm MINIMUM MATTE TIN PLATED ALL AREA.  
(HOLD DOWN STYLE "B")

9-1.25µm MINIMUM NICKEL UNDERPLATED OVER ALL; 2.5µm MINIMUM MATTE TIN PLATED ON HOLD DOWN AREA ONLY.(HOLD DOWN STYLE "B")

S-1.25µm MINIMUM NICKEL ONLY.(HOLD DOWN STYLE "A")  
HIGH PERFORMANCE MATERIAL FOR 12,000 DURABILITY CYCLES

A-1.25µm MINIMUM NICKEL PLATED OVER ALL.  
2.5µm MINIMUM MATTE (HOLD DOWN STYLE "F")

B-1.25µm MINIMUM NICKEL PLATED OVER ALL.  
2.5µm MINIMUM MATTE TIN PLATED ON HOLD DOWN AREA ONLY (HOLD DOWN STYLE "F")

TERMINAL OPTION  
50µ" NI UNDERPLATE; 30µ" GXT CONTACT AREA;100µ" TIN TAIL AREA;

0- DIM "A": 2.29 (TERMINAL TAIL LENGTH);  
1- DIM "A": 3.71 (TERMINAL TAIL LENGTH);

NOTES:

1. MATERIAL:  
CONTACTS: COPPER ALLOY  
SHIELD: COPPER ALLOY  
HOUSING: UL 94V-0 THERMOPLASTIC, COLOR: SEE PRODUCT CODE

2. PLATING:  
CONTACTS: GOLD FLASH OVER PALLADIUM NICKEL (0.76µm MINIMUM) IN CONTACT AREA; 2.5 µm TIN MINIMUM IN SOLDER TAIL AREA.  
1.27 µm MINIMUM NICKEL UNDERPLATE OVER ALL SURFACES.  
SHIELD: SEE PRODUCT NUMBER CODE.  
(THE PLATING MEASURE POINT ON THE SHIELD HOLD DOWN AREA ONLY).

3. DATUMS & BASIC DIMENSIONS TO BE DETERMINED BY CUSTOMER

4. RECOMMENDED PCB BOARD THICKNESS IS 1.00 ~ 1.60mm EXCEPT 73725-1191BLF; 73725-1191BLF CAN BE USED FOR THE PCB BOARD THICKNESS 2.30 ~2.65mm.

5. MAXIMUM PANEL THICKNESS TO BE 2.67mm IF MOUNTED BEHIND PANEL

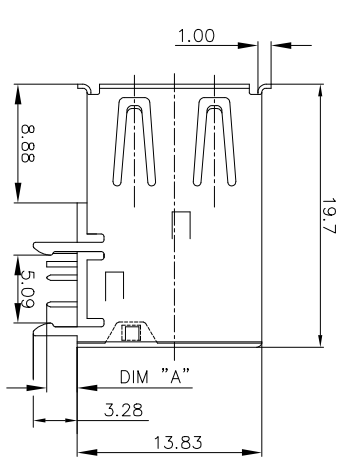
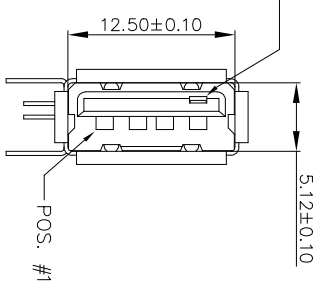
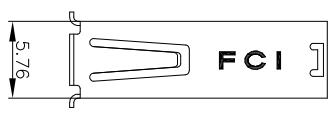
6. METAL SHELL SLIVER 0.20 MAX.

7. NI PLATING DOES NOT COMPLY WITH THE USB STANDARDS (TO BE CONTINUED)

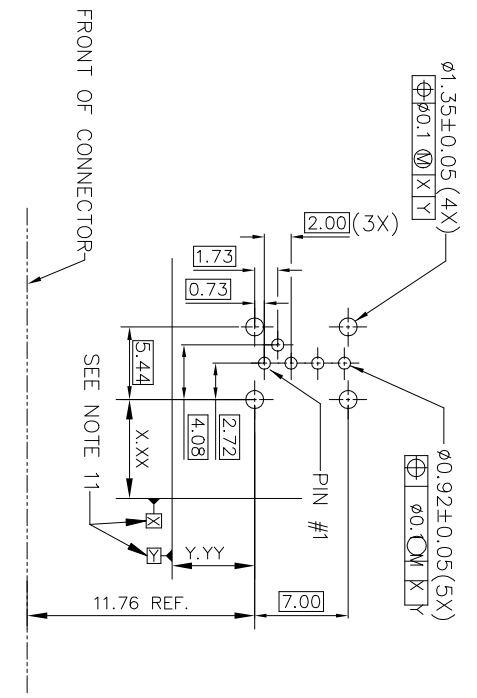
LEAD FREE OPTION  
SEE NOTE 9

PACKAGING OPTION  
B - TUBE  
R - TAPE&REEL

SPECIAL CODE FOR CISCO



FOR 73725-XXXXB  
HOLD DOWN STYLE "A"



PC BOARD MOUNTING DIMENSIONS FOR 5 PIN

FRONT OF CONNECTOR

SEE NOTE 11

WITH SENSOR CONTACT



mat'l. code	ecr no	dr	date	surface1,2,3	tolerance	projection	product family
AJ	EIX-N-27708	LZ	2017/08/15	ISO 1302	ISO 406 ISO	110°	HPL 511 USB 2.0
AK	EIX-N-34783	YY	2019/09/19	tolerances unless otherwise specified		mm	
AE	EIX-N-13463A	ZH	11/4/2012	0±.2		0.00±.10	scale 1:1
AF	EIX-N-14592A	HAN	06/10/2013	eng	PAMP	5/20/97	
AG	EIX-N-21594	LQ	08/04/2015	chr	R Y LIU	5/20/97	
AH	EIX-N-21919	LQ	08/04/2015	ppp	JENN TSAO	5/20/97	

title	product family	type	Product Customer Drawing
USB UP-RIGHT RECEPT	HPL 511 USB 2.0	type	Product Customer Drawing

dwg no	sheet 1 of 4	size
73725	1	A3

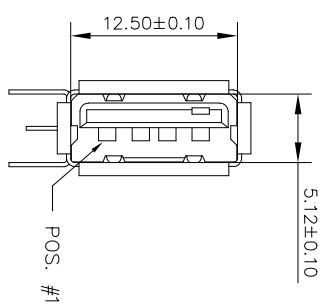
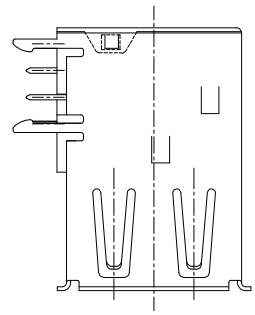
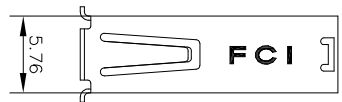
PRODUCT NO.  
73725

(CONTINUED)

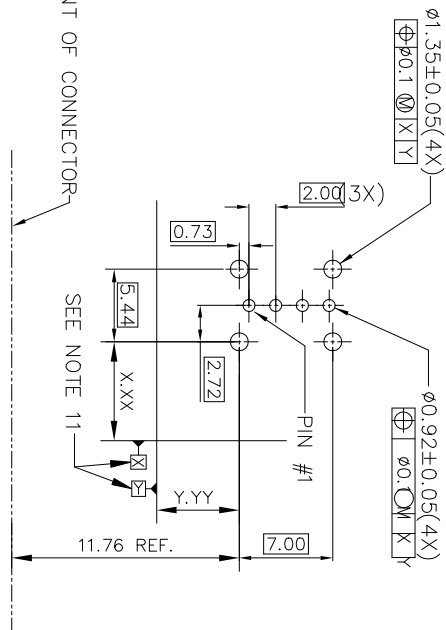
8. P/N'S WITH SUFFIX "LF" ARE LEAD FREE P/N'S FOR LEAD FREE P/N, THE PRODUCT MEET EUROPEAN UNION DIRECTIVES AND OTHER COUNTRY REGULATION AS DESCRIBED IN GS-22-008

FOR THE PRODUCTS WITH THE METAL SHELL PLATING NICKEL AND MATTE SN CAN WITHSTAND EXPOSURE TO 260°C PEAK TEMPERATURE FOR 40 SECONDS IN A CONVECTION, INFRA-RED OR VAPOR PHASE REFLOW PROCESS; FOR THE PRODUCTS WITH METAL SHELL PLATING BRIGHT SN OR SEMI-BRIGHT SN CAN'T WITHSTAND REFLOW AND JUST CAN WITHSTAND EXPOSURE TO 260°C PEAK TEMPERATURE FOR 10 SECONDS IN WAVE SOLDERING PROCESS.

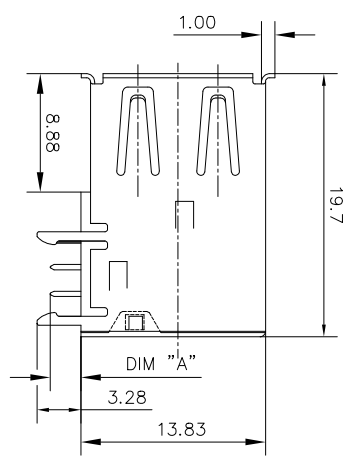
- 11. FOR ALL LEAD FREE P/N'S, WITH SUFFIX LF.
- 12. THE PRODUCT CAN BE USED FOR PIP PROCESS
- 13. DATUM OF CUSTOMER'S PCB LAYOUT.



WITHOUT SENSOR CONTACT



PC BOARD MOUNTING DIMENSIONS FOR 4 PIN

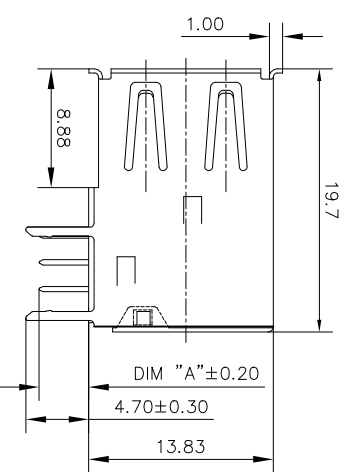
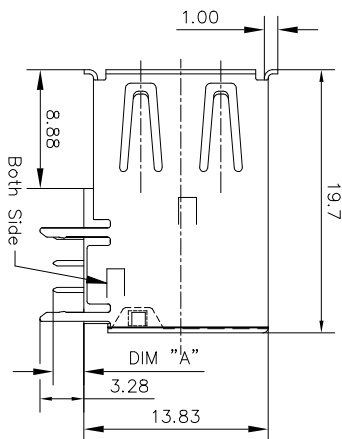
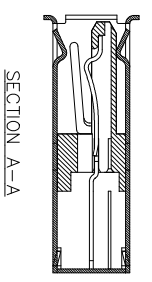
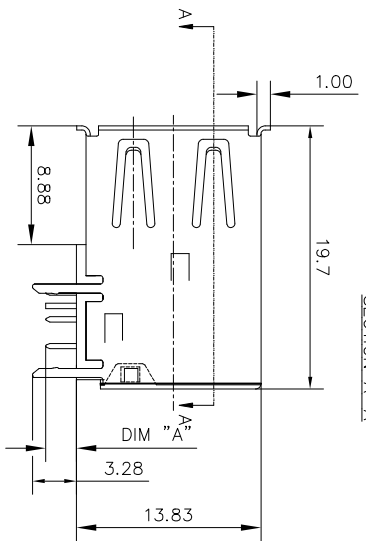
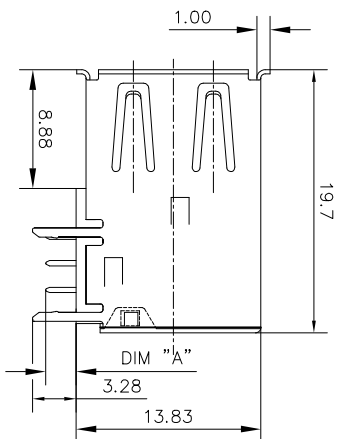
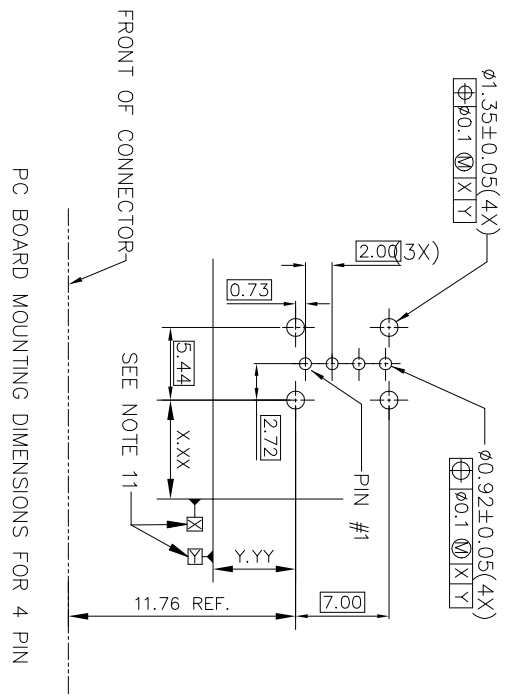


FOR 73725-X1X0B  
HOLD DOWN STYLE "A"



mat'l. code	surfc123	tolerance	projection	product family
tr ecn no dr	ISO 1302	ISO 406 ISO	1107	HPL 511 USB 2.0
AK	tolerances unless otherwise specified		mm	USB UP-RIGHT RECEIPT
angles	0±.30		scale 1:1	
line	0±.2	.00±.20		
dr	PAMP	5/20/97		dwg no
eng	R Y LIU	5/20/97		73725
chr	R Y LIU	5/20/97		sheet 2 of 4
sheet	qppd JENN TSAO	5/20/97		size
index				A3

PRODUCT NO.  
73725

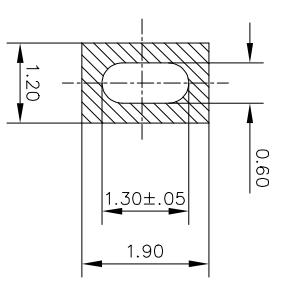
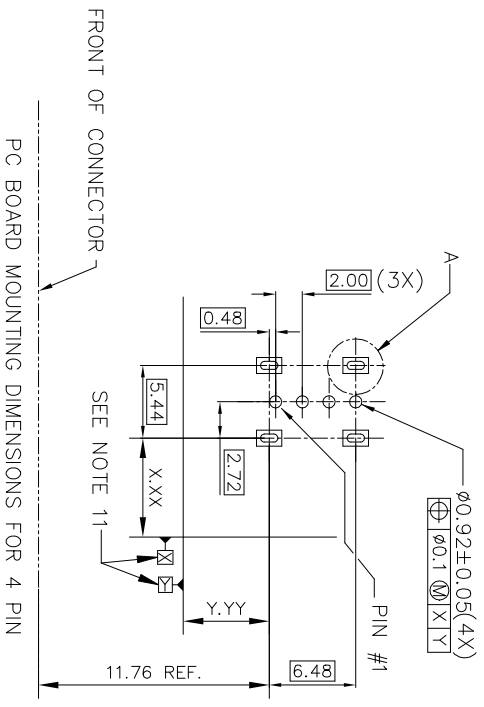


WITHOUT SENSOR CONTACT  
FOR 73725-XXA0XLF ONLY  
HOLD DOWN STYLE "F"

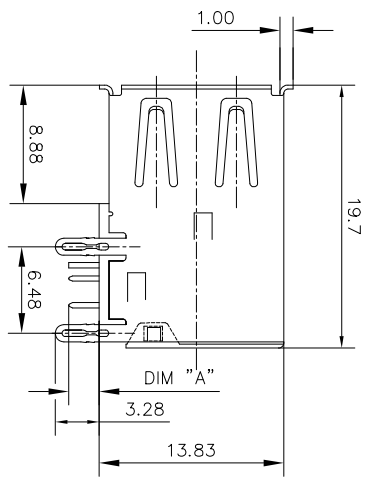
WITHOUT SENSOR CONTACT  
FOR 73725-X191XLF  
HOLD DOWN STYLE "D"

mat'l. code	ISO 1302	tolerance	ISO 406	ISO 1101	projection	product family
tr ecn no dr	ISO 1302	tolerances unless otherwise specified	ISO 406	ISO 1101	1101	HPL 511 USB 2.0
AK	AK	angles	0±.30	mm	scale 1:1	USB UP-RIGHT RECEIPT
		linear	.00±.20			
		dr	.000±.10			
		eng	PAMP	5/20/97		dwg no
		chr	R Y LIU	5/20/97		73725
			R Y LIU	5/20/97		sheet 3 of 4
			qppd JENN TSAO	5/20/97		size
sheet index	revision					A3
						type Product Customer Drawing

PRODUCT NO.  
73725



DETAIL A 5 : 1



WITHOUT SENSOR CONTACT  
FOR 73725-X150B  
HOLD DOWN STYLE "C"

Form: A3-2016-02-24

PDS: Rev: AK

STATUS: Released Printed: Sep 23, 2019

mat'l. code		surface <sup>1,2,3</sup> tolerance	ISO 1302	ISO 406	ISO 1101	projection	product family
ltr ecn no	dr	date	tolerances unless otherwise specified	ISO 1101	scale 1:1	mm	HPL 511 USB 2.0
AK			angles: linear .00±.20	0±.30			USB UP-RIGHT
			0±.2°	.000±.10			RECEPT
	dr	PAMP	5/20/97	5/20/97			dwg no
	eng	R Y LIU	5/20/97	5/20/97			73725
	chr	R Y LIU	5/20/97	5/20/97			sheet 4 of 4
		qppd JENN TSAO	5/20/97				size
							A3
sheet	revision						type
index	sheet						Product Customer Drawing